

MPC750UM/AD  
8/97

# MPC750

RISC Microprocessor User's Manual


***PowerPC***



© Motorola Inc, 1997. All rights reserved.  
Portions hereof © International Business Machines Corp. 1991-1997. All rights reserved.

This document contains information on a new product under development. Motorola reserves the right to change or discontinue this product without notice. Information in this document is provided solely to enable system and software implementers to use PowerPC microprocessors. There are no express or implied copyright licenses granted hereunder to design or fabricate PowerPC integrated circuits or integrated circuits based on the information in this document.

Motorola reserves the right to make changes without further notice to any products herein. Motorola makes no warranty, representation or guarantee regarding the suitability of its products for any particular purpose, nor does Motorola assume any liability arising out of the application or use of any product or circuit, and specifically disclaims any and all liability, including without limitation consequential or incidental damages. "Typical" parameters can and do vary in different applications. All operating parameters, including "Typicals" must be validated for each customer application by customer's technical experts. Motorola does not convey any license under its patent rights nor the rights of others. Motorola products are not designed, intended, or authorized for use as components in systems intended for surgical implant into the body, or other applications intended to support or sustain life, or for any other application in which the failure of the Motorola product could create a situation where personal injury or death may occur. Should Buyer purchase or use Motorola products for any such unintended or unauthorized application, Buyer shall indemnify and hold Motorola and its officers, employees, subsidiaries, affiliates, and distributors harmless against all claims, costs, damages, and expenses, and reasonable attorney fees arising out of, directly or indirectly, any claim of personal injury or death associated with such unintended or unauthorized use, even if such claim alleges that Motorola was negligent regarding the design or manufacture of the part.

Motorola and  are registered trademarks of Motorola, Inc. Motorola, Inc. is an Equal Opportunity/Affirmative Action Employer.

The PowerPC name, PowerPC logotype, PowerPC 601, PowerPC 603, PowerPC 603e, PowerPC 604, PowerPC 604e, and PowerPC 620 are trademarks of International Business Machines Corporation used by Motorola under license from International Business Machines Corporation.

Overview	1
MPC750 Processor Programming Model	2
L1 Instruction and Data Cache Operation	3
Exceptions	4
Memory Management	5
Instruction Timing	6
Signal Descriptions	7
System Interface Operation	8
L2 Cache Interface Operation	9
Power and Thermal Management	10
Performance Monitor	11
PowerPC Instruction Set Listings	A
Instructions Not Implemented	B
Glossary of Terms and Abbreviations	GLO
Index	IND

<b>1</b>	Overview
<b>2</b>	MPC750 Processor Programming Model
<b>3</b>	L1 Instruction and Data Cache Operation
<b>4</b>	Exceptions
<b>5</b>	Memory Management
<b>6</b>	Instruction Timing
<b>7</b>	Signal Descriptions
<b>8</b>	System Interface Operation
<b>9</b>	L2 Cache Interface Operation
<b>10</b>	Power and Thermal Management
<b>11</b>	Performance Monitor
<b>A</b>	PowerPC Instruction Set Listings
<b>B</b>	Instructions Not Implemented
<b>GLO</b>	Glossary of Terms and Abbreviations
<b>IND</b>	Index

# CONTENTS

Paragraph Number	Title	Page Number
	Audience .....	xxix
	Organization.....	xxix
	Suggested Reading.....	xxx
	Conventions .....	xxxiii
	Acronyms and Abbreviations .....	xxxiv
	Terminology Conventions .....	xxxvii
<b>Chapter 1</b>		
<b>Overview</b>		
1.1	MPC750 Microprocessor Overview .....	1-1
1.2	MPC750 Microprocessor Features .....	1-4
1.2.1	Overview of the MPC750 Microprocessor Features .....	1-4
1.2.2	Instruction Flow .....	1-7
1.2.2.1	Instruction Queue and Dispatch Unit .....	1-8
1.2.2.2	Branch Processing Unit (BPU).....	1-8
1.2.2.3	Completion Unit .....	1-9
1.2.2.4	Independent Execution Units.....	1-10
1.2.2.4.1	Integer Units (IUs).....	1-10
1.2.2.4.2	Floating-Point Unit (FPU) .....	1-10
1.2.2.4.3	Load/Store Unit (LSU) .....	1-11
1.2.2.4.4	System Register Unit (SRU).....	1-11
1.2.3	Memory Management Units (MMUs).....	1-12
1.2.4	On-Chip Instruction and Data Caches .....	1-13
1.2.5	L2 Cache Implementation (Not Supported in the MPC740) .....	1-14
1.2.6	System Interface/Bus Interface Unit (BIU) .....	1-15
1.2.7	Signals.....	1-16
1.2.8	Signal Configuration.....	1-17
1.2.9	Clocking.....	1-19
1.3	MPC750 Microprocessor: Implementation.....	1-19
1.4	PowerPC Registers and Programming Model .....	1-21
1.5	Instruction Set .....	1-26
1.5.1	PowerPC Instruction Set.....	1-27
1.5.2	MPC750 Microprocessor Instruction Set .....	1-28

# CONTENTS

Paragraph Number	Title	Page Number
1.6	On-Chip Cache Implementation .....	1-29
1.6.1	PowerPC Cache Model.....	1-29
1.6.2	MPC750 Microprocessor Cache Implementation .....	1-29
1.7	Exception Model.....	1-29
1.7.1	PowerPC Exception Model .....	1-29
1.7.2	MPC750 Microprocessor Exception Implementation .....	1-31
1.8	Memory Management.....	1-32
1.8.1	PowerPC Memory Management Model.....	1-33
1.8.2	MPC750 Microprocessor Memory Management Implementation.....	1-33
1.9	Instruction Timing .....	1-34
1.10	Power Management .....	1-36
1.11	Thermal Management.....	1-37
1.12	Performance Monitor.....	1-38

## Chapter 2 MPC750 Processor Programming Model

2.1	The MPC750 Processor Register Set.....	2-1
2.1.1	Register Set.....	2-1
2.1.2	MPC750-Specific Registers .....	2-8
2.1.2.1	Instruction Address Breakpoint Register (IABR) .....	2-8
2.1.2.2	Hardware Implementation-Dependent Register 0 .....	2-9
2.1.2.3	Hardware Implementation-Dependent Register 1 .....	2-13
2.1.2.4	Performance Monitor Registers.....	2-14
2.1.2.4.1	Monitor Mode Control Register 0 (MMCR0).....	2-14
2.1.2.4.2	User Monitor Mode Control Register 0 (UMMCR0) .....	2-15
2.1.2.4.3	Monitor Mode Control Register 1 (MMCR1).....	2-16
2.1.2.4.4	User Monitor Mode Control Register 1 (UMMCR1) .....	2-16
2.1.2.4.5	Performance Monitor Counter Registers (PMC1–PMC4).....	2-16
2.1.2.4.6	User Performance Monitor Counter Registers (UPMC1–UPMC4).....	2-20
2.1.2.4.7	Sampled Instruction Address Register (SIA) .....	2-20
2.1.2.4.8	User Sampled Instruction Address Register (USIA).....	2-20
2.1.2.4.9	Sampled Data Address Register (SDA) and User Sampled Data Address Register (USDA) .....	2-20
2.1.3	Instruction Cache Throttling Control Register (ICTC) .....	2-21
2.1.4	Thermal Management Registers (THRM1–THRM3) .....	2-21
2.1.5	L2 Cache Control Register (L2CR).....	2-24
2.1.6	Reset Settings .....	2-27
2.2	Operand Conventions .....	2-28
2.2.1	Floating-Point Execution Models—UISA .....	2-28
2.2.2	Data Organization in Memory and Data Transfers .....	2-28
2.2.3	Alignment and Misaligned Accesses.....	2-29

# CONTENTS

Paragraph Number	Title	Page Number
2.2.4	Floating-Point Operand.....	2-29
2.3	Instruction Set Summary.....	2-31
2.3.1	Classes of Instructions.....	2-32
2.3.1.1	Definition of Boundedly Undefined.....	2-33
2.3.1.2	Defined Instruction Class.....	2-33
2.3.1.3	Illegal Instruction Class.....	2-33
2.3.1.4	Reserved Instruction Class.....	2-34
2.3.2	Addressing Modes.....	2-35
2.3.2.1	Memory Addressing.....	2-35
2.3.2.2	Memory Operands.....	2-35
2.3.2.3	Effective Address Calculation.....	2-35
2.3.2.4	Synchronization.....	2-36
2.3.2.4.1	Context Synchronization.....	2-36
2.3.2.4.2	Execution Synchronization.....	2-36
2.3.2.4.3	Instruction-Related Exceptions.....	2-37
2.3.3	Instruction Set Overview.....	2-37
2.3.4	PowerPC UISA Instructions.....	2-38
2.3.4.1	Integer Instructions.....	2-38
2.3.4.1.1	Integer Arithmetic Instructions.....	2-38
2.3.4.1.2	Integer Compare Instructions.....	2-39
2.3.4.1.3	Integer Logical Instructions.....	2-40
2.3.4.1.4	Integer Rotate and Shift Instructions.....	2-40
2.3.4.2	Floating-Point Instructions.....	2-41
2.3.4.2.1	Floating-Point Arithmetic Instructions.....	2-42
2.3.4.2.2	Floating-Point Multiply-Add Instructions.....	2-42
2.3.4.2.3	Floating-Point Rounding and Conversion Instructions.....	2-43
2.3.4.2.4	Floating-Point Compare Instructions.....	2-43
2.3.4.2.5	Floating-Point Status and Control Register Instructions.....	2-44
2.3.4.2.6	Floating-Point Move Instructions.....	2-44
2.3.4.3	Load and Store Instructions.....	2-45
2.3.4.3.1	Self-Modifying Code.....	2-45
2.3.4.3.2	Integer Load and Store Address Generation.....	2-46
2.3.4.3.3	Register Indirect Integer Load Instructions.....	2-46
2.3.4.3.4	Integer Store Instructions.....	2-47
2.3.4.3.5	Integer Store Gathering.....	2-48
2.3.4.3.6	Integer Load and Store with Byte-Reverse Instructions.....	2-49
2.3.4.3.7	Integer Load and Store Multiple Instructions.....	2-49
2.3.4.3.8	Integer Load and Store String Instructions.....	2-50
2.3.4.3.9	Floating-Point Load and Store Address Generation.....	2-51
2.3.4.3.10	Floating-Point Store Instructions.....	2-51

# CONTENTS

Paragraph Number	Title	Page Number
2.3.4.4	Branch and Flow Control Instructions .....	2-53
2.3.4.4.1	Branch Instruction Address Calculation.....	2-53
2.3.4.4.2	Branch Instructions .....	2-54
2.3.4.4.3	Condition Register Logical Instructions .....	2-54
2.3.4.4.4	Trap Instructions .....	2-55
2.3.4.5	System Linkage Instruction—UISA .....	2-55
2.3.4.6	Processor Control Instructions—UISA .....	2-56
2.3.4.6.1	Move to/from Condition Register Instructions .....	2-56
2.3.4.6.2	Move to/from Special-Purpose Register Instructions (UISA) .....	2-56
2.3.4.7	Memory Synchronization Instructions—UISA.....	2-59
2.3.5	PowerPC VEA Instructions .....	2-60
2.3.5.1	Processor Control Instructions—VEA .....	2-60
2.3.5.2	Memory Synchronization Instructions—VEA .....	2-61
2.3.5.3	Memory Control Instructions—VEA.....	2-62
2.3.5.3.1	User-Level Cache Instructions—VEA.....	2-62
2.3.5.4	Optional External Control Instructions .....	2-64
2.3.6	PowerPC OEA Instructions .....	2-65
2.3.6.1	System Linkage Instructions—OEA .....	2-65
2.3.6.2	Processor Control Instructions—OEA .....	2-65
2.3.6.3	Memory Control Instructions—OEA .....	2-66
2.3.6.3.1	Supervisor-Level Cache Management Instruction—(OEA) .....	2-66
2.3.6.3.2	Segment Register Manipulation Instructions (OEA) .....	2-67
2.3.6.3.3	Translation Lookaside Buffer Management Instructions—(OEA) .....	2-67
2.3.7	Recommended Simplified Mnemonics .....	2-68

## Chapter 3 L1 Instruction and Data Cache Operation

3.1	Data Cache Organization.....	3-3
3.2	Instruction Cache Organization .....	3-4
3.3	Memory and Cache Coherency .....	3-5
3.3.1	Memory/Cache Access Attributes (WIMG Bits) .....	3-6
3.3.2	MEI Protocol .....	3-7
3.3.2.1	MEI Hardware Considerations.....	3-9
3.3.3	Coherency Precautions in Single Processor Systems.....	3-10
3.3.4	Coherency Precautions in Multiprocessor Systems .....	3-10
3.3.5	MPC750-Initiated Load/Store Operations.....	3-10
3.3.5.1	Performed Loads and Stores.....	3-11
3.3.5.2	Sequential Consistency of Memory Accesses.....	3-11
3.3.5.3	Atomic Memory References .....	3-11



# CONTENTS

Paragraph Number	Title	Page Number
3.4	Cache Control.....	3-13
3.4.1	Cache Control Parameters in H1D0.....	3-13
3.4.1.1	Data Cache Flash Invalidation .....	3-13
3.4.1.2	Data Cache Enabling/Disabling .....	3-13
3.4.1.3	Data Cache Locking .....	3-14
3.4.1.4	Instruction Cache Flash Invalidation .....	3-14
3.4.1.5	Instruction Cache Enabling/Disabling .....	3-14
3.4.1.6	Instruction Cache Locking .....	3-15
3.4.2	Cache Control Instructions.....	3-15
3.4.2.1	Data Cache Block Touch ( <b>dcbt</b> ) and Data Cache Block Touch for Store ( <b>dcbst</b> ) .....	3-15
3.4.2.2	Data Cache Block Zero ( <b>dcbz</b> ) .....	3-16
3.4.2.3	Data Cache Block Store ( <b>dcbst</b> ) .....	3-16
3.4.2.4	Data Cache Block Flush ( <b>dcbf</b> ) .....	3-17
3.4.2.5	Data Cache Block Invalidate ( <b>dcbi</b> ).....	3-17
3.4.2.6	Instruction Cache Block Invalidate ( <b>icbi</b> ).....	3-17
3.5	Cache Operations .....	3-18
3.5.1	Cache Block Replacement/Castout Operations .....	3-18
3.5.2	Cache Flush Operations .....	3-21
3.5.3	Data Cache-Block-Fill Operations .....	3-21
3.5.4	Instruction Cache-Block-Fill Operations .....	3-21
3.5.5	Data Cache-Block-Push Operation .....	3-22
3.5.5.1	Enveloped High-Priority Cache-Block-Push Operation .....	3-22
3.6	L1 Caches and 60x Bus Transactions .....	3-22
3.6.1	Read Operations and the MEI Protocol .....	3-23
3.6.2	Bus Operations Caused by Cache Control Instructions .....	3-24
3.6.3	Snooping .....	3-25
3.6.4	Snoop Response to 60x Bus Transactions .....	3-26
3.6.5	Transfer Attributes .....	3-28
3.7	Bus Interface .....	3-30
3.8	MEI State Transactions .....	3-32

## Chapter 4 Exceptions

4.1	MPC750 Microprocessor Exceptions.....	4-2
4.2	Exception Recognition and Priorities.....	4-4
4.3	Exception Processing .....	4-7
4.3.1	Enabling and Disabling Exceptions .....	4-10
4.3.2	Steps for Exception Processing .....	4-10
4.3.3	Setting MSR[RI] .....	4-11
4.3.4	Returning from an Exception Handler .....	4-11

# CONTENTS

Paragraph Number	Title	Page Number
4.4	Process Switching.....	4-12
4.5	Exception Definitions.....	4-12
4.5.1	System Reset Exception (0x00100).....	4-13
4.5.2	Machine Check Exception (0x00200).....	4-14
4.5.2.1	Machine Check Exception Enabled (MSR[ME] = 1) .....	4-16
4.5.2.2	Checkstop State (MSR[ME] = 0) .....	4-16
4.5.3	DSI Exception (0x00300).....	4-17
4.5.4	ISI Exception (0x00400) .....	4-17
4.5.5	External Interrupt Exception (0x00500).....	4-17
4.5.6	Alignment Exception (0x00600) .....	4-18
4.5.7	Program Exception (0x00700) .....	4-18
4.5.8	Floating-Point Unavailable Exception (0x00800).....	4-19
4.5.9	Decrementer Exception (0x00900).....	4-19
4.5.10	System Call Exception (0x00C00) .....	4-19
4.5.11	Trace Exception (0x00D00) .....	4-19
4.5.12	Floating-Point Assist Exception (0x00E00).....	4-20
4.5.13	Performance Monitor Interrupt (0x00F00).....	4-20
4.5.14	Instruction Address Breakpoint Exception (0x01300).....	4-21
4.5.15	System Management Interrupt (0x01400).....	4-22
4.5.16	Thermal Management Interrupt Exception (0x01700).....	4-24

## Chapter 5 Memory Management

5.1	MMU Overview .....	5-2
5.1.1	Memory Addressing .....	5-4
5.1.2	MMU Organization .....	5-4
5.1.3	Address Translation Mechanisms.....	5-9
5.1.4	Memory Protection Facilities .....	5-11
5.1.5	Page History Information .....	5-12
5.1.6	General Flow of MMU Address Translation.....	5-12
5.1.6.1	Real Addressing Mode and Block Address Translation Selection.....	5-12
5.1.6.2	Page Address Translation Selection .....	5-14
5.1.7	MMU Exceptions Summary .....	5-16
5.1.8	MMU Instructions and Register Summary.....	5-18
5.2	Real Addressing Mode .....	5-20
5.3	Block Address Translation .....	5-21
5.4	Memory Segment Model .....	5-21
5.4.1	Page History Recording.....	5-21
5.4.1.1	Referenced Bit.....	5-22
5.4.1.2	Changed Bit.....	5-23
5.4.1.3	Scenarios for Referenced and Changed Bit Recording .....	5-23

# CONTENTS

Paragraph Number	Title	Page Number
5.4.2	Page Memory Protection.....	5-25
5.4.3	TLB Description.....	5-25
5.4.3.1	TLB Organization.....	5-25
5.4.3.2	TLB Invalidation.....	5-27
5.4.4	Page Address Translation Summary.....	5-28
5.4.5	Page Table Search Operation.....	5-30
5.4.6	Page Table Updates.....	5-34
5.4.7	Segment Register Updates.....	5-34

## Chapter 6 Instruction Timing

6.1	Terminology and Conventions.....	6-1
6.2	Instruction Timing Overview.....	6-3
6.3	Timing Considerations.....	6-7
6.3.1	General Instruction Flow.....	6-8
6.3.2	Instruction Fetch Timing.....	6-11
6.3.2.1	Cache Arbitration.....	6-11
6.3.2.2	Cache Hit.....	6-11
6.3.2.3	Cache Miss.....	6-14
6.3.2.4	L2 Cache Access Timing Considerations (MPC750 Only).....	6-15
6.3.3	Instruction Dispatch and Completion Considerations.....	6-16
6.3.3.1	Rename Register Operation.....	6-17
6.3.3.2	Instruction Serialization.....	6-17
6.4	Execution Unit Timings.....	6-18
6.4.1	Branch Processing Unit Execution Timing.....	6-18
6.4.1.1	Branch Folding and Removal of Fall-Through Branch Instructions.....	6-18
6.4.1.2	Branch Instructions and Completion.....	6-20
6.4.1.3	Branch Prediction and Resolution.....	6-21
6.4.1.3.1	Static Branch Prediction.....	6-22
6.4.1.3.2	Predicted Branch Timing Examples.....	6-22
6.4.2	Integer Unit Execution Timing.....	6-24
6.4.3	Floating-Point Unit Execution Timing.....	6-24
6.4.4	Effect of Floating-Point Exceptions on Performance.....	6-25
6.4.5	Load/Store Unit Execution Timing.....	6-25
6.4.6	Effect of Operand Placement on Performance.....	6-25
6.4.7	Integer Store Gathering.....	6-26
6.4.8	System Register Unit Execution Timing.....	6-27
6.5	Memory Performance Considerations.....	6-27
6.5.1	Caching and Memory Coherency.....	6-27
6.5.2	Effect of TLB Miss.....	6-28

# CONTENTS

Paragraph Number	Title	Page Number
6.6	Instruction Scheduling Guidelines.....	6-29
6.6.1	Branch, Dispatch, and Completion Unit Resource Requirements .....	6-29
6.6.1.1	Branch Resolution Resource Requirements .....	6-30
6.6.1.2	Dispatch Unit Resource Requirements.....	6-30
6.6.1.3	Completion Unit Resource Requirements .....	6-30
6.7	Instruction Latency Summary .....	6-31

## Chapter 7 Signal Descriptions

7.1	Signal Configuration.....	7-3
7.2	Signal Descriptions.....	7-4
7.2.1	Address Bus Arbitration Signals .....	7-4
7.2.1.1	Bus Request ( $\overline{BR}$ )—Output .....	7-4
7.2.1.2	Bus Grant ( $\overline{BG}$ )—Input .....	7-4
7.2.1.3	Address Bus Busy ( $\overline{ABB}$ ).....	7-5
7.2.1.3.1	Address Bus Busy ( $\overline{ABB}$ )—Output.....	7-5
7.2.1.3.2	Address Bus Busy ( $\overline{ABB}$ )—Input .....	7-5
7.2.2	Address Transfer Start Signals .....	7-6
7.2.2.1	Transfer Start ( $\overline{TS}$ ).....	7-6
7.2.2.1.1	Transfer Start ( $\overline{TS}$ )—Output.....	7-6
7.2.2.1.2	Transfer Start ( $\overline{TS}$ )—Input .....	7-6
7.2.3	Address Transfer Signals.....	7-6
7.2.3.1	Address Bus (A[0–31]) .....	7-7
7.2.3.1.1	Address Bus (A[0–31])—Output .....	7-7
7.2.3.1.2	Address Bus (A[0–31])—Input .....	7-7
7.2.3.2	Address Bus Parity (AP[0–3]).....	7-7
7.2.3.2.1	Address Bus Parity (AP[0–3])—Output .....	7-7
7.2.3.2.2	Address Bus Parity (AP[0–3])—Input .....	7-8
7.2.4	Address Transfer Attribute Signals .....	7-8
7.2.4.1	Transfer Type (TT[0–4]).....	7-8
7.2.4.1.1	Transfer Type (TT[0–4])—Output.....	7-8
7.2.4.1.2	Transfer Type (TT[0–4])—Input.....	7-8
7.2.4.2	Transfer Size (TSIZ[0–2])—Output.....	7-11
7.2.4.3	Transfer Burst ( $\overline{TBST}$ ).....	7-12
7.2.4.3.1	Transfer Burst ( $\overline{TBST}$ )—Output .....	7-12
7.2.4.3.2	Transfer Burst ( $\overline{TBST}$ )—Input .....	7-12
7.2.4.4	Cache Inhibit ( $\overline{CI}$ )—Output .....	7-12
7.2.4.5	Write-Through ( $\overline{WT}$ )—Output.....	7-13
7.2.4.6	Global ( $\overline{GBL}$ ).....	7-13
7.2.4.6.1	Global ( $\overline{GBL}$ )—Output .....	7-13
7.2.4.6.2	Global ( $\overline{GBL}$ )—Input .....	7-13

# CONTENTS

Paragraph Number	Title	Page Number
7.2.5	Address Transfer Termination Signals.....	7-13
7.2.5.1	Address Acknowledge ( $\overline{\text{AACK}}$ )—Input .....	7-14
7.2.5.2	Address Retry ( $\overline{\text{ARTRY}}$ ) .....	7-14
7.2.5.2.1	Address Retry ( $\overline{\text{ARTRY}}$ )—Output .....	7-14
7.2.5.2.2	Address Retry ( $\overline{\text{ARTRY}}$ )—Input .....	7-15
7.2.6	Data Bus Arbitration Signals .....	7-15
7.2.6.1	Data Bus Grant ( $\overline{\text{DBG}}$ )—Input .....	7-15
7.2.6.2	Data Bus Write Only ( $\overline{\text{DBWO}}$ )—Input .....	7-16
7.2.6.3	Data Bus Busy ( $\overline{\text{DBB}}$ ) .....	7-16
7.2.6.3.1	Data Bus Busy ( $\overline{\text{DBB}}$ )—Output .....	7-16
7.2.6.3.2	Data Bus Busy ( $\overline{\text{DBB}}$ )—Input .....	7-16
7.2.7	Data Transfer Signals .....	7-17
7.2.7.1	Data Bus (DH[0–31], DL[0–31]).....	7-17
7.2.7.1.1	Data Bus (DH[0–31], DL[0–31])—Output.....	7-17
7.2.7.1.2	Data Bus (DH[0–31], DL[0–31])—Input .....	7-18
7.2.7.2	Data Bus Parity (DP[0–7]).....	7-18
7.2.7.2.1	Data Bus Parity (DP[0–7])—Output.....	7-18
7.2.7.2.2	Data Bus Parity (DP[0–7])—Input .....	7-18
7.2.7.3	Data Bus Disable ( $\overline{\text{DBDIS}}$ )—Input .....	7-19
7.2.8	Data Transfer Termination Signals .....	7-19
7.2.8.1	Transfer Acknowledge ( $\overline{\text{TA}}$ )—Input .....	7-19
7.2.8.2	Data Retry ( $\overline{\text{DRTRY}}$ )—Input.....	7-20
7.2.8.3	Transfer Error Acknowledge ( $\overline{\text{TEA}}$ )—Input .....	7-20
7.2.9	System Status Signals .....	7-21
7.2.9.1	Interrupt ( $\overline{\text{INT}}$ )—Input .....	7-21
7.2.9.2	System Management Interrupt ( $\overline{\text{SMI}}$ )—Input.....	7-21
7.2.9.3	Machine Check Interrupt ( $\overline{\text{MCP}}$ )—Input .....	7-21
7.2.9.4	Checkstop Input ( $\overline{\text{CKSTP\_IN}}$ )—Input.....	7-22
7.2.9.5	Checkstop Output ( $\overline{\text{CKSTP\_OUT}}$ )—Output .....	7-22
7.2.9.6	Reset Signals .....	7-23
7.2.9.6.1	Hard Reset ( $\overline{\text{HRESET}}$ )—Input .....	7-23
7.2.9.6.2	Soft Reset ( $\overline{\text{SRESET}}$ )—Input.....	7-23
7.2.9.7	Processor Status Signals.....	7-23
7.2.9.7.1	Quiescent Request ( $\overline{\text{QREQ}}$ )—Output.....	7-24
7.2.9.7.2	Quiescent Acknowledge ( $\overline{\text{QACK}}$ )—Input .....	7-24
7.2.9.7.3	Reservation ( $\overline{\text{RSRV}}$ )—Output .....	7-24
7.2.9.7.4	Time Base Enable (TBEN)—Input.....	7-24
7.2.9.7.5	TLBI Sync ( $\overline{\text{TLBISYNC}}$ )—Input .....	7-25
7.2.9.7.6	L2 Cache Interface .....	7-25
7.2.9.8	L2 Address (L2ADDR[16–0])—Output .....	7-25
7.2.9.9	L2 Data (L2DATA[0–63]).....	7-25
7.2.9.9.1	L2 Data (L2DATA[0–63])—Output.....	7-25
7.2.9.9.2	L2 Data (L2DATA[0–63])—Input .....	7-26

# CONTENTS

Paragraph Number	Title	Page Number
7.2.9.10	L2 Data Parity (L2DP[0–7]).....	7-26
7.2.9.10.1	L2 Data Parity (L2DP[0–7])—Output .....	7-26
7.2.9.10.2	L2 Data Parity (L2DP[0–7])—Input .....	7-26
7.2.9.11	L2 Chip Enable (L2CE)—Output .....	7-26
7.2.9.12	L2 Write Enable (L2WE)—Output .....	7-27
7.2.9.13	L2 Clock Out A (L2CLK_OUTA)—Output .....	7-27
7.2.9.14	L2 Clock Out B (L2CLK_OUTB)—Output .....	7-27
7.2.9.15	L2 Sync Out (L2SYNC_OUT)—Output .....	7-27
7.2.9.16	L2 Sync In (L2SYNC_IN)—Input .....	7-28
7.2.9.17	L2 Low-Power Mode Enable (L2ZZ)—Output .....	7-28
7.2.10	IEEE 1149.1a-1993 Interface Description .....	7-28
7.2.11	Clock Signals.....	7-29
7.2.11.1	System Clock (SYSCLK)—Input .....	7-29
7.2.11.2	Clock Out (CLK_OUT)—Output .....	7-29
7.2.11.3	PLL Configuration (PLL_CFG[0–3])—Input.....	7-30
7.2.12	Power and Ground Signals .....	7-30

## Chapter 8 System Interface Operation

8.1	MPC750 System Interface Overview .....	8-1
8.1.1	Operation of the Instruction and Data L1 Caches .....	8-2
8.1.2	Operation of the L2 Cache .....	8-4
8.1.3	Operation of the System Interface .....	8-4
8.1.4	Direct-Store Accesses.....	8-5
8.2	Memory Access Protocol.....	8-6
8.2.1	Arbitration Signals.....	8-8
8.2.2	Address Pipelining and Split-Bus Transactions .....	8-9
8.3	Address Bus Tenure.....	8-10
8.3.1	Address Bus Arbitration .....	8-10
8.3.2	Address Transfer .....	8-12
8.3.2.1	Address Bus Parity .....	8-13
8.3.2.2	Address Transfer Attribute Signals .....	8-13
8.3.2.2.1	Transfer Type (TT[0–4]) Signals .....	8-13
8.3.2.2.2	Transfer Size (TSIZ[0–2]) Signals.....	8-13
8.3.2.2.3	Write-Through (WT) Signal.....	8-14
8.3.2.2.4	Cache Inhibit (CI) Signal .....	8-14
8.3.2.3	Burst Ordering During Data Transfers .....	8-15
8.3.2.4	Effect of Alignment in Data Transfers .....	8-15
8.3.2.4.1	Alignment of External Control Instructions .....	8-17
8.3.3	Address Transfer Termination.....	8-17

# CONTENTS

Paragraph Number	Title	Page Number
8.4	Data Bus Tenure.....	8-19
8.4.1	Data Bus Arbitration .....	8-19
8.4.1.1	Using the $\overline{DBB}$ Signal .....	8-20
8.4.2	Data Bus Write Only .....	8-21
8.4.3	Data Transfer.....	8-21
8.4.4	Data Transfer Termination .....	8-22
8.4.4.1	Normal Single-Beat Termination.....	8-22
8.4.4.2	Data Transfer Termination Due to a Bus Error.....	8-26
8.4.5	Memory Coherency—MEI Protocol.....	8-26
8.5	Timing Examples .....	8-28
8.6	Optional Bus Configuration .....	8-34
8.6.1	No- $\overline{DRTRY}$ Mode.....	8-34
8.7	Interrupt, Checkstop, and Reset Signals.....	8-35
8.7.1	External Interrupts.....	8-35
8.7.2	Checkstops .....	8-35
8.7.3	Reset Inputs.....	8-35
8.7.4	System Quiesce Control Signals .....	8-35
8.8	Processor State Signals.....	8-36
8.8.1	Support for the <b>lwarx/stwex</b> . Instruction Pair .....	8-36
8.8.2	TLBISYNC Input.....	8-36
8.9	IEEE 1149.1a-1993 Compliant Interface .....	8-37
8.9.1	JTAG/COP Interface.....	8-37
8.10	Using Data Bus Write Only .....	8-37

## Chapter 9 L2 Cache Interface Operation

9.1	L2 Cache Interface Overview .....	9-1
9.1.1	L2 Cache Operation .....	9-2
9.1.2	L2 Cache Control Register (L2CR) .....	9-4
9.1.3	L2 Cache Initialization.....	9-6
9.1.4	L2 Cache Global Invalidation .....	9-7
9.1.5	L2 Cache Test Features and Methods .....	9-7
9.1.5.1	L2CR Support for L2 Cache Testing .....	9-7
9.1.5.2	L2 Cache Testing .....	9-8
9.1.6	L2 Clock Configuration .....	9-9
9.1.7	L2 Cache SRAM Timing Examples .....	9-9
9.1.7.1	Flow-Through Burst SRAM .....	9-9
9.1.7.2	Pipelined Burst SRAM.....	9-11
9.1.7.3	Late-Write SRAM.....	9-12

# CONTENTS

Paragraph Number	Title	Page Number
<b>Chapter 10</b>		
<b>Power and Thermal Management</b>		
10.1	Dynamic Power Management .....	10-1
10.2	Programmable Power Modes.....	10-1
10.2.1	Power Management Modes .....	10-2
10.2.1.1	Full-Power Mode with DPM Disabled.....	10-2
10.2.1.2	Full-Power Mode with DPM Enabled.....	10-2
10.2.1.3	Doze Mode .....	10-3
10.2.1.4	Nap Mode .....	10-3
10.2.1.5	Sleep Mode.....	10-4
10.2.2	Power Management Software Considerations.....	10-5
10.3	Thermal Assist Unit.....	10-6
10.3.1	Thermal Assist Unit Overview .....	10-6
10.3.2	Thermal Assist Unit Operation.....	10-8
10.3.2.1	TAU Single Threshold Mode .....	10-8
10.3.2.2	TAU Dual-Threshold Mode .....	10-9
10.3.2.3	MPC750 Junction Temperature Determination .....	10-10
10.3.2.4	Power Saving Modes and TAU Operation.....	10-10
10.4	Instruction Cache Throttling.....	10-10
<b>Chapter 11</b>		
<b>Performance Monitor</b>		
11.1	Performance Monitor Interrupt.....	11-2
11.2	Special-Purpose Registers Used by Performance Monitor.....	11-3
11.2.1	Performance Monitor Registers.....	11-3
11.2.1.1	Monitor Mode Control Register 0 (MMCR0).....	11-3
11.2.1.2	User Monitor Mode Control Register 0 (UMMCR0) .....	11-5
11.2.1.3	Monitor Mode Control Register 1 (MMCR1).....	11-5
11.2.1.4	User Monitor Mode Control Register 1 (UMMCR1) .....	11-6
11.2.1.5	Performance Monitor Counter Registers (PMC1–PMC4) .....	11-6
11.2.1.6	User Performance Monitor Counter Registers (UPMC1–UPMC4).....	11-10
11.2.1.7	Sampled Instruction Address Register (SIA) .....	11-10
11.2.1.8	User Sampled Instruction Address Register (USIA).....	11-10
11.3	Event Counting .....	11-11
11.4	Event Selection .....	11-12
11.5	Warnings.....	11-12



# CONTENTS

Paragraph Number	Title	Page Number
<b>Appendix A</b>		
<b>PowerPC Instruction Set Listings</b>		
A.1	Instructions Sorted by Mnemonic .....	A-1
A.2	Instructions Sorted by Opcode .....	A-9
A.3	Instructions Grouped by Functional Categories.....	A-17
A.4	Instructions Sorted by Form.....	A-29
A.5	Instruction Set Legend .....	A-41

## **Appendix B** **Instructions Not Implemented**

## **Glossary of Terms and Abbreviations**



## ILLUSTRATIONS

Figure Number	Title	Page Number
1-1	MPC750 Microprocessor Block Diagram .....	1-3
1-2	Cache Organization.....	1-13
1-3	System Interface.....	1-16
1-4	MPC750 Microprocessor Signal Groups .....	1-18
1-5	MPC750 Microprocessor Programming Model—Registers.....	1-23
1-6	Pipeline Diagram .....	1-34
2-1	Programming Model—MPC750 Microprocessor Registers.....	2-2
2-2	Instruction Address Breakpoint Register .....	2-9
2-3	Hardware Implementation-Dependent Register 0 (HID0).....	2-9
2-4	Hardware Implementation-Dependent Register 1 (HID1).....	2-13
2-5	Monitor Mode Control Register 0 (MMCR0) .....	2-14
2-6	Monitor Mode Control Register 1 (MMCR1) .....	2-16
2-7	Performance Monitor Counter Registers (PMC1–PMC4).....	2-16
2-8	Sampled instruction Address Registers (SIA) .....	2-20
2-9	Instruction Cache Throttling Control Register (ICTC).....	2-21
2-10	Thermal Management Registers 1–2 (THRM1–THRM2) .....	2-22
2-11	Thermal Management Register 3 (THRM3).....	2-23
2-12	L2 Cache Control Register (L2CR) .....	2-24
3-1	Cache Integration .....	3-2
3-2	Data Cache Organization .....	3-4
3-3	Instruction Cache Organization .....	3-5
3-4	MEI Cache Coherency Protocol—State Diagram (WIM = 001).....	3-8
3-5	PLRU Replacement Algorithm.....	3-19
3-6	Double-Word Address Ordering—Critical Double Word First.....	3-23
3-7	Bus Interface Address Buffers .....	3-31
4-1	Machine Status Save/Restore Register 0 (SRR0) .....	4-7
4-2	Machine Status Save/Restore Register 1 (SRR1) .....	4-7
4-3	Machine State Register (MSR) .....	4-8
5-1	MMU Conceptual Block Diagram—32-Bit Implementations.....	5-6
5-2	MPC750 Microprocessor IMMU Block Diagram .....	5-7
5-3	MPC750 Microprocessor DMMU Block Diagram.....	5-8
5-4	Address Translation Types .....	5-10
5-5	General Flow of Address Translation (Real Addressing Mode and Block) .....	5-13
5-6	General Flow of Page and Direct-Store Interface Address Translation .....	5-15
5-7	Segment Register and DTLB Organization .....	5-26
5-8	Page Address Translation Flow—TLB Hit.....	5-29

## ILLUSTRATIONS

Figure Number	Title	Page Number
5-9	Primary Page Table Search.....	5-32
5-10	Secondary Page Table Search Flow.....	5-33
6-1	Pipelined Execution Unit.....	6-4
6-2	Superscalar/Pipeline Diagram.....	6-5
6-3	MPC750 Microprocessor Pipeline Stages.....	6-7
6-4	Instruction Flow Diagram.....	6-10
6-5	Instruction Timing—Cache Hit.....	6-12
6-6	Instruction Timing—Cache Miss.....	6-15
6-7	Branch Folding.....	6-19
6-8	Removal of Fall-Through Branch Instruction.....	6-19
6-9	Branch Completion.....	6-20
6-10	Branch Instruction Timing.....	6-23
7-1	MPC750 Signal Groups.....	7-3
8-1	MPC750 Microprocessor Block Diagram.....	8-3
8-2	Timing Diagram Legend.....	8-6
8-3	Overlapping Tenures on the MPC750 Bus for a Single-Beat Transfer.....	8-7
8-4	Address Bus Arbitration.....	8-10
8-5	Address Bus Arbitration Showing Bus Parking.....	8-11
8-6	Address Bus Transfer.....	8-13
8-7	Snooped Address Cycle with $\overline{\text{ARTRY}}$ .....	8-19
8-8	Data Bus Arbitration.....	8-20
8-9	Normal Single-Beat Read Termination.....	8-23
8-10	Normal Single-Beat Write Termination.....	8-23
8-11	Normal Burst Transaction.....	8-24
8-12	Termination with $\overline{\text{DRTRY}}$ .....	8-25
8-13	Read Burst with $\overline{\text{TA}}$ Wait States and $\overline{\text{DRTRY}}$ .....	8-25
8-14	MEI Cache Coherency Protocol—State Diagram (WIM = 001).....	8-27
8-15	Fastest Single-Beat Reads.....	8-28
8-16	Fastest Single-Beat Writes.....	8-29
8-17	Single-Beat Reads Showing Data-Delay Controls.....	8-30
8-18	Single-Beat Writes Showing Data Delay Controls.....	8-31
8-19	Burst Transfers with Data Delay Controls.....	8-32
8-20	Use of Transfer Error Acknowledge ( $\overline{\text{TEA}}$ ).....	8-33
8-21	IEEE 1149.1a-1993 Compliant Boundary Scan Interface.....	8-37
8-22	Data Bus Write Only Transaction.....	8-38
9-1	Typical 1-Mbyte L2 Cache Configuration.....	9-2
9-2	Burst Read-Write-Read L2 Cache Access (Flow-Through).....	9-10
9-3	Burst Read-Modify-Write L2 Cache Access (Flow-Through).....	9-10
9-4	Burst Read-Write-Write L2 Cache Access (Flow-Through).....	9-11
9-5	Burst Read-Write-Read L2 Cache Access (Pipelined).....	9-11
9-6	Burst Read-Modify-Write L2 Cache Access (Pipelined).....	9-12
9-7	Burst Read-Write-Write L2 Cache Access (Pipelined).....	9-12
9-8	Burst Read-Write-Read L2 Cache Access (Late-Write SRAM).....	9-13

## ILLUSTRATIONS

<b>Figure Number</b>	<b>Title</b>	<b>Page Number</b>
9-9	Burst Read-Modify-Write L2 Cache Access (Late-Write SRAM).....	9-13
9-10	Burst Read-Write-Write L2 Cache Access (Late-Write SRAM) .....	9-14
10-1	Thermal Assist Unit Block Diagram.....	10-6
11-1	Monitor Mode Control Register 0 (MMCR0) .....	11-4
11-2	Monitor Mode Control Register 1 (MMCR1) .....	11-5
11-3	Performance Monitor Counter Registers (PMC1–PMC4).....	11-6
11-4	Sampled instruction Address Registers (SIA) .....	11-10



## TABLES

Table Number	Title	Page Number
i	Acronyms and Abbreviated Terms.....	xxxiv
ii	Terminology Conventions.....	xxxvii
iii	Instruction Field Conventions.....	xxxviii
1-1	Architecture-Defined Registers on the MPC750 (Excluding SPRs).....	1-24
1-2	Architecture-Defined SPRs Implemented by the MPC750.....	1-25
1-3	MPC750-Specific Registers.....	1-26
1-4	MPC750 Microprocessor Exception Classifications.....	1-31
1-5	Exceptions and Conditions.....	1-31
2-1	Additional MSR Bits.....	2-4
2-2	Additional SRR1 Bits.....	2-6
2-3	Instruction Address Breakpoint Register Bit Settings.....	2-9
2-4	HID0 Bit Functions.....	2-9
2-5	HID0[BCLK] and HID0[ECLK] CLK_OUT Configuration.....	2-13
2-6	HID1 Bit Functions.....	2-13
2-7	MMCR0 Bit Settings.....	2-14
2-8	MMCR1 Bit Settings.....	2-16
2-9	PMCn Bit Settings.....	2-17
2-10	PMC1 Events—MMCR0[19–25] Select Encodings.....	2-17
2-11	PMC2 Events—MMCR0[26–31] Select Encodings.....	2-18
2-12	PMC3 Events—MMCR1[0–4] Select Encodings.....	2-18
2-13	PMC4 Events—MMCR1[5–9] Select Encodings.....	2-19
2-14	ICTC Bit Settings.....	2-21
2-15	THRM1–THRM2 Bit Settings.....	2-22
2-16	Valid THRM1/THRM2 States.....	2-23
2-17	THRM3 Bit Settings.....	2-24
2-18	L2CR Bit Settings.....	2-25
2-19	Settings Caused by Hard Reset (Used at Power-On).....	2-27
2-20	Floating-Point Operand Data Type Behavior.....	2-30
2-21	Floating-Point Result Data Type Behavior.....	2-31
2-22	Integer Arithmetic Instructions.....	2-38
2-23	Integer Compare Instructions.....	2-39
2-24	Integer Logical Instructions.....	2-40
2-25	Integer Rotate Instructions.....	2-41
2-26	Integer Shift Instructions.....	2-41
2-27	Floating-Point Arithmetic Instructions.....	2-42
2-28	Floating-Point Multiply-Add Instructions.....	2-42

## TABLES

Table Number	Title	Page Number
2-29	Floating-Point Rounding and Conversion Instructions.....	2-43
2-30	Floating-Point Compare Instructions.....	2-43
2-31	Floating-Point Status and Control Register Instructions .....	2-44
2-32	Floating-Point Move Instructions .....	2-44
2-33	Integer Load Instructions .....	2-47
2-34	Integer Store Instructions.....	2-48
2-35	Integer Load and Store with Byte-Reverse Instructions .....	2-49
2-36	Integer Load and Store Multiple Instructions .....	2-49
2-37	Integer Load and Store String Instructions .....	2-50
2-38	Floating-Point Load Instructions .....	2-51
2-39	Floating-Point Store Instructions .....	2-52
2-40	Store Floating-Point Single Behavior .....	2-52
2-41	Store Floating-Point Double Behavior.....	2-53
2-42	Branch Instructions .....	2-54
2-43	Condition Register Logical Instructions .....	2-54
2-44	Trap Instructions .....	2-55
2-45	System Linkage Instruction—UISA .....	2-55
2-46	Move to/from Condition Register Instructions .....	2-56
2-47	Move to/from Special-Purpose Register Instructions (UISA).....	2-56
2-48	PowerPC Encodings.....	2-56
2-49	SPR Encodings for MPC750-Defined Registers ( <b>mfspr</b> ) .....	<b>2-58</b>
2-50	Memory Synchronization Instructions—UISA .....	2-59
2-51	Move from Time Base Instruction.....	2-60
2-52	Memory Synchronization Instructions—VEA .....	2-62
2-53	User-Level Cache Instructions.....	2-63
2-54	External Control Instructions.....	2-64
2-55	System Linkage Instructions—OEA.....	2-65
2-56	Move to/from Machine State Register Instructions .....	2-65
2-57	Move to/from Special-Purpose Register Instructions (OEA) .....	2-66
2-58	Supervisor-Level Cache Management Instruction.....	2-66
2-59	Segment Register Manipulation Instructions.....	2-67
2-60	Translation Lookaside Buffer Management Instruction .....	2-67
3-1	MEI State Definitions .....	3-7
3-2	PLRU Bit Update Rules.....	3-20
3-3	PLRU Replacement Block Selection .....	3-20
3-4	Bus Operations Caused by Cache Control Instructions (WIM = 001) .....	3-24
3-5	Response to Snooped Bus Transactions .....	3-26
3-6	Address/Transfer Attribute Summary .....	3-29
3-7	MEI State Transitions .....	3-32
4-1	MPC750 Microprocessor Exception Classifications .....	4-2
4-2	Exceptions and Conditions .....	4-3
4-3	MPC750 Exception Priorities .....	4-6
4-4	MSR Bit Settings .....	4-8



## TABLES

Table Number	Title	Page Number
4-5	IEEE Floating-Point Exception Mode Bits.....	4-10
4-6	MSR Setting Due to Exception.....	4-12
4-7	System Reset Exception—Register Settings .....	4-13
4-8	HID0 Machine Check Enable Bits.....	4-15
4-9	Machine Check Exception—Register Settings .....	4-16
4-10	Trace Exception—SRR1 Settings.....	4-20
4-11	Performance Monitor Interrupt Exception—Register Settings.....	4-21
4-12	Instruction Address Breakpoint Exception—Register Settings .....	4-22
4-13	System Management Interrupt Exception—Register Settings .....	4-23
4-14	Thermal Management Interrupt Exception—Register Settings.....	4-24
5-1	MMU Feature Summary .....	5-3
5-2	Access Protection Options for Pages .....	5-11
5-3	Translation Exception Conditions.....	5-17
5-4	Other MMU Exception Conditions for the MPC750 Processor .....	5-18
5-5	MPC750 Microprocessor Instruction Summary—Control MMUs .....	5-19
5-6	MPC750 Microprocessor MMU Registers .....	5-20
5-7	Table Search Operations to Update History Bits—TLB Hit Case .....	5-22
5-8	Model for Guaranteed R and C Bit Settings .....	5-24
6-1	Performance Effects of Memory Operand Placement .....	6-26
6-2	TLB Miss Latencies .....	6-28
6-3	Branch Instructions .....	6-31
6-4	System Register Instructions.....	6-31
6-5	Condition Register Logical Instructions .....	6-32
6-6	Integer Instructions .....	6-33
6-7	Floating-Point Instructions.....	6-34
6-8	Load and Store Instructions .....	6-36
7-1	Transfer Type Encodings for MPC750 Bus Master .....	7-9
7-2	MPC750 Snoop Hit Response .....	7-10
7-3	Data Transfer Size.....	7-11
7-4	Data Bus Lane Assignments .....	7-17
7-5	DP[0–7] Signal Assignments.....	7-18
7-6	IEEE Interface Pin Descriptions .....	7-28
8-1	Transfer Size Signal Encodings .....	8-14
8-2	Burst Ordering .....	8-15
8-3	Aligned Data Transfers .....	8-15
8-4	Misaligned Data Transfers (Four-Byte Examples).....	8-17
9-1	L2 Cache Control Register.....	9-5
10-1	MPC750 Microprocessor Programmable Power Modes .....	10-2
10-2	THRM1 and THRM2 Bit Field Settings.....	10-7
10-3	THRM3 Bit Field Settings .....	10-7
10-4	Valid THRM1 and THRM2 Bit Settings .....	10-9
10-5	ICTC Bit Field Settings .....	10-11
11-1	Performance Monitor SPRs .....	11-3

## TABLES

Table Number	Title	Page Number
11-2	MMCR0 Bit Settings .....	11-4
11-3	MMCR1 Bit Settings .....	11-6
11-4	PMcN Bit Settings .....	11-6
11-5	PMc1 Events—MMCR0[19–25] Select Encodings .....	11-7
11-6	PMc2 Events—MMCR0[26–31] Select Encodings .....	11-7
11-7	PMc3 Events—MMCR1[0–4] Select Encodings .....	11-8
11-8	PMc4 Events—MMCR1[5–9] Select Encodings .....	11-9
A-1	Complete Instruction List Sorted by Mnemonic.....	A-1
A-2	Complete Instruction List Sorted by Opcode.....	A-9
A-3	Integer Arithmetic Instructions .....	A-17
A-4	Integer Compare Instructions.....	A-18
A-5	Integer Logical Instructions .....	A-18
A-6	Integer Rotate Instructions.....	A-19
A-7	Integer Shift Instructions.....	A-19
A-8	Floating-Point Arithmetic Instructions .....	A-20
A-9	Floating-Point Multiply-Add Instructions .....	A-20
A-10	Floating-Point Rounding and Conversion Instructions.....	A-21
A-11	Floating-Point Compare Instructions.....	A-21
A-12	Floating-Point Status and Control Register Instructions .....	A-21
A-13	Integer Load Instructions .....	A-22
A-14	Integer Store Instructions.....	A-23
A-15	Integer Load and Store with Byte Reverse Instructions .....	A-23
A-16	Integer Load and Store Multiple Instructions .....	A-23
A-17	Integer Load and Store String Instructions .....	A-24
A-18	Memory Synchronization Instructions.....	A-24
A-19	Floating-Point Load Instructions .....	A-24
A-20	Floating-Point Store Instructions .....	A-25
A-21	Floating-Point Move Instructions .....	A-25
A-22	Branch Instructions .....	A-25
A-23	Condition Register Logical Instructions .....	A-26
A-24	System Linkage Instructions.....	A-26
A-25	Trap Instructions .....	A-26
A-26	Processor Control Instructions.....	A-27
A-27	Cache Management Instructions.....	A-27
A-28	Segment Register Manipulation Instructions.....	A-28
A-29	Lookaside Buffer Management Instructions.....	A-28
A-30	External Control Instructions.....	A-28
A-31	I-Form .....	A-29
A-32	B-Form.....	A-29
A-33	SC-Form.....	A-29
A-34	D-Form.....	A-29
A-35	DS-Form .....	A-31
A-36	X-Form.....	A-31

## TABLES

<b>Table Number</b>	<b>Title</b>	<b>Page Number</b>
A-37	XL-Form .....	A-36
A-38	XFX-Form.....	A-36
A-39	XFL-Form.....	A-37
A-40	XS-Form .....	A-37
A-41	XO-Form.....	A-37
A-42	A-Form.....	A-38
A-43	M-Form .....	A-39
A-44	MD-Form .....	A-39
A-45	MDS-Form.....	A-40
A-46	PowerPC Instruction Set Legend.....	A-41
B-1	32-Bit Instructions Not Implemented by the MPC750 Processor .....	B-1
B-2	64-Bit Instructions Not Implemented by the MPC750 Processor .....	B-1



## About This Book

---

The primary objective of this user's manual is to define the functionality of the MPC750 and MPC740 microprocessors for use by software and hardware developers. Although the emphasis of this manual is upon the MPC750, unless otherwise noted, all information here applies to MPC740. This book is intended as a companion to the *PowerPC™ Microprocessor Family: The Programming Environments* (referred to as *The Programming Environments Manual*).

### **About the Companion *Programming Environments Manual***

The *MPC750 RISC Microprocessor User's Manual*, which describes MPC750 features not defined by the architecture, is to be used with the *PowerPC Microprocessor Family: The Programming Environments*, Rev. 1, referred to as *The Programming Environments Manual*.

Because the PowerPC architecture is designed to be flexible to support a broad range of processors, *The Programming Environments Manual* provides a general description of features that are common to PowerPC processors and indicates those features that are optional or that may be implemented differently in the design of each processor.

Note that *The Programming Environments Manual* exists in two versions. *PowerPC Microprocessor Family: The Programming Environments*, Rev. 1 describes features of the PowerPC architecture for both 64- and 32-bit implementations. This version may be more useful if migration to 64-bit processors is critical to the reader. *PowerPC Microprocessor Family: The Programming Environments for 32-Bit Microprocessors*, Rev. 1 describes features of the PowerPC architecture only for 32-bit implementations. Because it describes only those features that support 32-bit processors, this manual may be more practical if the reader is concerned primarily with the MPC750 processor.

Contact your sales representative for a copy of *The Programming Environments Manual*.

This document and *The Programming Environments Manual* distinguish between the three levels, or programming environments, of the PowerPC architecture, which are as follows:

- PowerPC user instruction set architecture (UISA)—The UISA defines the level of the architecture to which user-level software should conform. The UISA defines the base user-level instruction set, user-level registers, data types, memory conventions, and the memory and programming models seen by application programmers.
- PowerPC virtual environment architecture (VEA)—The VEA, which is the smallest component of the PowerPC architecture, defines additional user-level functionality that falls outside typical user-level software requirements. The VEA describes the memory model for an environment in which multiple processors or other devices can access external memory and defines aspects of the cache model and cache control instructions from a user-level perspective. The resources defined by the VEA are particularly useful for optimizing memory accesses and for managing resources in an environment in which other processors and other devices can access external memory.

Implementations that conform to the PowerPC VEA also conform to the PowerPC UISA, but may not necessarily adhere to the OEA.

- PowerPC operating environment architecture (OEA)—The OEA defines supervisor-level resources typically required by an operating system. The OEA defines the PowerPC memory management model, supervisor-level registers, and the exception model.

Implementations that conform to the PowerPC OEA also conform to the PowerPC UISA and VEA.

It is important to note that some resources are defined more generally at one level in the architecture and more specifically at another. For example, conditions that cause a floating-point exception are defined by the UISA, while the exception mechanism itself is defined by the OEA.

Because it is important to distinguish between the levels of the architecture in order to ensure compatibility across multiple platforms, those distinctions are shown clearly throughout this book.

For ease in reference, the arrangement of topics in this book follows that of *The Programming Environments Manual*. Topics build upon one another, beginning with a description and complete summary of MPC750-specific registers and instructions and progressing to more specialized topics such as MPC750-specific details regarding the cache, exception, and memory management models. As such, chapters may include information from multiple levels of the architecture. (For example, the discussion of the cache model uses information from both the VEA and the OEA.)

*The PowerPC Architecture: A Specification for a New Family of RISC Processors* defines the architecture from the perspective of the three programming environments and remains the defining document for the PowerPC architecture. For information about ordering PowerPC documentation, see “Suggested Reading,” on page xxx.

The information in this book is subject to change without notice, as described in the disclaimers on the title page of this book. As with any technical documentation, it is the readers’ responsibility to be sure they are using the most recent version of the documentation.

To locate any published errata or updates for this document, refer to the world-wide web at <http://www.mot.com/powerpc>.

## Audience

This manual is intended for system software and hardware developers and applications programmers who want to develop products for the MPC750. It is assumed that the reader understands operating systems, microprocessor system design, basic principles of RISC processing, and details of the PowerPC architecture.

## Organization

Following is a summary and a brief description of the major sections of this manual:

- Chapter 1, “Overview,” is useful for readers who want a general understanding of the features and functions of the PowerPC architecture and the MPC750. This chapter describes the flexible nature of the PowerPC architecture definition, and provides an overview of how the PowerPC architecture defines the register set, operand conventions, addressing modes, instruction set, cache model, exception model, and memory management model.
- Chapter 2, “MPC750 Processor Programming Model,” is useful for software engineers who need to understand the MPC750-specific registers, operand conventions, and details regarding how PowerPC instructions are implemented on the MPC750. Instructions are organized by function.
- Chapter 3, “L1 Instruction and Data Cache Operation,” discusses the cache and memory model as implemented on the MPC750.
- Chapter 4, “Exceptions,” describes the exception model defined in the PowerPC OEA and the specific exception model implemented on the MPC750.
- Chapter 5, “Memory Management,” describes the MPC750’s implementation of the memory management unit specifications provided by the PowerPC OEA for PowerPC processors.
- Chapter 6, “Instruction Timing,” provides information about latencies, interlocks, special situations, and various conditions to help make programming more efficient. This chapter is of special interest to software engineers and system designers.

- Chapter 7, “Signal Descriptions,” provides descriptions of individual signals of the MPC750.
- Chapter 8, “System Interface Operation,” describes signal timings for various operations. It also provides information for interfacing to the MPC750.
- Chapter 9, “L2 Cache Interface Operation,” describes the implementation and use of the MPC750 L2 cache and cache controller. Note that this feature is not supported on the MPC740.
- Chapter 10, “Power and Thermal Management,” provides information about power saving and thermal management modes for the MPC750.
- Chapter 11, “Performance Monitor,” describes the operation of the performance monitor diagnostic tool incorporated in the MPC750.
- Appendix A, “PowerPC Instruction Set Listings,” lists all the PowerPC instructions while indicating those instructions that are not implemented by the MPC750; it also includes the instructions that are specific to the MPC750. Instructions are grouped according to mnemonic, opcode, function, and form. Also included is a quick reference table that contains general information, such as the architecture level, privilege level, and form, and indicates if the instruction is 64-bit and optional.
- Appendix B, “Instructions Not Implemented,” provides a list of the 32-bit and 64-bit PowerPC instructions that are not implemented in the MPC750.
- This manual also includes a glossary and an index.

## Suggested Reading

This section lists additional reading that provides background for the information in this manual as well as general information about the PowerPC architecture.

### General Information

The following documentation provides useful information about the PowerPC architecture and computer architecture in general:

- The following books are available from the Morgan-Kaufmann Publishers, 340 Pine Street, Sixth Floor, San Francisco, CA 94104; Tel. (800) 745-7323 (U.S.A.), (415) 392-2665 (International); internet address: mkp@mkp.com.
  - *The PowerPC Architecture: A Specification for a New Family of RISC Processors*, Second Edition, by International Business Machines, Inc.  
Updates to the architecture specification are accessible via the world-wide web at <http://www.austin.ibm.com/tech/ppc-chg.html>.
  - *PowerPC Microprocessor Common Hardware Reference Platform: A System Architecture*, by Apple Computer, Inc., International Business Machines, Inc., and Motorola, Inc.
  - *Macintosh Technology in the Common Hardware Reference Platform*, by Apple Computer, Inc.



— *Computer Architecture: A Quantitative Approach*, Second Edition, by John L. Hennessy and David A. Patterson

- *Inside Macintosh: PowerPC System Software*, Addison-Wesley Publishing Company, One Jacob Way, Reading, MA, 01867; Tel. (800) 282-2732 (U.S.A.), (800) 637-0029 (Canada), (716) 871-6555 (International).
- *PowerPC Programming for Intel Programmers*, by Kip McClanahan; IDG Books Worldwide, Inc., 919 East Hillsdale Boulevard, Suite 400, Foster City, CA, 94404; Tel. (800) 434-3422 (U.S.A.), (415) 655-3022 (International).

## PowerPC Documentation

The PowerPC documentation is available from the sources listed on the back cover of this manual; the document order numbers are included in parentheses for ease in ordering:

- User's manuals—These books provide details about individual PowerPC implementations and are intended to be used in conjunction with *The Programming Environments Manual*. These include the following:
  - *PowerPC 601™ RISC Microprocessor User's Manual: MPC601UM/AD* (Motorola order #)
  - *PowerPC 603e™ RISC Microprocessor User's Manual with Supplement for PowerPC 603 Microprocessor: MPC603EUM/AD* (Motorola order #)
  - *PowerPC 604™ RISC Microprocessor User's Manual: MPC604UM/AD* (Motorola order #)
- Programming environments manuals—These books provide information about resources defined by the PowerPC architecture that are common to PowerPC processors. There are two versions, one that describes the functionality of the combined 32- and 64-bit architecture models and one that describes only the 32-bit model.
  - *PowerPC Microprocessor Family: The Programming Environments*, Rev 1: MPCFPE/AD (Motorola order #)
  - *PowerPC Microprocessor Family: The Programming Environments for 32-Bit Microprocessors*, Rev. 1: MPCFPE32B/AD (Motorola order #)
- *Implementation Variances Relative to Rev. 1 of The Programming Environments Manual* is available via the world-wide web at <http://www.motorola.com/PowerPC/>.
- Addenda/errata to user's manuals—Because some processors have follow-on parts an addendum is provided that describes the additional features and changes to functionality of the follow-on part. These addenda are intended for use with the corresponding user's manuals. These include the following:
  - *Addendum to PowerPC 603e RISC Microprocessor User's Manual: PowerPC 603e Microprocessor Supplement and User's Manual Errata: MPC603EUMAD/AD* (Motorola order #)

- *Addendum to PowerPC 604 RISC Microprocessor User's Manual: PowerPC 604e™ Microprocessor Supplement and User's Manual Errata:* MPC604UMAD/AD (Motorola order #)
- Hardware specifications—Hardware specifications provide specific data regarding bus timing, signal behavior, and AC, DC, and thermal characteristics, as well as other design considerations for each PowerPC implementation. These include the following:
  - *PowerPC 601 RISC Microprocessor Hardware Specifications:* MPC601EC/D (Motorola order #)
  - *PowerPC 603 RISC Microprocessor Hardware Specifications:* MPC603EC/D (Motorola order #)
  - *PowerPC 603e RISC Microprocessor Family: PID6-603e Hardware Specifications:* MPC603EEC/D (Motorola order #)
  - *PowerPC 603e RISC Microprocessor Family: PID7V-603e Hardware Specifications:* MPC603E7VEC/D (Motorola order #)
  - *PowerPC 603e RISC Microprocessor Family: PID7t-603e Hardware Specifications:* MPC603E7TEC/D (Motorola order #)
  - *PowerPC 604 RISC Microprocessor Hardware Specifications:* MPC604EC/D (Motorola order #)
  - *PowerPC 604e RISC Microprocessor Family: PID9V-604e Hardware Specifications:* MPC604E9VEC/D (Motorola order #)
- Technical Summaries—Each PowerPC implementation has a technical summary that provides an overview of its features. This document is roughly the equivalent to the overview (Chapter 1) of an implementation's user's manual. Technical summaries are available for the 601, 603, 603e, 604, and 604e as well as the following:
  - *PowerPC 620™ RISC Microprocessor Technical Summary:* MPC620/D (Motorola order #)
- *PowerPC Microprocessor Family: The Bus Interface for 32-Bit Microprocessors:* MPCBUSIF/AD (Motorola order #) provides a detailed functional description of the 60x bus interface, as implemented on the 601, 603, and 604 family of PowerPC microprocessors. This document is intended to help system and chipset developers by providing a centralized reference source to identify the bus interface presented by the 60x family of PowerPC microprocessors.

- *PowerPC Microprocessor Family: The Programmer's Reference Guide:* MPCPRG/D (Motorola order #) is a concise reference that includes the register summary, memory control model, exception vectors, and the PowerPC instruction set.
- *PowerPC Microprocessor Family: The Programmer's Pocket Reference Guide:* MPCPRGREF/D (Motorola order #)  
This foldout card provides an overview of the PowerPC registers, instructions, and exceptions for 32-bit implementations.
- Application notes—These short documents contain useful information about specific design issues useful to programmers and engineers working with PowerPC processors.
- Documentation for support chips—These include the following:
  - *MPC105 PCI Bridge/Memory Controller User's Manual:* MPC105UM/AD (Motorola order #)
  - *MPC106 PCI Bridge/Memory Controller User's Manual:* MPC106UM/AD (Motorola order #)

Additional literature on PowerPC implementations is being released as new processors become available. For a current list of PowerPC documentation, refer to the world-wide web at <http://www.motorola.com/PowerPC/>.

## Conventions

This document uses the following notational conventions:

<b>mnemonics</b>	Instruction mnemonics are shown in lowercase bold.
<i>italics</i>	Italics indicate variable command parameters, for example, <b>bcctrx</b> . Book titles in text are set in italics.
0x0	Prefix to denote hexadecimal number
0b0	Prefix to denote binary number
<b>rA, rB</b>	Instruction syntax used to identify a source GPR
<b>rD</b>	Instruction syntax used to identify a destination GPR
<b>frA, frB, frC</b>	Instruction syntax used to identify a source FPR
<b>frD</b>	Instruction syntax used to identify a destination FPR
REG[FIELD]	Abbreviations or acronyms for registers are shown in uppercase text. Specific bits, fields, or ranges appear in brackets. For example, MSR[LE] refers to the little-endian mode enable bit in the machine state register.
x	In certain contexts, such as a signal encoding, this indicates a don't care.
<i>n</i>	Used to express an undefined numerical value

¬	NOT logical operator	
&	AND logical operator	
	OR logical operator	
<table border="1" style="display: inline-table; vertical-align: middle;"><tr><td>0000</td></tr></table>	0000	Indicates reserved bits or bit fields in a register. Although these bits may be written to as either ones or zeros, they are always read as zeros.
0000		

## Acronyms and Abbreviations

Table i contains acronyms and abbreviations that are used in this document.

**Table i. Acronyms and Abbreviated Terms**

Term	Meaning
BAT	Block address translation
BIST	Built-in self test
BHT	Branch history table
BIU	Bus interface unit
BPU	Branch processing unit
BTIC	Branch target instruction cache
BSDL	Boundary-scan description language
BUID	Bus unit ID
CMOS	Complementary metal-oxide semiconductor
COP	Common on-chip processor
CR	Condition register
CQ	Completion queue
CTR	Count register
DABR	Data address breakpoint register
DAR	Data address register
DBAT	Data BAT
DCMP	Data TLB compare
DEC	Decrementer register
DLL	Delay-locked loop
DMISS	Data TLB miss address
DMMU	Data MMU
DPM	Dynamic power management
DSISR	Register used for determining the source of a DSI exception
DTLB	Data translation lookaside buffer

**Table i. Acronyms and Abbreviated Terms (Continued)**

Term	Meaning
EA	Effective address
EAR	External access register
ECC	Error checking and correction
FIFO	First-in-first-out
FPR	Floating-point register
FPSCR	Floating-point status and control register
FPU	Floating-point unit
GPR	General-purpose register
HID <sub>n</sub>	Hardware implementation-dependent register
IABR	Instruction address breakpoint register
IBAT	Instruction BAT
ICTC	Instruction cache throttling control register
IEEE	Institute for Electrical and Electronics Engineers
IMMU	Instruction MMU
IQ	Instruction queue
ITLB	Instruction translation lookaside buffer
IU	Integer unit
JTAG	Joint Test Action Group
L2	Secondary cache (Level 2 cache)
L2CR	L2 cache control register
LIFO	Last-in-first-out
LR	Link register
LRU	Least recently used
LSB	Least-significant byte
lsb	Least-significant bit
LSU	Load/store unit
MEI	Modified/exclusive/invalid
MESI	Modified/exclusive/shared/invalid—cache coherency protocol
MMCR <sub>n</sub>	Monitor mode control registers
MMU	Memory management unit
MSB	Most-significant byte
msb	Most-significant bit

**Table i. Acronyms and Abbreviated Terms (Continued)**

<b>Term</b>	<b>Meaning</b>
MSR	Machine state register
NaN	Not a number
No-op	No operation
OEA	Operating environment architecture
PID	Processor identification tag
PLL	Phase-locked loop
PLRU	Pseudo least recently used
PMC $n$	Performance monitor counter registers
POR	Power-on reset
POWER	Performance Optimized with Enhanced RISC architecture
PTE	Page table entry
PTEG	Page table entry group
PVR	Processor version register
RAW	Read-after-write
RISC	Reduced instruction set computing
RTL	Register transfer language
RWITM	Read with intent to modify
RWNITM	Read with no intent to modify
SDA	Sampled data address register
SDR1	Register that specifies the page table base address for virtual-to-physical address translation
SIA	Sampled instruction address register
SPR	Special-purpose register
SR $n$	Segment register
SRU	System register unit
SRR0	Machine status save/restore register 0
SRR1	Machine status save/restore register 1
SRU	System register unit
TAU	Thermal management assist unit
TB	Time base facility
TBL	Time base lower register
TBU	Time base upper register
THRM $n$	Thermal management registers

**Table i. Acronyms and Abbreviated Terms (Continued)**

Term	Meaning
TLB	Translation lookaside buffer
TTL	Transistor-to-transistor logic
UIMM	Unsigned immediate value
UISA	User instruction set architecture
UMMCR $n$	User monitor mode control registers
UPMC $n$	User performance monitor counter registers
USIA	User sampled instruction address register
VEA	Virtual environment architecture
WAR	Write-after-read
WAW	Write-after-write
WIMG	Write-through/caching-inhibited/memory-coherency enforced/guarded bits
XATC	Extended address transfer code
XER	Register used for indicating conditions such as carries and overflows for integer operations

## Terminology Conventions

Table ii describes terminology conventions used in this manual and the equivalent terminology used in the PowerPC architecture specification.

**Table ii. Terminology Conventions**

The Architecture Specification	This Manual
Data storage interrupt (DSI)	DSI exception
Extended mnemonics	Simplified mnemonics
Fixed-point unit (FXU)	Integer unit (IU)
Instruction storage interrupt (ISI)	ISI exception
Interrupt	Exception
Privileged mode (or privileged state)	Supervisor-level privilege
Problem mode (or problem state)	User-level privilege
Real address	Physical address
Relocation	Translation
Storage (locations)	Memory
Storage (the act of)	Access
Store in	Write back
Store through	Write through

Table iii describes instruction field notation used in this manual.

**Table iii. Instruction Field Conventions**

<b>The Architecture Specification</b>	<b>Equivalent to:</b>
BA, BB, BT	<b>crbA, crbB, crbD</b> (respectively)
BF, BFA	<b>crfD, crfS</b> (respectively)
D	d
DS	ds
FLM	FM
FRA, FRB, FRC, FRT, FRS	<b>frA, frB, frC, frD, frS</b> (respectively)
FXM	CRM
RA, RB, RT, RS	<b>rA, rB, rD, rS</b> (respectively)
SI	SIMM
U	IMM
UI	UIMM
<i>I, II, III</i>	0...0 (shaded)



# Chapter 1

## Overview

This chapter provides an overview of the MPC750 microprocessor features, including a block diagram showing the major functional components. It provides information about how the MPC750 implementation complies with the PowerPC™ architecture definition.

### 1.1 MPC750 Microprocessor Overview

This section describes the features and general operation of the MPC750 and provides a block diagram showing major functional units. The MPC750 is an implementation of the PowerPC microprocessor family of reduced instruction set computer (RISC) microprocessors. The MPC750 implements the 32-bit portion of the PowerPC architecture, which provides 32-bit effective addresses, integer data types of 8, 16, and 32 bits, and floating-point data types of 32 and 64 bits. The MPC750 is a superscalar processor that can complete two instructions simultaneously. It incorporates the following six execution units:

- Floating-point unit (FPU)
- Branch processing unit (BPU)
- System register unit (SRU)
- Load/store unit (LSU)
- Two integer units (IUs): IU1 executes all integer instructions. IU2 executes all integer instructions except multiply and divide instructions.

The ability to execute several instructions in parallel and the use of simple instructions with rapid execution times yield high efficiency and throughput for MPC750-based systems. Most integer instructions execute in one clock cycle. The FPU is pipelined, the tasks it performs are broken into subtasks, implemented as three successive stages. Typically, a floating-point instruction can occupy only one of the three stages at a time, freeing the previous stage to work on the next floating-point instruction. Thus, three single-precision floating-point instructions can be in the FPU execute stage at a time. Double-precision add instructions have a three-cycle latency; double-precision multiply and multiply-add instructions have a four-cycle latency.

Figure 1-1 shows the parallel organization of the execution units (shaded in the diagram). The instruction unit fetches, dispatches, and predicts branch instructions. Note that this is a conceptual model that shows basic features rather than attempting to show how features are implemented physically.

The MPC750 has independent on-chip, 32-Kbyte, eight-way set-associative, physically addressed caches for instructions and data and independent instruction and data memory management units (MMUs). Each MMU has a 128-entry, two-way set-associative translation lookaside buffer (DTLB and ITLB) that saves recently used page address translations. Block address translation is done through the four-entry instruction and data block address translation (IBAT and DBAT) arrays, defined by the PowerPC architecture. During block translation, effective addresses are compared simultaneously with all four BAT entries. For information about the L1 cache, see Chapter 3, “L1 Instruction and Data Cache Operation.”

The L2 cache is implemented with an on-chip, two-way, set-associative tag memory, and with external, synchronous SRAMs for data storage. The external SRAMs are accessed through a dedicated L2 cache port that supports a single bank of up to 1 Mbyte of synchronous SRAMs. The L2 cache interface is not implemented in the MPC740. For information about the L2 cache implementation, see Chapter 9, “L2 Cache Interface Operation.”

The MPC750 has a 32-bit address bus and a 64-bit data bus. Multiple devices compete for system resources through a central external arbiter. The MPC750’s three-state cache-coherency protocol (MEI) supports the exclusive, modified, and invalid states, a compatible subset of the MESI (modified/exclusive/shared/invalid) four-state protocol, and it operates coherently in systems with four-state caches. The MPC750 supports single-beat and burst data transfers for memory accesses and memory-mapped I/O operations. The system interface is described in Chapter 7, “Signal Descriptions,” and Chapter 8, “System Interface Operation.”

The MPC750 has four software-controllable power-saving modes. Three static modes, doze, nap, and sleep, progressively reduce power dissipation. When functional units are idle, a dynamic power management mode causes those units to enter a low-power mode automatically without affecting operational performance, software execution, or external hardware. The MPC750 also provides a thermal assist unit (TAU) and a way to reduce the instruction fetch rate for limiting power dissipation. Power management is described in Chapter 10, “Power and Thermal Management.”

The MPC750 uses an advanced CMOS process technology and is fully compatible with TTL devices.

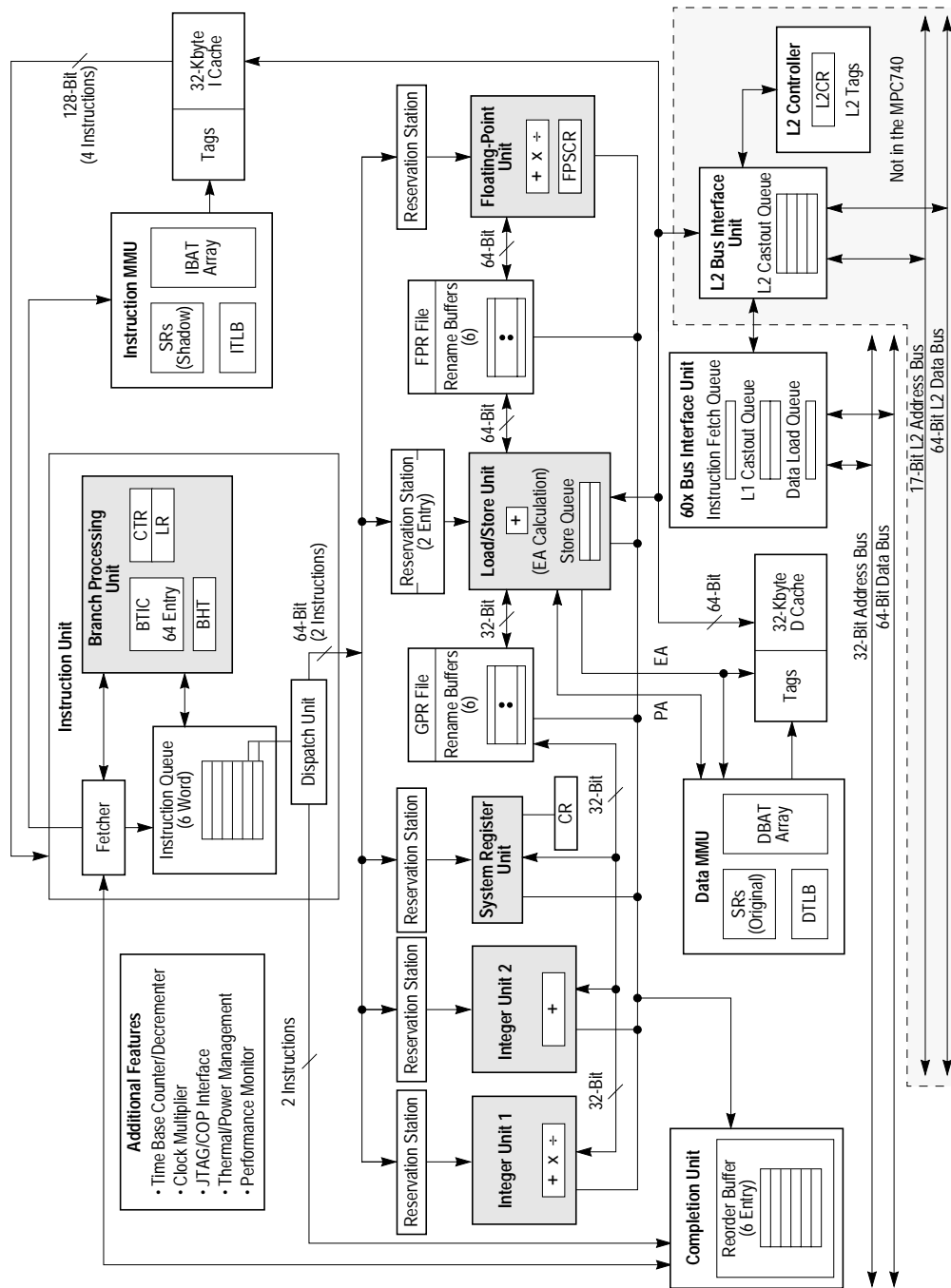


Figure 1-1. MPC750 Microprocessor Block Diagram

## 1.2 MPC750 Microprocessor Features

This section lists features of the MPC750. The interrelationship of these features is shown in Figure 1-1.

### 1.2.1 Overview of the MPC750 Microprocessor Features

Major features of the MPC750 are as follows:

- High-performance, superscalar microprocessor
  - As many as four instructions can be fetched from the instruction cache per clock cycle
  - As many as two instructions can be dispatched per clock
  - As many as six instructions can execute per clock (including two integer instructions)
  - Single-clock-cycle execution for most instructions
- Six independent execution units and two register files
  - BPU featuring both static and dynamic branch prediction
    - 64-entry (16-set, four-way set-associative) branch target instruction cache (BTIC), a cache of branch instructions that have been encountered in branch/loop code sequences. If a target instruction is in the BTIC, it is fetched into the instruction queue a cycle sooner than it can be made available from the instruction cache. Typically, if a fetch access hits the BTIC, it provides the first two instructions in the target stream.
    - 512-entry branch history table (BHT) with two bits per entry for four levels of prediction—*not-taken*, *strongly not-taken*, *taken*, *strongly taken*
    - Branch instructions that do not update the count register (CTR) or link register (LR) are removed from the instruction stream.
  - Two integer units (IUs) that share thirty-two GPRs for integer operands
    - IU1 can execute any integer instruction.
    - IU2 can execute all integer instructions except multiply and divide instructions (multiply, divide, shift, rotate, arithmetic, and logical instructions). Most instructions that execute in the IU2 take one cycle to execute. The IU2 has a single-entry reservation station.
  - Three-stage FPU
    - Fully IEEE 754-1985-compliant FPU for both single- and double-precision operations
    - Supports non-IEEE mode for time-critical operations
    - Hardware support for denormalized numbers
    - Single-entry reservation station
    - Thirty-two 64-bit FPRs for single- or double-precision operands

- Two-stage LSU
  - Two-entry reservation station
  - Single-cycle, pipelined cache access
  - Dedicated adder performs EA calculations
  - Performs alignment and precision conversion for floating-point data
  - Performs alignment and sign extension for integer data
  - Three-entry store queue
  - Supports both big- and little-endian modes
- SRU handles miscellaneous instructions
  - Executes CR logical and Move to/Move from SPR instructions (**mtspr** and **mfspir**)
  - Single-entry reservation station
- Rename buffers
  - Six GPR rename buffers
  - Six FPR rename buffers
  - Condition register buffering supports two CR writes per clock
- Completion unit
  - The completion unit retires an instruction from the six-entry reorder buffer (completion queue) when all instructions ahead of it have been completed, the instruction has finished execution, and no exceptions are pending.
  - Guarantees sequential programming model (precise exception model)
  - Monitors all dispatched instructions and retires them in order
  - Tracks unresolved branches and flushes instructions from the mispredicted branch
  - Retires as many as two instructions per clock
- Separate on-chip instruction and data caches (Harvard architecture)
  - 32-Kbyte, eight-way set-associative instruction and data caches
  - Pseudo least-recently-used (PLRU) replacement algorithm
  - 32-byte (eight-word) cache block
  - Physically indexed/physical tags. (Note that the PowerPC architecture refers to physical address space as real address space.)
  - Cache write-back or write-through operation programmable on a per-page or per-block basis
  - Instruction cache can provide four instructions per clock; data cache can provide two words per clock
  - Caches can be disabled in software

- Caches can be locked in software
- Data cache coherency (MEI) maintained in hardware
- The critical double word is made available to the requesting unit when it is burst into the line-fill buffer. The cache is nonblocking, so it can be accessed during this operation.
- Level 2 (L2) cache interface (The L2 cache interface is not supported in the MPC740.)
  - On-chip two-way set-associative L2 cache controller and tags
  - External data SRAMs
  - Support for 256-Kbyte, 512-Kbyte, and 1-Mbyte L2 caches
  - 64-byte (256-Kbyte/512-Kbyte) and 128-byte (1 Mbyte) sectorized line size
  - Supports flow-through (register-buffer), pipelined (register-register), and pipelined late-write (register-register) synchronous burst SRAMs
- Separate memory management units (MMUs) for instructions and data
  - 52-bit virtual address; 32-bit physical address
  - Address translation for 4-Kbyte pages, variable-sized blocks, and 256-Mbyte segments
  - Memory programmable as write-back/write-through, cacheable/noncacheable, and coherency enforced/coherency not enforced on a page or block basis
  - Separate IBATs and DBATs (four each) also defined as SPRs
  - Separate instruction and data translation lookaside buffers (TLBs)
    - Both TLBs are 128-entry, two-way set associative, and use LRU replacement algorithm
    - TLBs are hardware-reloadable (that is, the page table search is performed in hardware)
- Separate bus interface units for system memory and for the L2 cache
  - Bus interface features include the following:
    - Selectable bus-to-core clock frequency ratios of 2x, 2.5x, 3x, 3.5x, 4x, 4.5x ... 8x. (2x to 8x, all half-clock multipliers in-between)
    - A 64-bit, split-transaction external data bus with burst transfers
    - Support for address pipelining and limited out-of-order bus transactions
    - Single-entry load queue
    - Single-entry instruction fetch queue
    - Two-entry L1 cache castout queue
    - No- $\overline{\text{DRTRY}}$  mode eliminates the  $\overline{\text{DRTRY}}$  signal from the qualified bus grant. This allows the forwarding of data during load operations to the internal core one bus cycle sooner than if the use of  $\overline{\text{DRTRY}}$  is enabled.

- L2 cache interface features (which are not implemented on the MPC740) include the following:
  - Core-to-L2 frequency divisors of 1, 1.5, 2, 2.5, and 3
  - Four-entry L2 cache castout queue in L2 cache BIU
  - 17-bit address bus
  - 64-bit data bus
- Multiprocessing support features include the following:
  - Hardware-enforced, three-state cache coherency protocol (MEI) for data cache.
  - Load/store with reservation instruction pair for atomic memory references, semaphores, and other multiprocessor operations
- Power and thermal management
  - Three static modes, doze, nap, and sleep, progressively reduce power dissipation:
    - Doze—All the functional units are disabled except for the time base/decrementer registers and the bus snooping logic.
    - Nap—The nap mode further reduces power consumption by disabling bus snooping, leaving only the time base register and the PLL in a powered state.
    - Sleep—All internal functional units are disabled, after which external system logic may disable the PLL and SYCLK.
  - Thermal management facility provides software-controllable thermal management. Thermal management is performed through the use of three supervisor-level registers and an MPC750-specific thermal management exception.
  - Instruction cache throttling provides control of instruction fetching to limit power consumption.
- Performance monitor can be used to help debug system designs and improve software efficiency.
- In-system testability and debugging features through JTAG boundary-scan capability

### 1.2.2 Instruction Flow

As shown in Figure 1-1, the MPC750 instruction unit provides centralized control of instruction flow to the execution units. The instruction unit contains a sequential fetcher, six-entry instruction queue (IQ), dispatch unit, and BPU. It determines the address of the next instruction to be fetched based on information from the sequential fetcher and from the BPU.

See Chapter 6, “Instruction Timing,” for a detailed discussion of instruction timing.

The sequential fetcher loads instructions from the instruction cache into the instruction queue. The BPU extracts branch instructions from the sequential fetcher. Branch instructions that cannot be resolved immediately are predicted using either the MPC750-specific dynamic branch prediction or the architecture-defined static branch prediction.

Branch instructions that do not affect the LR or CTR are removed from the instruction stream. The BPU folds branch instructions when a branch is taken (or predicted as taken); branch instructions that are not taken, or predicted as not taken, are removed from the instruction stream through the dispatch mechanism.

Instructions issued beyond a predicted branch do not complete execution until the branch is resolved, preserving the programming model of sequential execution. If branch prediction is incorrect, the instruction unit flushes all predicted path instructions, and instructions are fetched from the correct path.

### **1.2.2.1 Instruction Queue and Dispatch Unit**

The instruction queue (IQ), shown in Figure 1-1, holds as many as six instructions and loads up to four instructions from the instruction cache during a single processor clock cycle. The instruction fetcher continuously attempts to load as many instructions as there were vacancies in the IQ in the previous clock cycle. All instructions except branch instructions are dispatched to their respective execution units from the bottom two positions in the instruction queue (IQ0 and IQ1) at a maximum rate of two instructions per cycle. Reservation stations are provided for the IU1, IU2, FPU, LSU, and SRU. The dispatch unit checks for source and destination register dependencies, determines whether a position is available in the completion queue, and inhibits subsequent instruction dispatching as required.

Branch instructions can be detected, decoded, and predicted from anywhere in the instruction queue. For a more detailed discussion of instruction dispatch, see Section 6.3.3, “Instruction Dispatch and Completion Considerations.”

### **1.2.2.2 Branch Processing Unit (BPU)**

The BPU receives branch instructions from the sequential fetcher and performs CR lookahead operations on conditional branches to resolve them early, achieving the effect of a zero-cycle branch in many cases.

Unconditional branch instructions and conditional branch instructions in which the condition is known can be resolved immediately. For unresolved conditional branch instructions, the branch path is predicted using either the architecture-defined static branch prediction or the MPC750-specific dynamic branch prediction. Dynamic branch prediction is enabled if  $HID0[BHT] = 1$ .



When a prediction is made, instruction fetching, dispatching, and execution continue from the predicted path, but instructions cannot complete and write back results to architected registers until the prediction is determined to be correct (resolved). When a prediction is incorrect, the instructions from the incorrect path are flushed from the processor and processing begins from the correct path. The MPC750 allows a second branch instruction to be predicted; instructions from the second predicted instruction stream can be fetched but cannot be dispatched.

Dynamic prediction is implemented using a 512-entry branch history table (BHT), a cache that provides two bits per entry that together indicate four levels of prediction for a branch instruction—not-taken, strongly not-taken, taken, strongly taken. When dynamic branch prediction is disabled, the BPU uses a bit in the instruction encoding to predict the direction of the conditional branch. Therefore, when an unresolved conditional branch instruction is encountered, the MPC750 executes instructions from the predicted target stream although the results are not committed to architected registers until the conditional branch is resolved. This execution can continue until a second unresolved branch instruction is encountered.

When a branch is taken (or predicted as taken), the instructions from the untaken path must be flushed and the target instruction stream must be fetched into the IQ. The BTIC is a 64-entry cache that contains the most recently used branch target instructions, typically in pairs. When an instruction fetch hits in the BTIC, the instructions arrive in the instruction queue in the next clock cycle, a clock cycle sooner than they would arrive from the instruction cache. Additional instructions arrive from the instruction cache in the next clock cycle. The BTIC reduces the number of missed opportunities to dispatch instructions and gives the processor a one-cycle head start on processing the target stream.

The BPU contains an adder to compute branch target addresses and three user-control registers—the link register (LR), the count register (CTR), and the CR. The BPU calculates the return pointer for subroutine calls and saves it into the LR for certain types of branch instructions. The LR also contains the branch target address for the Branch Conditional to Link Register (**bclr***x*) instruction. The CTR contains the branch target address for the Branch Conditional to Count Register (**bctr***x*) instruction. Because the LR and CTR are SPRs, their contents can be copied to or from any GPR. Because the BPU uses dedicated registers rather than GPRs or FPRs, execution of branch instructions is largely independent from execution of integer and floating-point instructions.

### 1.2.2.3 Completion Unit

The completion unit operates closely with the instruction unit. Instructions are fetched and dispatched in program order. At the point of dispatch, the program order is maintained by assigning each dispatched instruction a successive entry in the six-entry completion queue. The completion unit tracks instructions from dispatch through execution and retires them in program order from the two bottom entries in the completion queue (CQ0 and CQ1).

Instructions cannot be dispatched to an execution unit unless there is a vacancy in the completion queue. Branch instructions that do not update the CTR or LR are removed from the instruction stream and do not take an entry in the completion queue. Instructions that update the CTR and LR follow the same dispatch and completion procedures as non-branch instructions, except that they are not issued to an execution unit.

Completing an instruction commits execution results to architected registers (GPRs, FPRs, LR, and CTR). In-order completion ensures the correct architectural state when the MPC750 must recover from a mispredicted branch or any exception. Retiring an instruction removes it from the completion queue.

For a more detailed discussion of instruction completion, see Section 6.3.3, “Instruction Dispatch and Completion Considerations.”

#### **1.2.2.4 Independent Execution Units**

In addition to the BPU, the MPC750 provides the five execution units described in the following sections.

##### **1.2.2.4.1 Integer Units (IUs)**

The integer units IU1 and IU2 are shown in Figure 1-1. The IU1 can execute any integer instruction; the IU2 can execute any integer instruction except multiplication and division instructions. Each IU has a single-entry reservation station that can receive instructions from the dispatch unit and operands from the GPRs or the rename buffers.

Each IU consists of three single-cycle subunits—a fast adder/comparator, a subunit for logical operations, and a subunit for performing rotates, shifts, and count-leading-zero operations. These subunits handle all one-cycle arithmetic instructions; only one subunit can execute an instruction at a time.

The IU1 has a 32-bit integer multiplier/divider as well as the adder, shift, and logical units of the IU2. The multiplier supports early exit for operations that do not require full 32- x 32-bit multiplication.

Each IU has a dedicated result bus (not shown in Figure 1-1) that connects to rename buffers.

##### **1.2.2.4.2 Floating-Point Unit (FPU)**

The FPU, shown in Figure 1-1, is designed such that single-precision operations require only a single pass, with a latency of three cycles. As instructions are dispatched to the FPU’s reservation station, source operand data can be accessed from the FPRs or from the FPR rename buffers. Results in turn are written to the rename buffers and are made available to subsequent instructions. Instructions pass through the reservation station in dispatch order.

The FPU contains a single-precision multiply-add array and the floating-point status and control register (FPSCR). The multiply-add array allows the MPC750 to efficiently implement multiply and multiply-add operations. The FPU is pipelined so that one single- or double-precision instruction can be issued per clock cycle. Thirty-two 64-bit floating-point registers are provided to support floating-point operations. Stalls due to contention for FPRs are minimized by automatic allocation of the six floating-point rename registers. The MPC750 writes the contents of the rename registers to the appropriate FPR when floating-point instructions are retired by the completion unit.

The MPC750 supports all IEEE 754 floating-point data types (normalized, denormalized, NaN, zero, and infinity) in hardware, eliminating the latency incurred by software exception routines. (Note that exception is also referred to as interrupt in the architecture specification.)

#### **1.2.2.4.3 Load/Store Unit (LSU)**

The LSU executes all load and store instructions and provides the data transfer interface between the GPRs, FPRs, and the cache/memory subsystem. The LSU calculates effective addresses, performs data alignment, and provides sequencing for load/store string and multiple instructions.

Load and store instructions are issued and translated in program order; however, some memory accesses can occur out of order. Synchronizing instructions can be used to enforce strict ordering. When there are no data dependencies and the guarded bit for the page or block is cleared, a maximum of one out-of-order cacheable load operation can execute per cycle, with a two-cycle total latency on a cache hit. Data returned from the cache is held in a rename register until the completion logic commits the value to a GPR or FPR. Stores cannot be executed out of order and are held in the store queue until the completion logic signals that the store operation is to be completed to memory. The MPC750 executes store instructions with a maximum throughput of one per cycle and a three-cycle total latency to the data cache. The time required to perform the actual load or store operation depends on the processor/bus clock ratio and whether the operation involves the on-chip cache, the L2 cache, system memory, or an I/O device.

#### **1.2.2.4.4 System Register Unit (SRU)**

The SRU executes various system-level instructions, as well as condition register logical operations and move to/from special-purpose register instructions. To maintain system state, most instructions executed by the SRU are execution-serialized; that is, the instruction is held for execution in the SRU until all previously issued instructions have executed. Results from execution-serialized instructions executed by the SRU are not available or forwarded for subsequent instructions until the instruction completes.

### 1.2.3 Memory Management Units (MMUs)

The MPC750's MMUs support up to 4 Petabytes ( $2^{52}$ ) of virtual memory and 4 Gigabytes ( $2^{32}$ ) of physical memory for instructions and data. The MMUs also control access privileges for these spaces on block and page granularities. Referenced and changed status is maintained by the processor for each page to support demand-paged virtual memory systems.

The LSU calculates effective addresses for data loads and stores; the instruction unit calculates effective addresses for instruction fetching. The MMU translates the effective address to determine the correct physical address for the memory access.

The MPC750 supports the following types of memory translation:

- Real addressing mode—In this mode, translation is disabled by clearing bits in the machine state register (MSR): MSR[IR] for instruction fetching or MSR[DR] for data accesses. When address translation is disabled, the physical address is identical to the effective address.
- Page address translation—translates the page frame address for a 4-Kbyte page size
- Block address translation—translates the base address for blocks (128 Kbytes to 256 Mbytes)

If translation is enabled, the appropriate MMU translates the higher-order bits of the effective address into physical address bits. The lower-order address bits (that are untranslated and therefore, considered both logical and physical) are directed to the on-chip caches where they form the index into the eight-way set-associative tag array. After translating the address, the MMU passes the higher-order physical address bits to the cache and the cache lookup completes. For caching-inhibited accesses or accesses that miss in the cache, the untranslated lower-order address bits are concatenated with the translated higher-order address bits; the resulting 32-bit physical address is used by the memory unit and the system interface, which accesses external memory.

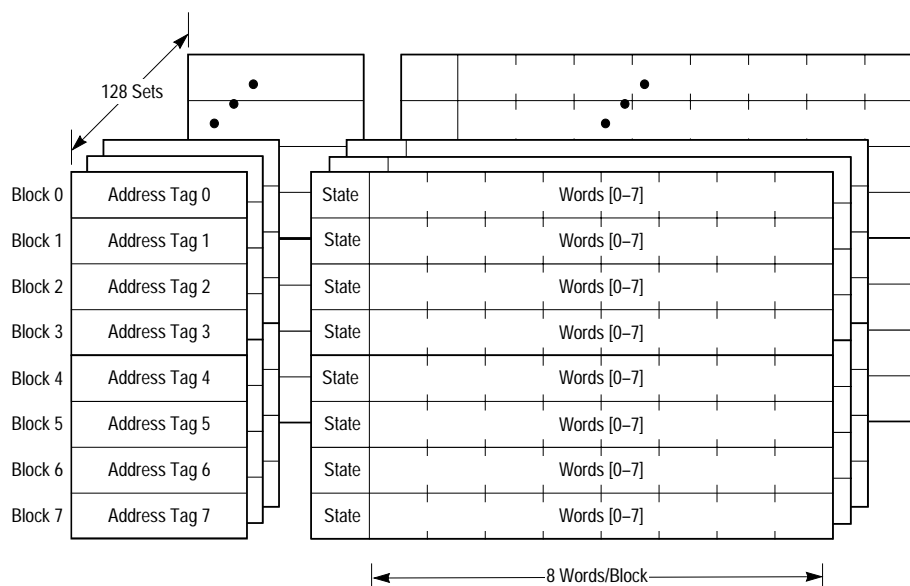
The TLBs store page address translations for recent memory accesses. For each access, an effective address is presented for page and block translation simultaneously. If a translation is found in both the TLB and the BAT array, the block address translation in the BAT array is used. Usually the translation is in a TLB and the physical address is readily available to the on-chip cache. When a page address translation is not in a TLB, hardware searches for one in the page table following the model defined by the PowerPC architecture.

Instruction and data TLBs provide address translation in parallel with the on-chip cache access, incurring no additional time penalty in the event of a TLB hit. The MPC750's TLBs are 128-entry, two-way set-associative caches that contain instruction and data address translations. The MPC750 automatically generates a TLB search on a TLB miss.

## 1.2.4 On-Chip Instruction and Data Caches

The MPC750 implements separate instruction and data caches. Each cache is 32-Kbyte and eight-way set associative. As defined by the PowerPC architecture, they are physically indexed. Each cache block contains eight contiguous words from memory that are loaded from an 8-word boundary (that is, bits EA[27–31] are zeros); thus, a cache block never crosses a page boundary. An entire cache block can be updated by a four-beat burst load. Misaligned accesses across a page boundary can incur a performance penalty. Caches are nonblocking, write-back caches with hardware support for reloading on cache misses. The critical double word is transferred on the first beat and is simultaneously written to the cache and forwarded to the requesting unit, minimizing stalls due to load delays. The cache being loaded is not blocked to internal accesses while the load completes.

The MPC750 cache organization is shown in Figure 1-2.



**Figure 1-2. Cache Organization**

Within one cycle, the data cache provides double-word access to the LSU. Like the instruction cache, the data cache can be invalidated all at once or on a per-cache-block basis. The data cache can be disabled and invalidated by clearing HID0[DCE] and setting HID0[DCFI]. The data cache can be locked by setting HID0[DLOCK]. To ensure cache coherency, the data cache supports the three-state MEI protocol. The data cache tags are single-ported, so a simultaneous load or store and a snoop access represent a resource collision. If a snoop hit occurs, the LSU is blocked internally for one cycle to allow the eight-word block of data to be copied to the write-back buffer.

Within one cycle, the instruction cache provides up to four instructions to the instruction queue. The instruction cache can be invalidated entirely or on a cache-block basis. The instruction cache can be disabled and invalidated by clearing HID0[ICE] and setting HID0[ICFI]. The instruction cache can be locked by setting HID0[ILOCK]. The instruction cache supports only the valid/invalid states.

The MPC750 also implements a 64-entry (16-set, four-way set-associative) branch target instruction cache (BTIC). The BTIC is a cache of branch instructions that have been encountered in branch/loop code sequences. If the target instruction is in the BTIC, it is fetched into the instruction queue a cycle sooner than it can be made available from the instruction cache. Typically the BTIC contains the first two instructions in the target stream. The BTIC can be disabled and invalidated through software.

For more information and timing examples showing cache hit and cache miss latencies, see Section 6.3.2, “Instruction Fetch Timing.”

### **1.2.5 L2 Cache Implementation (Not Supported in the MPC740)**

The L2 cache is a unified cache that receives memory requests from both the L1 instruction and data caches independently. The L2 cache is implemented with an on-chip, two-way, set-associative tag memory, and with external, synchronous SRAMs for data storage. The external SRAMs are accessed through a dedicated L2 cache port that supports a single bank of up to 1 Mbyte of synchronous SRAMs. The L2 cache normally operates in write-back mode and supports system cache coherency through snooping.

Depending on its size, the L2 cache is organized into 64- or 128-byte lines, which in turn are subdivided into 32-byte sectors (blocks), the unit at which cache coherency is maintained.

The L2 cache controller contains the L2 cache control register (L2CR), which includes bits for enabling parity checking, setting the L2-to-processor clock ratio, and identifying the type of RAM used for the L2 cache implementation. The L2 cache controller also manages the L2 cache tag array, two-way set-associative with 4K tags per way. Each sector (32-byte cache block) has its own valid and modified status bits.

Requests from the L1 cache generally result from instruction misses, data load or store misses, write-through operations, or cache management instructions. Requests from the L1 cache are looked up in the L2 tags and serviced by the L2 cache if they hit; they are forwarded to the bus interface if they miss.

The L2 cache can accept multiple, simultaneous accesses. The L1 instruction cache can request an instruction at the same time that the L1 data cache is requesting one load and two store operations. The L2 cache also services snoop requests from the bus. If there are multiple pending requests to the L2 cache, snoop requests have highest priority. The next priority consists of load and store requests from the L1 data cache. The next priority consists of instruction fetch requests from the L1 instruction cache.

For more information, see Chapter 9, “L2 Cache Interface Operation.”

### 1.2.6 System Interface/Bus Interface Unit (BIU)

The address and data buses operate independently; address and data tenures of a memory access are decoupled to provide a more flexible control of memory traffic. The primary activity of the system interface is transferring data and instructions between the processor and system memory. There are two types of memory accesses:

- Single-beat transfers—These memory accesses allow transfer sizes of 8, 16, 24, 32, or 64 bits in one bus clock cycle. Single-beat transactions are caused by uncacheable read and write operations that access memory directly (that is, when caching is disabled), cache-inhibited accesses, and stores in write-through mode.
- Four-beat burst (32 bytes) data transfers—Burst transactions, which always transfer an entire cache block (32 bytes), are initiated when an entire cache block is transferred. Because the first-level caches on the MPC750 are write-back caches, burst-read memory, burst operations are the most common memory accesses, followed by burst-write memory operations, and single-beat (noncacheable or write-through) memory read and write operations.

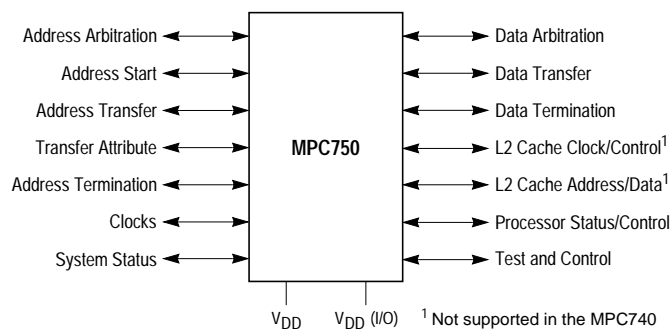
The MPC750 also supports address-only operations, variants of the burst and single-beat operations, (for example, atomic memory operations and global memory operations that are snooped), and address retry activity (for example, when a snooped read access hits a modified block in the cache). The broadcast of some address-only operations is controlled through HID0[ABE]. I/O accesses use the same protocol as memory accesses.

Access to the system interface is granted through an external arbitration mechanism that allows devices to compete for bus mastership. This arbitration mechanism is flexible, allowing the MPC750 to be integrated into systems that implement various fairness and bus parking procedures to avoid arbitration overhead.

Typically, memory accesses are weakly ordered—sequences of operations, including load/store string and multiple instructions, do not necessarily complete in the order they begin—maximizing the efficiency of the bus without sacrificing data coherency. The MPC750 allows read operations to go ahead of store operations (except when a dependency exists, or in cases where a noncacheable access is performed), and provides support for a write operation to go ahead of a previously queued read data tenure (for example, letting a snoop push be enveloped between address and data tenures of a read operation). Because the MPC750 can dynamically optimize run-time ordering of load/store traffic, overall performance is improved.

The system interface is specific for each PowerPC microprocessor implementation.

The MPC750 signals are grouped as shown in Figure 1-3. Signals are provided for clocking and control of the L2 caches, as well as separate L2 address and data buses. Test and control signals provide diagnostics for selected internal circuits.



**Figure 1-3. System Interface**

The system interface supports address pipelining, which allows the address tenure of one transaction to overlap the data tenure of another. The extent of the pipelining depends on external arbitration and control circuitry. Similarly, the MPC750 supports split-bus transactions for systems with multiple potential bus masters—one device can have mastership of the address bus while another has mastership of the data bus. Allowing multiple bus transactions to occur simultaneously increases the available bus bandwidth for other activity.

The MPC750’s clocking structure supports a wide range processor-to-bus clock ratios.

### 1.2.7 Signals

The MPC750’s signals are grouped as follows:

- Address arbitration signals—The MPC750 uses these signals to arbitrate for address bus mastership.
- Address start signals—These signals indicate that a bus master has begun a transaction on the address bus.
- Address transfer signals—These signals include the address bus and address parity signals. They are used to transfer the address and to ensure the integrity of the transfer.
- Transfer attribute signals—These signals provide information about the type of transfer, such as the transfer size and whether the transaction is bursted, write-through, or caching-inhibited.
- Address termination signals—These signals are used to acknowledge the end of the address phase of the transaction. They also indicate whether a condition exists that requires the address phase to be repeated.
- Data arbitration signals—The MPC750 uses these signals to arbitrate for data bus mastership.
- Data transfer signals—These signals, which consist of the data bus and data parity signals, are used to transfer the data and to ensure the integrity of the transfer.



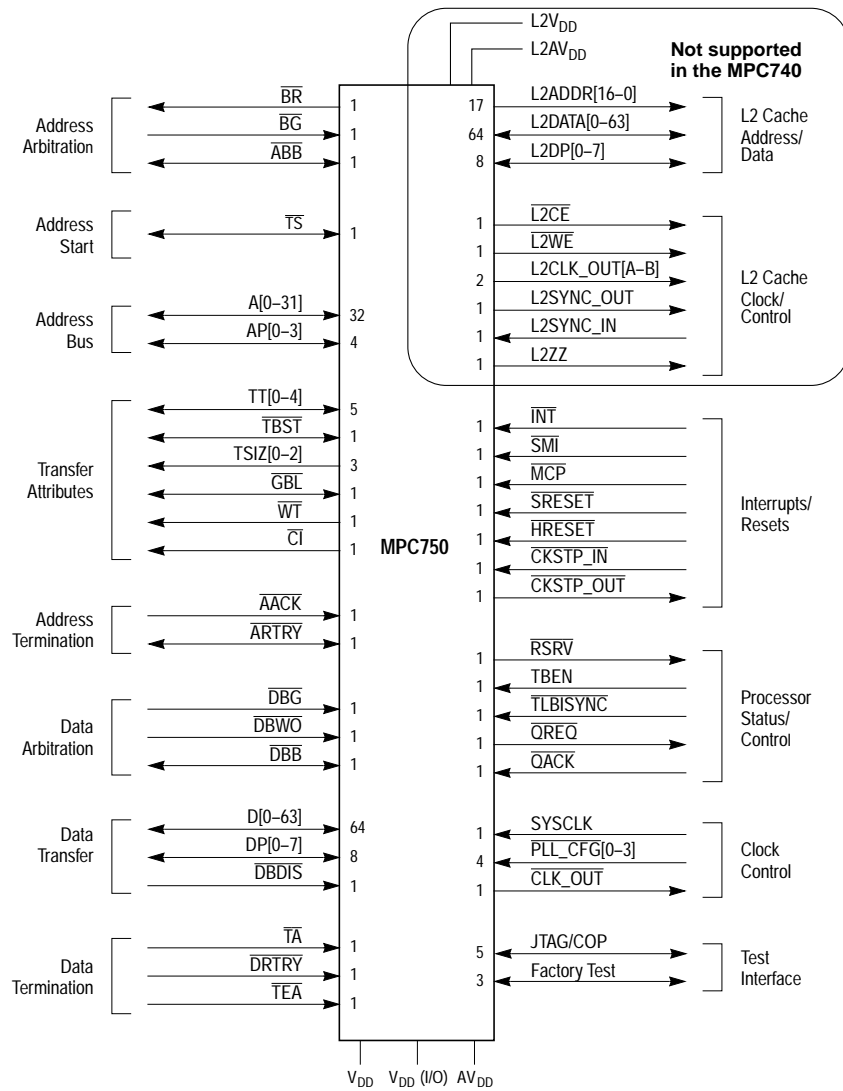
- Data termination signals—Data termination signals are required after each data beat in a data transfer. In a single-beat transaction, a data termination signal also indicates the end of the tenure; in burst accesses, data termination signals apply to individual beats and indicate the end of the tenure only after the final data beat. They also indicate whether a condition exists that requires the data phase to be repeated.
- L2 cache clock/control signals—These signals provide clocking and control for the L2 cache. (Not supported in the MPC740.)
- L2 cache address/data—The MPC750 has separate address and data buses for accessing the L2 cache. (Not supported in the MPC740.)
- Interrupt signals—These signals include the interrupt signal, checkstop signals, and both soft reset and hard reset signals. These signals are used to generate interrupt exceptions and, under various conditions, to reset the processor.
- Processor status/control signals—These signals are used to set the reservation coherency bit, enable the time base, and other functions.
- Miscellaneous signals—These signals are used in conjunction with such resources as secondary caches and the time base facility.
- JTAG/COP interface signals—The common on-chip processor (COP) unit provides a serial interface to the system for performing board-level boundary scan interconnect tests.
- Clock signals—These signals determine the system clock frequency. These signals can also be used to synchronize multiprocessor systems.

#### NOTE

A bar over a signal name indicates that the signal is active low—for example,  $\overline{\text{ARTRY}}$  (address retry) and  $\overline{\text{TS}}$  (transfer start). Active-low signals are referred to as asserted (active) when they are low and negated when they are high. Signals that are not active low, such as AP[0–3] (address bus parity signals) and TT[0–4] (transfer type signals) are referred to as asserted when they are high and negated when they are low.

### 1.2.8 Signal Configuration

Figure 1-4 shows the MPC750's logical pin configuration. The signals are grouped by function.



**Figure 1-4. MPC750 Microprocessor Signal Groups**

Signal functionality is described in detail in Chapter 7, “Signal Descriptions,” and Chapter 8, “System Interface Operation.”

### 1.2.9 Clocking

The MPC750 requires a single system clock input, SYSCLK, that represents the bus interface frequency. Internally, the processor uses a phase-locked loop (PLL) circuit to generate a master core clock that is frequency-multiplied and phase-locked to the SYSCLK input. This core frequency is used to operate the internal circuitry.

The PLL is configured by the PLL\_CFG[0–3] signals, which select the multiplier that the PLL uses to multiply the SYSCLK frequency up to the internal core frequency. The feedback in the PLL guarantees that the processor clock is phase locked to the bus clock, regardless of process variations, temperature changes, or parasitic capacitances. The PLL also ensures a 50% duty cycle for the processor clock.

The MPC750 supports various processor-to-bus clock frequency ratios, although not all ratios are available for all frequencies. Configuration of the processor/bus clock ratios is displayed through a MPC750-specific register, HID1. For information about supported clock frequencies, see the MPC750 hardware specifications.

## 1.3 MPC750 Microprocessor: Implementation

The PowerPC architecture is derived from the POWER architecture (Performance Optimized with Enhanced RISC architecture). The PowerPC architecture shares the benefits of the POWER architecture optimized for single-chip implementations. The PowerPC architecture design facilitates parallel instruction execution and is scalable to take advantage of future technological gains.

This section describes the PowerPC architecture in general, and specific details about the implementation of the MPC750 as a low-power, 32-bit member of the PowerPC processor family. The structure of this section follows the organization of the user's manual; each subsection provides an overview of each chapter.

- Registers and programming model—Section 1.4, “PowerPC Registers and Programming Model,” describes the registers for the operating environment architecture common among PowerPC processors and describes the programming model. It also describes the registers that are unique to the MPC750. The information in this section is described more fully in Chapter 2, “MPC750 Processor Programming Model.”
- Instruction set and addressing modes—Section 1.5, “Instruction Set,” describes the PowerPC instruction set and addressing modes for the PowerPC operating environment architecture, and defines and describes the PowerPC instructions implemented in the MPC750. The information in this section is described more fully in Chapter 2, “MPC750 Processor Programming Model.”

- Cache implementation—Section 1.6, “On-Chip Cache Implementation,” describes the cache model that is defined generally for PowerPC processors by the virtual environment architecture. It also provides specific details about the MPC750 cache implementation. The information in this section is described more fully in Chapter 3, “L1 Instruction and Data Cache Operation.”
- Exception model—Section 1.7, “Exception Model,” describes the exception model of the PowerPC operating environment architecture and the differences in the MPC750 exception model. The information in this section is described more fully in Chapter 4, “Exceptions.”
- Memory management—Section 1.8, “Memory Management,” describes generally the conventions for memory management among the PowerPC processors. This section also describes the MPC750’s implementation of the 32-bit PowerPC memory management specification. The information in this section is described more fully in Chapter 5, “Memory Management
- Instruction timing—Section 1.9, “Instruction Timing,” provides a general description of the instruction timing provided by the superscalar, parallel execution supported by the PowerPC architecture and the MPC750. The information in this section is described more fully in Chapter 6, “Instruction Timing,”
- Power management—Section 1.10, “Power Management,” describes how the power management can be used to reduce power consumption when the processor, or portions of it, are idle. The information in this section is described more fully in Chapter 10, “Power and Thermal Management.”
- Thermal management—Section 1.11, “Thermal Management,” describes how the thermal management unit and its associated registers (THRM1–THRM3) and exception can be used to manage system activity in a way that prevents exceeding system and junction temperature thresholds. This is particularly useful in high-performance portable systems, which cannot use the same cooling mechanisms (such as fans) that control overheating in desktop systems. The information in this section is described more fully in Chapter 10, “Power and Thermal Management.”
- Performance monitor—Section 1.12, “Performance Monitor,” describes the performance monitor facility, which system designers can use to help bring up, debug, and optimize software performance. The information in this section is described more fully in Chapter 10, “Power and Thermal Management.”

The following sections summarize the features of the MPC750, distinguishing those that are defined by the architecture and from those that are unique to the MPC750 implementation.

The PowerPC architecture consists of the following layers, and adherence to the PowerPC architecture can be described in terms of which of the following levels of the architecture is implemented:

- PowerPC user instruction set architecture (UISA)—Defines the base user-level instruction set, user-level registers, data types, floating-point exception model, memory models for a uniprocessor environment, and programming model for a uniprocessor environment.
- PowerPC virtual environment architecture (VEA)—Describes the memory model for a multiprocessor environment, defines cache control instructions, and describes other aspects of virtual environments. Implementations that conform to the VEA also adhere to the UISA, but may not necessarily adhere to the OEA.
- PowerPC operating environment architecture (OEA)—Defines the memory management model, supervisor-level registers, synchronization requirements, and the exception model. Implementations that conform to the OEA also adhere to the UISA and the VEA.

The PowerPC architecture allows a wide range of designs for such features as cache and system interface implementations. The MPC750 implementations support the three levels of the architecture described above. For more information about the PowerPC architecture, see *PowerPC Microprocessor Family: The Programming Environments*.

Specific features of the MPC750 are listed in Section 1.2, “MPC750 Microprocessor Features.”

## 1.4 PowerPC Registers and Programming Model

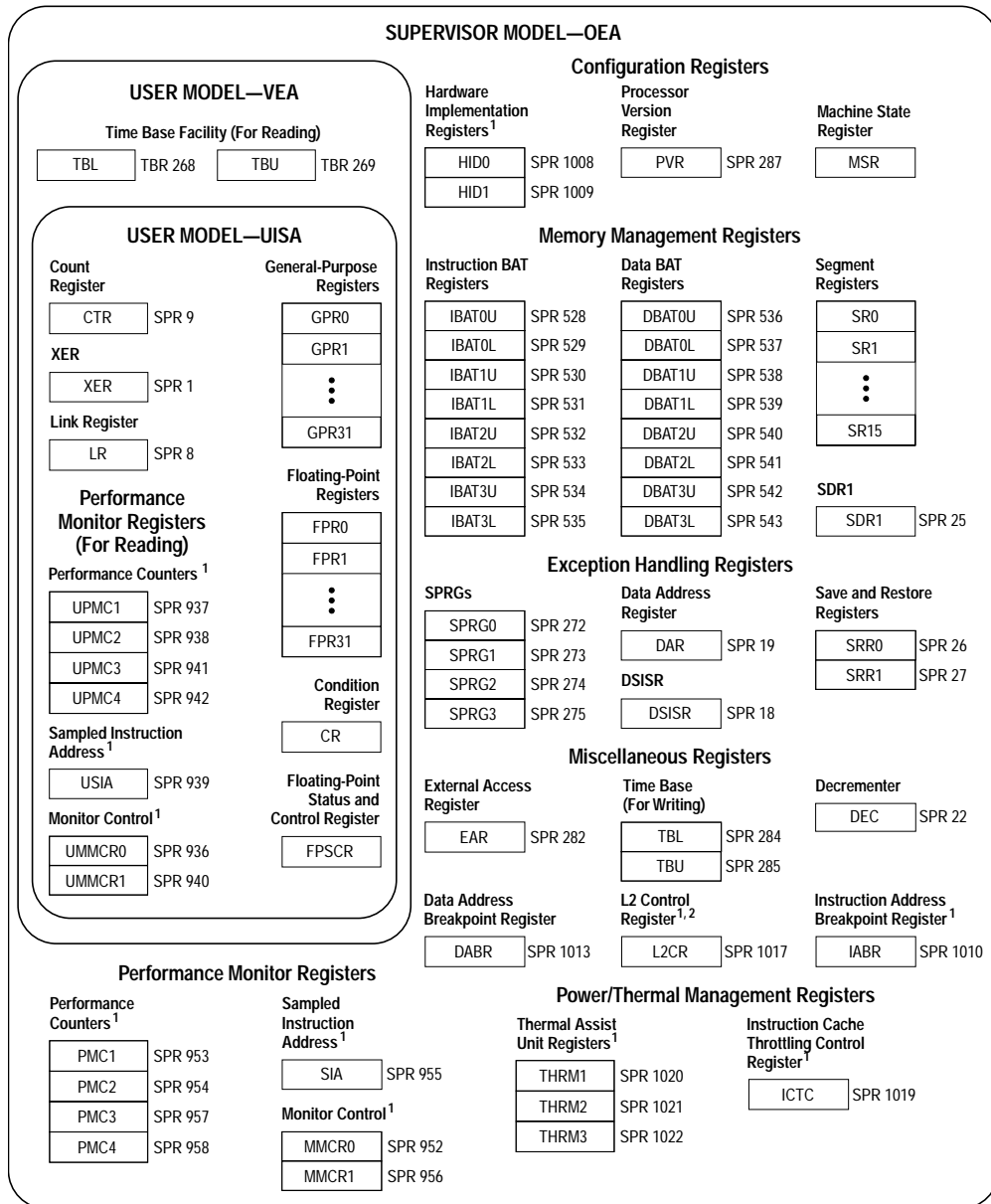
The PowerPC architecture defines register-to-register operations for most computational instructions. Source operands for these instructions are accessed from the registers or are provided as immediate values embedded in the instruction opcode. The three-register instruction format allows specification of a target register distinct from the two source operands. Load and store instructions transfer data between registers and memory.

PowerPC processors have two levels of privilege—supervisor mode of operation (typically used by the operating system) and user mode of operation (used by the application software). The programming models incorporate 32 GPRs, 32 FPRs, special-purpose registers (SPRs), and several miscellaneous registers. Each PowerPC microprocessor also has its own unique set of hardware implementation-dependent (HID) registers.

Having access to privileged instructions, registers, and other resources allows the operating system to control the application environment (providing virtual memory and protecting operating-system and critical machine resources). Instructions that control the state of the processor, the address translation mechanism, and supervisor registers can be executed only when the processor is operating in supervisor mode.

Figure 1-5 shows all the MPC750 registers available at the user and supervisor level. The numbers to the right of the SPRs indicate the number that is used in the syntax of the instruction operands to access the register.

For more information, see Chapter 2, “MPC750 Processor Programming Model.”



The following tables summarize the PowerPC registers implemented in the MPC750; Table 1-1 describes registers (excluding SPRs) defined by the architecture.

**Table 1-1. Architecture-Defined Registers on the MPC750 (Excluding SPRs)**

Register	Level	Function
CR	User	The condition register (CR) consists of eight four-bit fields that reflect the results of certain operations, such as move, integer and floating-point compare, arithmetic, and logical instructions, and provide a mechanism for testing and branching.
FPRs	User	The 32 floating-point registers (FPRs) serve as the data source or destination for floating-point instructions. These 64-bit registers can hold either single- or double-precision floating-point values.
FPSCR	User	The floating-point status and control register (FPSCR) contains the floating-point exception signal bits, exception summary bits, exception enable bits, and rounding control bits needed for compliance with the IEEE-754 standard.
GPRs	User	The 32 GPRs serve as the data source or destination for integer instructions.
MSR	Supervisor	The machine state register (MSR) defines the processor state. Its contents are saved when an exception is taken and restored when exception handling completes. The MPC750 implements MSR[POW], (defined by the architecture as optional), which is used to enable the power management feature. The MPC750-specific MSR[PM] bit is used to mark a process for the performance monitor.
SR0–SR15	Supervisor	The sixteen 32-bit segment registers (SRs) define the 4-Gbyte space as sixteen 256-Mbyte segments. The MPC750 implements segment registers as two arrays—a main array for data accesses and a shadow array for instruction accesses; see Figure 1-1. Loading a segment entry with the Move to Segment Register ( <b>mtsr</b> ) instruction loads both arrays. The <b>mfsr</b> instruction reads the master register, shown as part of the data MMU in Figure 1-1.

The OEA defines numerous special-purpose registers that serve a variety of functions, such as providing controls, indicating status, configuring the processor, and performing special operations. During normal execution, a program can access the registers, shown in Figure 1-5, depending on the program’s access privilege (supervisor or user, determined by the privilege-level (PR) bit in the MSR). GPRs and FPRs are accessed through operands that are part of the instructions. Access to registers can be explicit (that is, through the use of specific instructions for that purpose such as Move to Special-Purpose Register (**mtspr**) and Move from Special-Purpose Register (**mfspr**) instructions) or implicit, as the part of the execution of an instruction. Some registers can be accessed both explicitly and implicitly.

In the MPC750, all SPRs are 32 bits wide. Table 1-2 describes the architecture-defined SPRs implemented by the MPC750. *The Programming Environments Manual* describes these registers in detail, including bit descriptions. Section 2.1.1, “Register Set,” describes how these registers are implemented in the MPC750. In particular, this section describes which features the PowerPC architecture defines as optional are implemented on the MPC750.



**Table 1-2. Architecture-Defined SPRs Implemented by the MPC750**

Register	Level	Function
LR	User	The link register (LR) can be used to provide the branch target address and to hold the return address after branch and link instructions.
BATs	Supervisor	The architecture defines 16 block address translation registers (BATs), which operate in pairs. There are four pairs of data BATs (DBATs) and four pairs of instruction BATs (IBATs). BATs are used to define and configure blocks of memory.
CTR	User	The count register (CTR) is decremented and tested by branch-and-count instructions.
DABR	Supervisor	The optional data address breakpoint register (DABR) supports the data address breakpoint facility.
DAR	User	The data address register (DAR) holds the address of an access after an alignment or DSI exception.
DEC	Supervisor	The decremter register (DEC) is a 32-bit decrementing counter that provides a way to schedule decremter exceptions.
DSISR	User	The DSISR defines the cause of data access and alignment exceptions.
EAR	Supervisor	The external access register (EAR) controls access to the external access facility through the External Control In Word Indexed ( <b>eciwx</b> ) and External Control Out Word Indexed ( <b>ecowx</b> ) instructions.
PVR	Supervisor	The processor version register (PVR) is a read-only register that identifies the processor.
SDR1	Supervisor	SDR1 specifies the page table format used in virtual-to-physical page address translation.
SRR0	Supervisor	The machine status save/restore register 0 (SRR0) saves the address used for restarting an interrupted program when a Return from Interrupt ( <b>rfi</b> ) instruction executes.
SRR1	Supervisor	The machine status save/restore register 1 (SRR1) is used to save machine status on exceptions and to restore machine status when an <b>rfi</b> instruction is executed.
SPRG0– SPRG3	Supervisor	SPRG0–SPRG3 are provided for operating system use.
TB	User: read Supervisor: read/write	The time base register (TB) is a 64-bit register that maintains the time of day and operates interval timers. The TB consists of two 32-bit fields—time base upper (TBU) and time base lower (TBL).
XER	User	The XER contains the summary overflow bit, integer carry bit, overflow bit, and a field specifying the number of bytes to be transferred by a Load String Word Indexed ( <b>lswx</b> ) or Store String Word Indexed ( <b>stswx</b> ) instruction.

Table 1-3 describes the supervisor-level SPRs in the MPC750 that are not defined by the PowerPC architecture. Section 2.1.2, “MPC750-Specific Registers,” gives detailed descriptions of these registers, including bit descriptions.

**Table 1-3. MPC750-Specific Registers**

Register	Level	Function
HID0	Supervisor	The hardware implementation-dependent register 0 (HID0) provides checkstop enables and other functions.
HID1	Supervisor	The hardware implementation-dependent register 1 (HID1) allows software to read the configuration of the PLL configuration signals.
IABR	Supervisor	The instruction address breakpoint register (IABR) supports instruction address breakpoint exceptions. It can hold an address to compare with instruction addresses in the IQ. An address match causes an instruction address breakpoint exception.
ICTC	Supervisor	The instruction cache-throttling control register (ICTC) has bits for controlling the interval at which instructions are fetched into the instruction buffer in the instruction unit. This helps control the MPC750's overall junction temperature.
L2CR	Supervisor	The L2 cache control register (L2CR) is used to configure and operate the L2 cache. It has bits for enabling parity checking, setting the L2-to-processor clock ratio, and identifying the type of RAM used for the L2 cache implementation. (The L2 cache feature is not supported in the MPC740.)
MMCR0–MMCR1	Supervisor	The monitor mode control registers (MMCR0–MMCR1) are used to enable various performance monitoring interrupt functions. UMMCR0–UMMCR1 provide user-level read access to MMCR0–MMCR1.
PMC1–PMC4	Supervisor	The performance monitor counter registers (PMC1–PMC4) are used to count specified events. UPMC1–UPMC4 provide user-level read access to these registers.
SIA	Supervisor	The sampled instruction address register (SIA) holds the EA of an instruction executing at or around the time the processor signals the performance monitor interrupt condition. The USIA register provides user-level read access to the SIA.
THRM1, THRM2	Supervisor	THRM1 and THRM2 provide a way to compare the junction temperature against two user-provided thresholds. The thermal assist unit (TAU) can be operated so that the thermal sensor output is compared to only one threshold, selected in THRM1 or THRM2.
THRM3	Supervisor	THRM3 is used to enable the TAU and to control the output sample time.
UMMCR0–UMMCR1	User	The user monitor mode control registers (UMMCR0–UMMCR1) provide user-level read access to MMCR0–MMCR1.
UPMC1–UPMC4	User	The user performance monitor counter registers (UPMC1–UPMC4) provide user-level read access to PMC1–PMC4.
USIA	User	The user sampled instruction address register (USIA) provides user-level read access to the SIA register.

## 1.5 Instruction Set

All PowerPC instructions are encoded as single-word (32-bit) opcodes. Instruction formats are consistent among all instruction types, permitting efficient decoding to occur in parallel with operand accesses. This fixed instruction length and consistent format greatly simplifies instruction pipelining.

For more information, see Chapter 2, “MPC750 Processor Programming Model.”

### 1.5.1 PowerPC Instruction Set

The PowerPC instructions are divided into the following categories:

- Integer instructions—These include computational and logical instructions.
  - Integer arithmetic instructions
  - Integer compare instructions
  - Integer logical instructions
  - Integer rotate and shift instructions
- Floating-point instructions—These include floating-point computational instructions, as well as instructions that affect the FPSCR.
  - Floating-point arithmetic instructions
  - Floating-point multiply/add instructions
  - Floating-point rounding and conversion instructions
  - Floating-point compare instructions
  - Floating-point status and control instructions
- Load/store instructions—These include integer and floating-point load and store instructions.
  - Integer load and store instructions
  - Integer load and store multiple instructions
  - Floating-point load and store
  - Primitives used to construct atomic memory operations (**lwarx** and **stwcx** instructions)
- Flow control instructions—These include branching instructions, condition register logical instructions, trap instructions, and other instructions that affect the instruction flow.
  - Branch and trap instructions
  - Condition register logical instructions
- Processor control instructions—These instructions are used for synchronizing memory accesses and management of caches, TLBs, and the segment registers.
  - Move to/from SPR instructions
  - Move to/from MSR
  - Synchronize
  - Instruction synchronize
  - Order loads and stores

- Memory control instructions—These instructions provide control of caches, TLBs, and SRs.
  - Supervisor-level cache management instructions
  - User-level cache instructions
  - Segment register manipulation instructions
  - Translation lookaside buffer management instructions

This grouping does not indicate the execution unit that executes a particular instruction or group of instructions.

Integer instructions operate on byte, half-word, and word operands. Floating-point instructions operate on single-precision (one word) and double-precision (one double word) floating-point operands. The PowerPC architecture uses instructions that are four bytes long and word-aligned. It provides for byte, half-word, and word operand loads and stores between memory and a set of 32 GPRs. It also provides for word and double-word operand loads and stores between memory and a set of 32 floating-point registers (FPRs).

Computational instructions do not modify memory. To use a memory operand in a computation and then modify the same or another memory location, the memory contents must be loaded into a register, modified, and then written back to the target location with distinct instructions.

PowerPC processors follow the program flow when they are in the normal execution state. However, the flow of instructions can be interrupted directly by the execution of an instruction or by an asynchronous event. Either kind of exception may cause one of several components of the system software to be invoked.

Effective address computations for both data and instruction accesses use 32-bit unsigned binary arithmetic. A carry from bit 0 is ignored in 32-bit implementations.

### 1.5.2 MPC750 Microprocessor Instruction Set

The MPC750 instruction set is defined as follows:

- The MPC750 provides hardware support for all 32-bit PowerPC instructions.
- The MPC750 implements the following instructions optional to the PowerPC architecture:
  - External Control In Word Indexed (**eciwx**)
  - External Control Out Word Indexed (**ecowx**)
  - Floating Select (**fsel**)
  - Floating Reciprocal Estimate Single-Precision (**fres**)
  - Floating Reciprocal Square Root Estimate (**frsqrte**)
  - Store Floating-Point as Integer Word (**stfiwx**)

## 1.6 On-Chip Cache Implementation

The following subsections describe the PowerPC architecture's treatment of cache in general, and the MPC750-specific implementation, respectively. A detailed description of the MPC750 cache implementation is provided in Chapter 3, "L1 Instruction and Data Cache Operation."

### 1.6.1 PowerPC Cache Model

The PowerPC architecture does not define hardware aspects of cache implementations. For example, PowerPC processors can have unified caches, separate instruction and data caches (Harvard architecture), or no cache at all. PowerPC microprocessors control the following memory access modes on a page or block basis:

- Write-back/write-through mode
- Caching-inhibited mode
- Memory coherency

The caches are physically addressed, and the data cache can operate in either write-back or write-through mode as specified by the PowerPC architecture.

The PowerPC architecture defines the term 'cache block' as the cacheable unit. The VEA and OEA define cache management instructions a programmer can use to affect cache contents.

### 1.6.2 MPC750 Microprocessor Cache Implementation

The MPC750 cache implementation is described in Section 1.2.4, "On-Chip Instruction and Data Caches," and Section 1.2.5, "L2 Cache Implementation (Not Supported in the MPC740)." The BPU also contains a 64-entry BTIC that provides immediate access to cached target instructions. For more information, see Section 1.2.2.2, "Branch Processing Unit (BPU)."

## 1.7 Exception Model

The following sections describe the PowerPC exception model and the MPC750 implementation. A detailed description of the MPC750 exception model is provided in Chapter 4, "Exceptions."

### 1.7.1 PowerPC Exception Model

The PowerPC exception mechanism allows the processor to interrupt the instruction flow to handle certain situations caused by external signals, errors, or unusual conditions arising from the instruction execution. When exceptions occur, information about the state of the processor is saved to certain registers and the processor begins execution at an address (exception vector) predetermined for each exception. Exception processing occurs in supervisor mode.

Although multiple exception conditions can map to a single exception vector, a more specific condition may be determined by examining a register associated with the exception—for example, the DSISR and the FPSCR. Additionally, some exception conditions can be enabled or disabled explicitly by software.

The PowerPC architecture requires that exceptions be handled in program order; therefore, although a particular implementation may recognize exception conditions out of order, they are handled in order. When an instruction-caused exception is recognized, any unexecuted instructions that appear earlier in the instruction stream, including any that are undispatched, are required to complete before the exception is taken, and any exceptions those instructions cause must also be handled first. Likewise, asynchronous, precise exceptions are recognized when they occur, but are not handled until the instructions currently in the completion queue successfully retire or generate an exception, and the completion queue is emptied.

Unless a catastrophic condition causes a system reset or machine check exception, only one exception is handled at a time. For example, if one instruction encounters multiple exception conditions, those conditions are handled sequentially. After the exception handler handles an exception, the instruction processing continues until the next exception condition is encountered. Recognizing and handling exception conditions sequentially guarantees that exceptions are recoverable.

When an exception is taken, information about the processor state before the exception was taken is saved in SRR0 and SRR1. Exception handlers should save the information stored in SRR0 and SRR1 early to prevent the program state from being lost due to a system reset and machine check exception or to an instruction-caused exception in the exception handler, and before enabling external interrupts.

The PowerPC architecture supports four types of exceptions:

- Synchronous, precise—These are caused by instructions. All instruction-caused exceptions are handled precisely; that is, the machine state at the time the exception occurs is known and can be completely restored. This means that (excluding the trap and system call exceptions) the address of the faulting instruction is provided to the exception handler and that neither the faulting instruction nor subsequent instructions in the code stream will complete execution before the exception is taken. Once the exception is processed, execution resumes at the address of the faulting instruction (or at an alternate address provided by the exception handler). When an exception is taken due to a trap or system call instruction, execution resumes at an address provided by the handler.
- Synchronous, imprecise—The PowerPC architecture defines two imprecise floating-point exception modes, recoverable and nonrecoverable. Even though the MPC750 provides a means to enable the imprecise modes, it implements these modes identically to the precise mode (that is, enabled floating-point exceptions are always precise).

- Asynchronous, maskable—The PowerPC architecture defines external and decrementer interrupts as maskable, asynchronous exceptions. When these exceptions occur, their handling is postponed until the next instruction, and any exceptions associated with that instruction, completes execution. If no instructions are in the execution units, the exception is taken immediately upon determination of the correct restart address (for loading SRR0). As shown in Table 1-4, the MPC750 implements additional asynchronous, maskable exceptions.
- Asynchronous, nonmaskable—There are two nonmaskable asynchronous exceptions: system reset and the machine check exception. These exceptions may not be recoverable, or may provide a limited degree of recoverability. Exceptions report recoverability through the MSR[RI] bit.

## 1.7.2 MPC750 Microprocessor Exception Implementation

The MPC750 exception classes described above are shown in Table 1-4.

**Table 1-4. MPC750 Microprocessor Exception Classifications**

Synchronous/Asynchronous	Precise/Imprecise	Exception Type
Asynchronous, nonmaskable	Imprecise	Machine check, system reset
Asynchronous, maskable	Precise	External, decrementer, system management, performance monitor, and thermal management interrupts
Synchronous	Precise	Instruction-caused exceptions

Although exceptions have other characteristics, such as priority and recoverability, Table 1-4 describes categories of exceptions the MPC750 handles uniquely. Table 1-4 includes no synchronous imprecise exceptions; although the PowerPC architecture supports imprecise handling of floating-point exceptions, the MPC750 implements these exception modes precisely. Table 1-5 lists MPC750 exceptions and conditions that cause them. Exceptions specific to the MPC750 are indicated.

**Table 1-5. Exceptions and Conditions**

Exception Type	Vector Offset (hex)	Causing Conditions
Reserved	00000	—
System reset	00100	Assertion of either $\overline{\text{HRESET}}$ or $\overline{\text{SRESET}}$ or at power-on reset
Machine check	00200	Assertion of $\overline{\text{TEA}}$ during a data bus transaction, assertion of MCP, or an address, data, or L2 bus parity error. MSR[ME] must be set.
DSI	00300	As specified in the PowerPC architecture. For TLB misses on load, store, or cache operations, a DSI exception occurs if a page fault occurs.
ISI	00400	As defined by the PowerPC architecture.
External interrupt	00500	MSR[EE] = 1 and $\overline{\text{INT}}$ is asserted.

**Table 1-5. Exceptions and Conditions (Continued)**

Exception Type	Vector Offset (hex)	Causing Conditions
Alignment	00600	<ul style="list-style-type: none"> <li>• A floating-point load/store, <b>stmw</b>, <b>stwcx</b>, <b>lmsw</b>, <b>lwarx</b>, <b>eciw</b> or <b>ecow</b> instruction operand is not word-aligned.</li> <li>• A multiple/string load/store operation is attempted in little-endian mode.</li> <li>• The operand of <b>dcbz</b> is in memory that is write-through-required or caching-inhibited or the cache is disabled</li> </ul>
Program	00700	As defined by the PowerPC architecture.
Floating-point unavailable	00800	As defined by the PowerPC architecture.
Decrementer	00900	As defined by the PowerPC architecture, when the most significant bit of the DEC register changes from 0 to 1 and MSR[EE] = 1.
Reserved	00A00–00BFF	—
System call	00C00	Execution of the System Call ( <b>sc</b> ) instruction.
Trace	00D00	MSR[SE] = 1 or a branch instruction completes and MSR[BE] = 1. Unlike the architecture definition, <b>isync</b> does not cause a trace exception
Reserved	00E00	The MPC750 does not generate an exception to this vector. Other PowerPC processors may use this vector for floating-point assist exceptions.
Reserved	00E10–00EFF	—
Performance monitor <sup>1</sup>	00F00	The limit specified in a PMC register is reached and MMCR0[ENINT] = 1
Instruction address breakpoint <sup>1</sup>	01300	IABR[0–29] matches EA[0–29] of the next instruction to complete, IABR[TE] matches MSR[IR], and IABR[BE] = 1.
System management interrupt <sup>1</sup>	01400	MSR[EE] = 1 and SM $\bar{I}$ is asserted.
Reserved	01500–016FF	—
Thermal management interrupt <sup>1</sup>	01700	Thermal management is enabled, the junction temperature exceeds the threshold specified in THRM1 or THRM2, and MSR[EE] = 1.
Reserved	01800–02FFF	—

**Note:**

<sup>1</sup>MPC750-specific

## 1.8 Memory Management

The following subsections describe the memory management features of the PowerPC architecture, and the MPC750 implementation, respectively. A detailed description of the MPC750 MMU implementation is provided in Chapter 5, “Memory Management.”



### 1.8.1 PowerPC Memory Management Model

The primary functions of the MMU are to translate logical (effective) addresses to physical addresses for memory accesses and to provide access protection on blocks and pages of memory. There are two types of accesses generated by the MPC750 that require address translation—instruction accesses, and data accesses to memory generated by load, store, and cache control instructions.

The PowerPC architecture defines different resources for 32- and 64-bit processors; the MPC750 implements the 32-bit memory management model. The memory-management model provides 4 Gbytes of logical address space accessible to supervisor and user programs with a 4-Kbyte page size and 256-Mbyte segment size. BAT block sizes range from 128 Kbyte to 256 Mbyte and are software selectable. In addition, it defines an interim 52-bit virtual address and hashed page tables for generating 32-bit physical addresses.

The architecture also provides independent four-entry BAT arrays for instructions and data that maintain address translations for blocks of memory. These entries define blocks that can vary from 128 Kbytes to 256 Mbytes. The BAT arrays are maintained by system software.

The PowerPC MMU and exception model support demand-paged virtual memory. Virtual memory management permits execution of programs larger than the size of physical memory; demand-paged implies that individual pages are loaded into physical memory from system memory only when they are first accessed by an executing program.

The hashed page table is a variable-sized data structure that defines the mapping between virtual page numbers and physical page numbers. The page table size is a power of 2, and its starting address is a multiple of its size. The page table contains a number of page table entry groups (PTEGs). A PTEG contains eight page table entries (PTEs) of eight bytes each; therefore, each PTEG is 64 bytes long. PTEG addresses are entry points for table search operations.

Setting MSR[IR] enables instruction address translations and MSR[DR] enables data address translations. If the bit is cleared, the respective effective address is the same as the physical address.

### 1.8.2 MPC750 Microprocessor Memory Management Implementation

The MPC750 implements separate MMUs for instructions and data. It implements a copy of the segment registers in the instruction MMU, however, read and write accesses (**mfsr** and **mtsr**) are handled through the segment registers implemented as part of the data MMU. The MPC750 MMU is described in Section 1.2.3, “Memory Management Units (MMUs).”

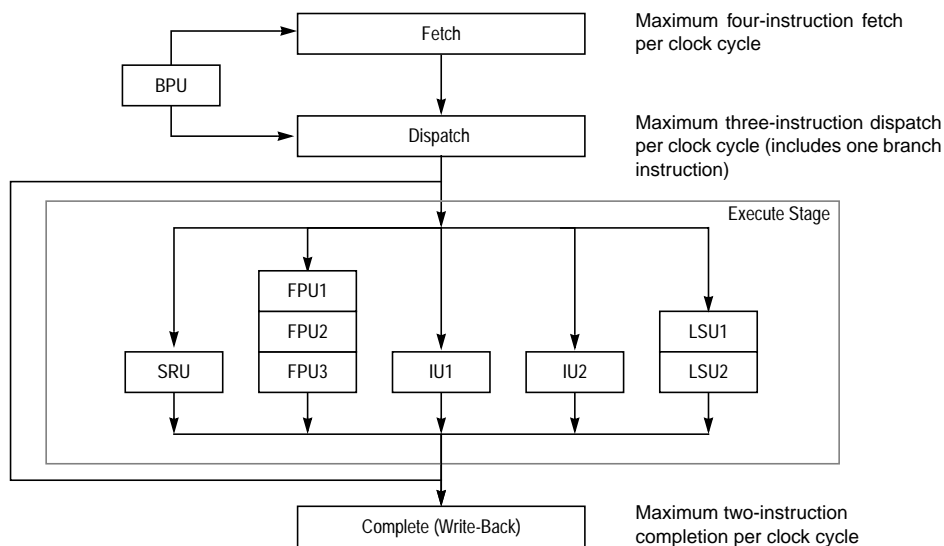
The R (referenced) bit is updated in the PTE in memory (if necessary) during a table search due to a TLB miss. Updates to the C (changed) bit are treated like TLB misses. A complete table search is performed and the entire TLB entry is rewritten to update the C bit.

## 1.9 Instruction Timing

The MPC750 is a pipelined, superscalar processor. A pipelined processor is one in which instruction processing is divided into discrete stages, allowing work to be done on different instructions in each stage. For example, after an instruction completes one stage, it can pass on to the next stage leaving the previous stage available to the subsequent instruction. This improves overall instruction throughput.

A superscalar processor is one that issues multiple independent instructions into separate execution units, allowing instructions to execute in parallel. The MPC750 has six independent execution units, two for integer instructions, and one each for floating-point instructions, branch instructions, load/store instructions, and system register instructions. Having separate GPRs and FPRs allows integer, floating-point calculations, and load and store operations to occur simultaneously without interference. Additionally, rename buffers are provided to allow operations to post execution results for use by subsequent instructions without committing them to the architected FPRs and GPRs.

As shown in Figure 1-6, the common pipeline of the MPC750 has four stages through which all instructions must pass—fetch, decode/dispatch, execute, and complete/write back. Some instructions occupy multiple stages simultaneously and some individual execution units have additional stages. For example, the floating-point pipeline consists of three stages through which all floating-point instructions must pass.



**Figure 1-6. Pipeline Diagram**

Note that Figure 1-6 does not show features, such as reservation stations and rename buffers that reduce stalls and improve instruction throughput.

The instruction pipeline in the MPC750 has four major pipeline stages, described as follows:

- The fetch pipeline stage primarily involves retrieving instructions from the memory system and determining the location of the next instruction fetch. The BPU decodes branches during the fetch stage and removes those that do not update CTR or LR from the instruction stream.
- The dispatch stage is responsible for decoding the instructions supplied by the instruction fetch stage and determining which instructions can be dispatched in the current cycle. If source operands for the instruction are available, they are read from the appropriate register file or rename register to the execute pipeline stage. If a source operand is not available, dispatch provides a tag that indicates which rename register will supply the operand when it becomes available. At the end of the dispatch stage, the dispatched instructions and their operands are latched by the appropriate execution unit.
- Instructions executed by the IUs, FPU, SRU, and LSU are dispatched from the bottom two positions in the instruction queue. In a single clock cycle, a maximum of two instructions can be dispatched to these execution units in any combination. When an instruction is dispatched, it is assigned a position in the six-entry completion queue. A branch instruction can be issued on the same clock cycle for a maximum three-instruction dispatch.
- During the execute pipeline stage, each execution unit that has an executable instruction executes the selected instruction (perhaps over multiple cycles), writes the instruction's result into the appropriate rename register, and notifies the completion stage that the instruction has finished execution. In the case of an internal exception, the execution unit reports the exception to the completion pipeline stage and (except for the FPU) discontinues instruction execution until the exception is handled. The exception is not signaled until that instruction is the next to be completed. Execution of most floating-point instructions is pipelined within the FPU allowing up to three instructions to be executing in the FPU concurrently. The FPU stages are multiply, add, and round-convert. Execution of most load/store instructions is also pipelined. The load/store unit has two pipeline stages. The first stage is for effective address calculation and MMU translation and the second stage is for accessing the data in the cache.
- The complete pipeline stage maintains the correct architectural machine state and transfers execution results from the rename registers to the GPRs and FPRs (and CTR and LR, for some instructions) as instructions are retired. As with dispatching instructions from the instruction queue, instructions are retired from the two bottom positions in the completion queue. If completion logic detects an instruction causing an exception, all following instructions are cancelled, their execution results in rename registers are discarded, and instructions are fetched from the appropriate exception vector.

Because the PowerPC architecture can be applied to such a wide variety of implementations, instruction timing varies among PowerPC processors.

For a detailed discussion of instruction timing with examples and a table of latencies for each execution unit, see Chapter 6, “Instruction Timing.”

## 1.10 Power Management

The MPC750 provides four power modes, selectable by setting the appropriate control bits in the MSR and HID0 registers. The four power modes are as follows:

- **Full-power**—This is the default power state of the MPC750. The MPC750 is fully powered and the internal functional units are operating at the full processor clock speed. If the dynamic power management mode is enabled, functional units that are idle will automatically enter a low-power state without affecting performance, software execution, or external hardware.
- **Doze**—All the functional units of the MPC750 are disabled except for the time base/decrementer registers and the bus snooping logic. When the processor is in doze mode, an external asynchronous interrupt, a system management interrupt, a decrementer exception, a hard or soft reset, or machine check brings the MPC750 into the full-power state. The MPC750 in doze mode maintains the PLL in a fully powered state and locked to the system external clock input (SYSCLK) so a transition to the full-power state takes only a few processor clock cycles.
- **Nap**—The nap mode further reduces power consumption by disabling bus snooping, leaving only the time base register and the PLL in a powered state. The MPC750 returns to the full-power state upon receipt of an external asynchronous interrupt, a system management interrupt, a decrementer exception, a hard or soft reset, or a machine check input ( $\overline{MCP}$ ). A return to full-power state from a nap state takes only a few processor clock cycles. When the processor is in nap mode, if  $\overline{QACK}$  is negated, the processor is put in doze mode to support snooping.
- **Sleep**—Sleep mode minimizes power consumption by disabling all internal functional units, after which external system logic may disable the PLL and SYSCLK. Returning the MPC750 to the full-power state requires the enabling of the PLL and SYSCLK, followed by the assertion of an external asynchronous interrupt, a system management interrupt, a hard or soft reset, or a machine check input ( $\overline{MCP}$ ) signal after the time required to relock the PLL.

Chapter 10, “Power and Thermal Management,” provides information about power saving and thermal management modes for the MPC750.

## 1.11 Thermal Management

The MPC750's thermal assist unit (TAU) provides a way to control heat dissipation. This ability is particularly useful in portable computers, which, due to power consumption and size limitations, cannot use desktop cooling solutions such as fans. Therefore, better heat sink designs coupled with intelligent thermal management is of critical importance for high performance portable systems.

Primarily, the thermal management system monitors and regulates the system's operating temperature. For example, if the temperature is about to exceed a set limit, the system can be made to slow down or even suspend operations temporarily in order to lower the temperature.

The thermal management facility also ensures that the processor's junction temperature does not exceed the operating specification. To avoid the inaccuracies that arise from measuring junction temperature with an external thermal sensor, the MPC750's on-chip thermal sensor and logic tightly couples the thermal management implementation.

The TAU consists of a thermal sensor, digital-to-analog convertor, comparator, control logic, and the dedicated SPRs described in Section 1.4, "PowerPC Registers and Programming Model." The TAU does the following:

- Compares the junction temperature against user-programmable thresholds
- Generates a thermal management interrupt if the temperature crosses the threshold
- Enables the user to estimate the junction temperature by way of a software successive approximation routine

The TAU is controlled through the privileged **mtspr/mfspr** instructions to the three SPRs provided for configuring and controlling the sensor control logic, which function as follows:

- THRM1 and THRM2 provide the ability to compare the junction temperature against two user-provided thresholds. Having dual thresholds gives the thermal management software finer control of the junction temperature. In single threshold mode, the thermal sensor output is compared to only one threshold in either THRM1 or THRM2.
- THRM3 is used to enable the TAU and to control the comparator output sample time. The thermal management logic manages the thermal management interrupt generation and time multiplexed comparisons in the dual threshold mode as well as other control functions.

Instruction cache throttling provides control of the MPC750's overall junction temperature by determining the interval at which instructions are fetched. This feature is accessed through the ICTC register.

Chapter 10, "Power and Thermal Management," provides information about power saving and thermal management modes for the MPC750.

## 1.12 Performance Monitor

The MPC750 incorporates a performance monitor facility that system designers can use to help bring up, debug, and optimize software performance. The performance monitor counts events during execution of code, relating to dispatch, execution, completion, and memory accesses.

The performance monitor incorporates several registers that can be read and written to by supervisor-level software. User-level versions of these registers provide read-only access for user-level applications. These registers are described in Section 1.4, “PowerPC Registers and Programming Model.” Performance monitor control registers, MMCR0 or MMCR1, can be used to specify which events are to be counted and the conditions for which a performance monitoring interrupt is taken. Additionally, the sampled instruction address register, SIA (USIA), holds the address of the first instruction to complete after the counter overflowed.

Attempting to write to a user-read-only performance monitor register causes a program exception, regardless of the MSR[PR] setting.

When a performance monitoring interrupt occurs, program execution continues from vector offset 0x00F00.

Chapter 11, “Performance Monitor,” describes the operation of the performance monitor diagnostic tool incorporated in the MPC750.

# Chapter 2

## MPC750 Processor Programming Model

This chapter describes the MPC750 programming model, emphasizing those features specific to the MPC750 processor and summarizing those that are common to PowerPC processors. It consists of three major sections, which describe the following:

- Registers implemented in the MPC750
- Operand conventions
- The MPC750 instruction set

For detailed information about architecture-defined features, see *The Programming Environments Manual*.

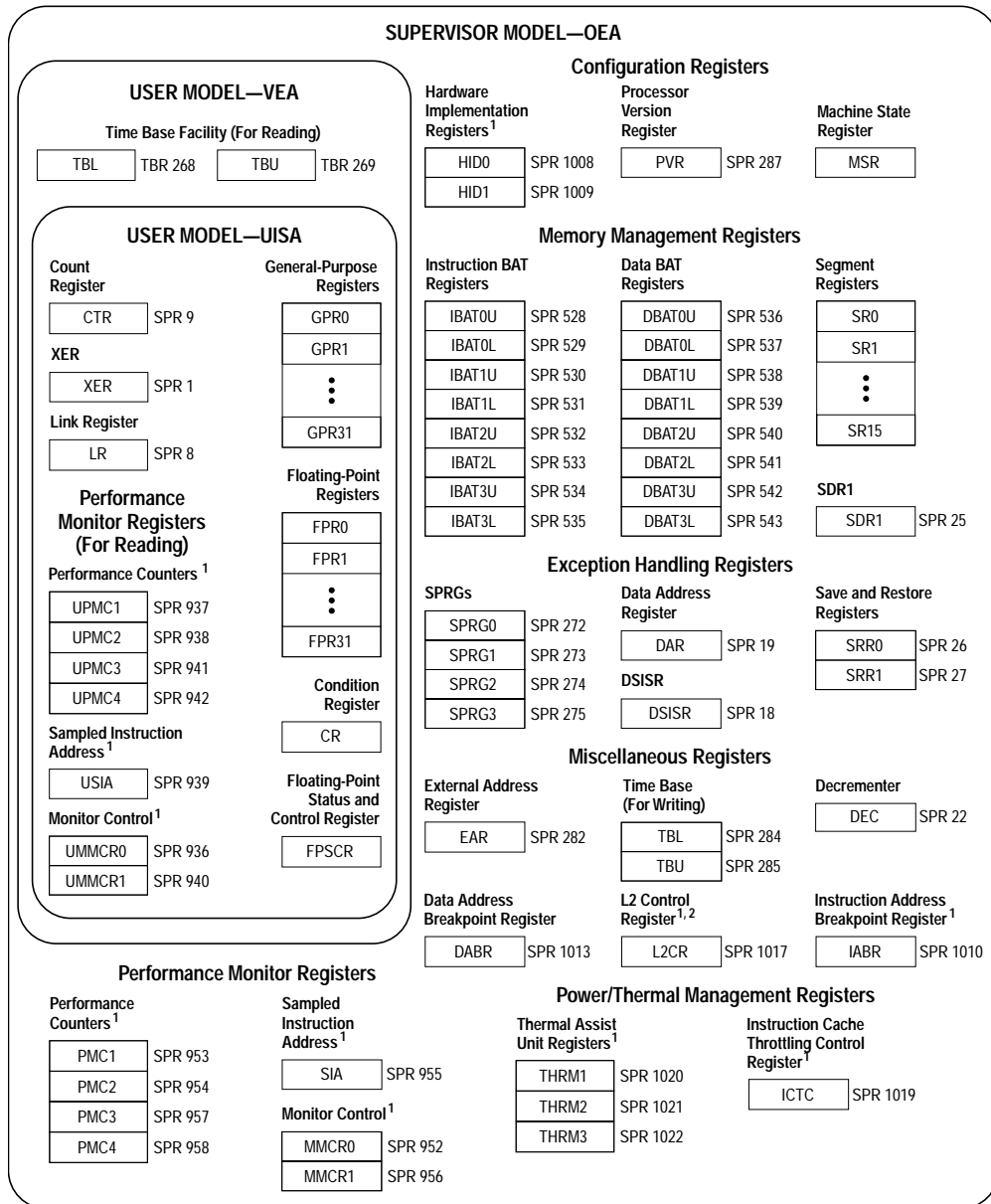
### 2.1 The MPC750 Processor Register Set

This section describes the registers implemented in the MPC750. It includes an overview of registers defined by the PowerPC architecture, highlighting differences in how these registers are implemented in the MPC750, and a detailed description of MPC750-specific registers. Full descriptions of the architecture-defined register set are provided in Chapter 2, “PowerPC Register Set,” in *The Programming Environments Manual*.

Registers are defined at all three levels of the PowerPC architecture—user instruction set architecture (UISA), virtual environment architecture (VEA), and operating environment architecture (OEA). The PowerPC architecture defines register-to-register operations for all computational instructions. Source data for these instructions are accessed from the on-chip registers or are provided as immediate values embedded in the opcode. The three-register instruction format allows specification of a target register distinct from the two source registers, thus preserving the original data for use by other instructions and reducing the number of instructions required for certain operations. Data is transferred between memory and registers with explicit load and store instructions only.

#### 2.1.1 Register Set

The registers implemented on the MPC750 are shown in Figure 2-1. The number to the right of the special-purpose registers (SPRs) indicates the number that is used in the syntax of the instruction operands to access the register (for example, the number used to access the integer exception register (XER) is SPR 1). These registers can be accessed using the **mtspr** and **mfspr** instructions.





The PowerPC UISA registers are user-level. General-purpose registers (GPRs) and floating-point registers (FPRs) are accessed through instruction operands. Access to registers can be explicit (by using instructions for that purpose such as Move to Special-Purpose Register (**mtspr**) and Move from Special-Purpose Register (**mfspir**) instructions) or implicit as part of the execution of an instruction. Some registers are accessed both explicitly and implicitly.

**Implementation Note**—The MPC750 fully decodes the SPR field of the instruction. If the SPR specified is undefined, the illegal instruction program exception occurs. The PowerPC’s user-level registers are described as follows:

- **User-level registers (UISA)**—The user-level registers can be accessed by all software with either user or supervisor privileges. They include the following:
  - General-purpose registers (GPRs). The thirty-two GPRs (GPR0–GPR31) serve as data source or destination registers for integer instructions and provide data for generating addresses. See “General Purpose Registers (GPRs),” in Chapter 2, “PowerPC Register Set,” of *The Programming Environments Manual* for more information.
  - Floating-point registers (FPRs). The thirty-two FPRs (FPR0–FPR31) serve as the data source or destination for all floating-point instructions. See “Floating-Point Registers (FPRs),” in Chapter 2, “PowerPC Register Set,” of *The Programming Environments Manual*.
  - Condition register (CR). The 32-bit CR consists of eight 4-bit fields, CR0–CR7, that reflect results of certain arithmetic operations and provide a mechanism for testing and branching. See “Condition Register (CR),” in Chapter 2, “PowerPC Register Set,” of *The Programming Environments Manual*.
  - Floating-point status and control register (FPSCR). The FPSCR contains all floating-point exception signal bits, exception summary bits, exception enable bits, and rounding control bits needed for compliance with the IEEE 754 standard. See “Floating-Point Status and Control Register (FPSCR),” in Chapter 2, “PowerPC Register Set,” of *The Programming Environments Manual*.

The remaining user-level registers are SPRs. Note that the PowerPC architecture provides a separate mechanism for accessing SPRs (the **mtspir** and **mfspir** instructions). These instructions are commonly used to explicitly access certain registers, while other SPRs may be more typically accessed as the side effect of executing other instructions.

- Integer exception register (XER). The XER indicates overflow and carries for integer operations. See “XER Register (XER),” in Chapter 2, “PowerPC Register Set,” of *The Programming Environments Manual* for more information.

**Implementation Note**—To allow emulation of the **lscbx** instruction defined by the POWER architecture, XER[16–23] is implemented so that they can be read with **mfspir**[XER] and written with **mtxer**[XER] instructions.

- Link register (LR). The LR provides the branch target address for the Branch Conditional to Link Register (**bclr***x*) instruction, and can be used to hold the logical address of the instruction that follows a branch and link instruction, typically used for linking to subroutines. See “Link Register (LR),” in Chapter 2, “PowerPC Register Set,” of *The Programming Environments Manual*.
  - Count register (CTR). The CTR holds a loop count that can be decremented during execution of appropriately coded branch instructions. The CTR can also provide the branch target address for the Branch Conditional to Count Register (**bcctr***x*) instruction. See “Count Register (CTR),” in Chapter 2, “PowerPC Register Set,” of *The Programming Environments Manual*.
  - **User-level registers (VEA)**—The PowerPC VEA defines the time base facility (TB), which consists of two 32-bit registers—time base upper (TBU) and time base lower (TBL). The time base registers can be written to only by supervisor-level instructions but can be read by both user- and supervisor-level software. For more information, see “PowerPC VEA Register Set—Time Base,” in Chapter 2, “PowerPC Register Set,” of *The Programming Environments Manual*.
  - **Supervisor-level registers (OEA)**—The OEA defines the registers an operating system uses for memory management, configuration, exception handling, and other operating system functions. The OEA defines the following supervisor-level registers for 32-bit implementations:
    - Configuration registers
      - Machine state register (MSR). The MSR defines the state of the processor. The MSR can be modified by the Move to Machine State Register (**mtmsr**), System Call (**sc**), and Return from Exception (**rfi**) instructions. It can be read by the Move from Machine State Register (**mfmsr**) instruction. When an exception is taken, the contents of the MSR are saved to the machine status save/restore register 1 (SRR1), which is described below. See “Machine State Register (MSR),” in Chapter 2, “PowerPC Register Set,” of *The Programming Environments Manual* for more information.
- Implementation Note**—Table 2-1 describes MSR bits the MPC750 implements that are not required by the PowerPC architecture.

**Table 2-1. Additional MSR Bits**

Bit	Name	Description
13	POW	Power management enable. Optional to the PowerPC architecture. 0 Power management is disabled. 1 Power management is enabled. The processor can enter a power-saving mode when additional conditions are present. The mode chosen is determined by the DOZE, NAP, and SLEEP bits in the hardware implementation-dependent register 0 (HID0), described in Table 2-4.
29	PM	Performance monitor marked mode. This bit is specific to the MPC750, and is defined as reserved by the PowerPC architecture. See Chapter 11, “Performance Monitor.” 0 Process is not a marked process. 1 Process is a marked process.

Note that setting MSR[EE] masks not only the architecture-defined external interrupt and decremter exceptions but also the MPC750-specific system management, performance monitor, and thermal management exceptions.

- Processor version register (PVR). This register is a read-only register that identifies the version (model) and revision level of the PowerPC processor. For more information, see “Processor Version Register (PVR),” in Chapter 2, “PowerPC Register Set,” of *The Programming Environments Manual*.

**Implementation Note**—The processor version number is 0x0008 for the MPC750. The processor revision level starts at 0x0100 and is updated for each silicon revision.

— Memory management registers

- Block-address translation (BAT) registers. The PowerPC OEA includes an array of block address translation registers that can be used to specify four blocks of instruction space and four blocks of data space. The BAT registers are implemented in pairs—four pairs of instruction BATs (IBAT0U–IBAT3U and IBAT0L–IBAT3L) and four pairs of data BATs (DBAT0U–DBAT3U and DBAT0L–DBAT3L). Figure 2-1 lists the SPR numbers for the BAT registers. For more information, see “BAT Registers,” in Chapter 2, “PowerPC Register Set,” of *The Programming Environments Manual*. Because BAT upper and lower words are loaded separately, software must ensure that BAT translations are correct during the time that both BAT entries are being loaded.

The MPC750 implements the G bit in the IBAT registers; however, attempting to execute code from an IBAT area with G = 1 causes an ISI exception. This complies with the revision of the architecture described in *The Programming Environments Manual*.

- SDR1. The SDR1 register specifies the page table base address used in virtual-to-physical address translation. See “SDR1,” in Chapter 2, “PowerPC Register Set,” of *The Programming Environments Manual*.
- Segment registers (SR). The PowerPC OEA defines sixteen 32-bit segment registers (SR0–SR15). Note that the SRs are implemented on 32-bit implementations only. The fields in the segment register are interpreted differently depending on the value of bit 0. See “Segment Registers,” in Chapter 2, “PowerPC Register Set,” of *The Programming Environments Manual* for more information.

Note that the MPC750 implements separate memory management units (MMUs) for instruction and data. It associates the architecture-defined SRs with the data MMU (DMMU). It reflects the values of the SRs in separate, so-called ‘shadow’ segment registers in the instruction MMU (IMMU).

— Exception-handling registers

- Data address register (DAR). After a DSI or an alignment exception, DAR is set to the effective address (EA) generated by the faulting instruction. See “Data Address Register (DAR),” in Chapter 2, “PowerPC Register Set,” of *The Programming Environments Manual* for more information.
- SPRG0–SPRG3. The SPRG0–SPRG3 registers are provided for operating system use. See “SPRG0–SPRG3,” in Chapter 2, “PowerPC Register Set,” of *The Programming Environments Manual* for more information.
- DSISR. The DSISR register defines the cause of DSI and alignment exceptions. See “DSISR,” in Chapter 2, “PowerPC Register Set,” of *The Programming Environments Manual* for more information.
- Machine status save/restore register 0 (SRR0). The SRR0 register is used to save the address of the instruction at which execution continues when **rfi** executes at the end of an exception handler routine. See “Machine Status Save/Restore Register 0 (SRR0),” in Chapter 2, “PowerPC Register Set,” of *The Programming Environments Manual* for more information.
- Machine status save/restore register 1 (SRR1). The SRR1 register is used to save machine status on exceptions and to restore machine status when **rfi** executes. See “Machine Status Save/Restore Register 1 (SRR1),” in Chapter 2, “PowerPC Register Set,” of *The Programming Environments Manual* for more information.

**Implementation Note**—When a machine check exception occurs, the MPC750 sets one or more error bits in SRR1. Table 2-2 describes SRR1 bits the MPC750 implements that are not required by the PowerPC architecture.

**Table 2-2. Additional SRR1 Bits**

Bit	Name	Description
11	L2DP	Set by a data parity error on the L2 bus. The MPC740 does not implement the L2 cache interface.
12	MCPIN	Set by the assertion of $\overline{MCP}$
13	TEA	Set by a $\overline{TEA}$ assertion on the 60x bus
14	DP	Set by a data parity error on the 60x bus
15	AP	Set by an address parity error on the 60x bus

— Miscellaneous registers

- Time base (TB). The TB is a 64-bit structure provided for maintaining the time of day and operating interval timers. The TB consists of two 32-bit registers—time base upper (TBU) and time base lower (TBL). The time base registers can be written to only by supervisor-level software, but can be read by both user- and supervisor-level software. See “Time Base Facility (TB)—OEA,” in Chapter 2, “PowerPC Register Set,” of *The Programming Environments Manual* for more information.

- Decrementer register (DEC). This register is a 32-bit decrementing counter that provides a mechanism for causing a decrementer exception after a programmable delay; the frequency is a subdivision of the processor clock. See “Decrementer Register (DEC),” in Chapter 2, “PowerPC Register Set,” of *The Programming Environments Manual* for more information.
 

**Implementation Note**—In the MPC750, the decrementer register is decremented at a speed that is one-fourth the speed of the bus clock.
- Data address breakpoint register (DABR)—This optional register is used to cause a breakpoint exception if a specified data address is encountered. See “Data Address Breakpoint Register (DABR),” in Chapter 2, “PowerPC Register Set,” of *The Programming Environments Manual*.
- External access register (EAR). This optional register is used in conjunction with **eciwx** and **ecowx**. Note that the EAR register and the **eciwx** and **ecowx** instructions are optional in the PowerPC architecture and may not be supported in all PowerPC processors that implement the OEA. See “External Access Register (EAR),” in Chapter 2, “PowerPC Register Set,” of *The Programming Environments Manual* for more information.
- **MPC750-specific registers**—The PowerPC architecture allows implementation-specific SPRs. Those incorporated in the MPC750 are described as follows. Note that in the MPC750, these registers are all supervisor-level registers.
  - Instruction address breakpoint register (IABR)—This register can be used to cause a breakpoint exception if a specified instruction address is encountered.
  - Hardware implementation-dependent register 0 (HID0)—This register controls various functions, such as enabling checkstop conditions, and locking, enabling, and invalidating the instruction and data caches.
  - Hardware implementation-dependent register 1 (HID1)—This register reflects the state of PLL\_CFG[0–3] clock signals.
  - The L2 cache control register (L2CR) is used to configure and operate the L2 cache. It includes bits for enabling parity checking, setting the L2-to-processor clock ratio, and identifying the type of RAM used for the L2 cache implementation. (Not supported in the MPC740.)
  - Performance monitor registers. The following registers are used to define and count events for use by the performance monitor:
    - The performance monitor counter registers (PMC1–PMC4) are used to record the number of times a certain event has occurred. UPMC1–UPMC4 provide user-level read access to these registers.
    - The monitor mode control registers (MMCR0–MMCR1) are used to enable various performance monitor interrupt functions. UMMCR0–UMMCR1 provide user-level read access to these registers.

- The sampled instruction address register (SIA) contains the effective address of an instruction executing at or around the time that the processor signals the performance monitor interrupt condition. USIA provides user-level read access to the SIA.
- The MPC750 does not implement the sampled data address register (SDA) or the user-level, read-only USDA registers. However, for compatibility with processors that do, those registers can be written to by boot code without causing an exception. SDA is SPR 959; USDA is SPR 943.
- The instruction cache throttling control register (ICTC) has bits for enabling the instruction cache throttling feature and for controlling the interval at which instructions are forwarded to the instruction buffer in the fetch unit. This provides control over the processor’s overall junction temperature.
- Thermal management registers (THRM1, THRM2, and THRM3). Used to enable and set thresholds for the thermal management facility.
  - THRM1 and THRM2 provide the ability to compare the junction temperature against two user-provided thresholds. The dual thresholds allow the thermal management software differing degrees of action in lowering the junction temperature. The TAU can be also operated in a single threshold mode in which the thermal sensor output is compared to only one threshold in either THRM1 or THRM2.
  - THRM3 is used to enable the thermal management assist unit (TAU) and to control the comparator output sample time.

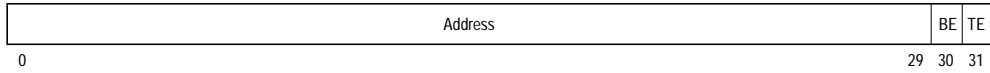
Note that while it is not guaranteed that the implementation of MPC750-specific registers is consistent among PowerPC processors, other processors may implement similar or identical registers.

## 2.1.2 MPC750-Specific Registers

This section describes registers that are defined for the MPC750 but are not included in the PowerPC architecture.

### 2.1.2.1 Instruction Address Breakpoint Register (IABR)

The address breakpoint register (IABR), shown in Figure 2-2, supports the instruction address breakpoint exception. When this exception is enabled, instruction fetch addresses are compared with an effective address stored in the IABR. If the word specified in the IABR is fetched, the instruction breakpoint handler is invoked. The instruction that triggers the breakpoint does not execute before the handler is invoked. For more information, see Section 4.5.14, “Instruction Address Breakpoint Exception (0x01300).” The IABR can be accessed with **mtspr** and **mfspr** using the SPR1010.



**Figure 2-2. Instruction Address Breakpoint Register**

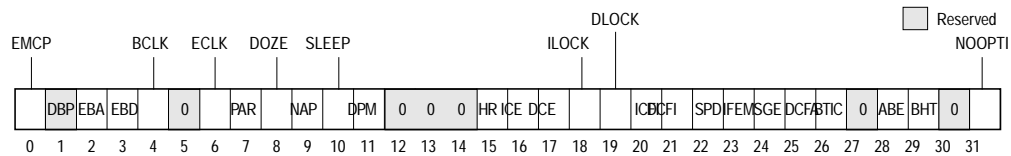
The IABR bits are described in Table 2-3.

**Table 2-3. Instruction Address Breakpoint Register Bit Settings**

Bits	Name	Description
0–29	Address	Word address to be compared
30	BE	Breakpoint enabled. Setting this bit indicates that breakpoint checking is to be done.
31	TE	Translation enabled. An IABR match is signaled if this bit matches MSR[IR].

### 2.1.2.2 Hardware Implementation-Dependent Register 0

The hardware implementation-dependent register 0 (HID0) controls the state of several functions within the MPC750. The HID0 register is shown in Figure 2-3.



**Figure 2-3. Hardware Implementation-Dependent Register 0 (HID0)**

The HID0 bits are described in Table 2-4.

**Table 2-4. HID0 Bit Functions**

Bit	Name	Function
0	EMCP	Enable $\overline{MCP}$ . The primary purpose of this bit is to mask out further machine check exceptions caused by assertion of $\overline{MCP}$ , similar to how MSR[EE] can mask external interrupts. 0 Masks $\overline{MCP}$ . Asserting $\overline{MCP}$ does not generate a machine check exception or a checkstop. 1 Asserting $\overline{MCP}$ causes checkstop if MSR[ME] = 0 or a machine check exception if ME = 1.
1	DBP	Enable/disable 60x bus address and data parity generation. 0 If the system does not use address or data parity and the respective parity checking is disabled (HID0[EBA] or HID0[EBD] = 0), input receivers for those signals are disabled, require no pull-up resistors, and thus should be left unconnected. If all parity generation is disabled, all parity checking should also be disabled and parity signals need not be connected. 1 Parity generation is enabled.
2	EBA	Enable/disable 60x bus address parity checking 0 Prevents address parity checking. 1 Allows a address parity error to cause a checkstop if MSR[ME] = 0 or a machine check exception if MSR[ME] = 1. EBA and EBD allow the processor to operate with memory subsystems that do not generate parity.

**Table 2-4. HID0 Bit Functions (Continued)**

Bit	Name	Function
3	EBD	Enable 60x bus data parity checking 0 Parity checking is disabled. 1 Allows a data parity error to cause a checkstop if MSR[ME] = 0 or a machine check exception if MSR[ME] = 1. EBA and EBD allow the processor to operate with memory subsystems that do not generate parity.
4	BCLK	CLK_OUT output enable and clock type selection. Used in conjunction with HID0[ECLK] and the HRESET signal to configure CLK_OUT. See Table 2-5.
5	—	Not used. Defined as EICE on some earlier processors.
6	ECLK	CLK_OUT output enable and clock type selection. Used in conjunction with HID0[BCLK] and the HRESET signal to configure CLK_OUT. See Table 2-5.
7	PAR	Disable precharge of ARTRY. 0 Precharge of ARTRY enabled 1 Alters bus protocol slightly by preventing the processor from driving ARTRY to high (negated) state. If this is done, the system must restore the signals to the high state.
8	DOZE	Doze mode enable. Operates in conjunction with MSR[POW]. 0 Doze mode disabled. 1 Doze mode enabled. Doze mode is invoked by setting MSR[POW] while this bit is set. In doze mode, the PLL, time base, and snooping remain active.
9	NAP	Nap mode enable. Operates in conjunction with MSR[POW]. 0 Nap mode disabled. 1 Nap mode enabled. Doze mode is invoked by setting MSR[POW] while this bit is set. In nap mode, the PLL and the time base remain active.
10	SLEEP	Sleep mode enable. Operates in conjunction with MSR[POW]. 0 Sleep mode disabled. 1 Sleep mode enabled. Sleep mode is invoked by setting MSR[POW] while this bit is set. QREQ is asserted to indicate that the processor is ready to enter sleep mode. If the system logic determines that the processor may enter sleep mode, the quiesce acknowledge signal, QACK, is asserted back to the processor. Once QACK assertion is detected, the processor enters sleep mode after several processor clocks. At this point, the system logic may turn off the PLL by first configuring PLL_CFG[0–3] to PLL bypass mode, then disabling SYSCLK.
11	DPM	Dynamic power management enable. 0 Dynamic power management is disabled. 1 Functional units enter a low-power mode automatically if the unit is idle. This does not affect operational performance and is transparent to software or any external hardware.
12–14	—	Not used
15	NHR	Not hard reset (software-use only)—Helps software distinguish a hard reset from a soft reset. 0 A hard reset occurred if software had previously set this bit. 1 A hard reset has not occurred. If software sets this bit after a hard reset, when a reset occurs and this bit remains set, software can tell it was a soft reset.
16	ICE	Instruction cache enable 0 The instruction cache is neither accessed nor updated. All pages are accessed as if they were marked cache-inhibited (WIM = X1X). Potential cache accesses from the bus (snoop and cache operations) are ignored. In the disabled state for the L1 caches, the cache tag state bits are ignored and all accesses are propagated to the L2 cache or bus as single-beat transactions. For those transactions, however, CI reflects the original state determined by address translation regardless of cache disabled status. ICE is zero at power-up. 1 The instruction cache is enabled



**Table 2-4. HID0 Bit Functions (Continued)**

Bit	Name	Function
17	DCE	<p>Data cache enable</p> <p>0 The data cache is neither accessed nor updated. All pages are accessed as if they were marked cache-inhibited (WIM = X1X). Potential cache accesses from the bus (snoop and cache operations) are ignored. In the disabled state for the L1 caches, the cache tag state bits are ignored and all accesses are propagated to the L2 cache or bus as single-beat transactions. For those transactions, however, <math>\overline{CI}</math> reflects the original state determined by address translation regardless of cache disabled status. DCE is zero at power-up.</p> <p>1 The data cache is enabled.</p>
18	ILOCK	<p>Instruction cache lock</p> <p>0 Normal operation</p> <p>1 Instruction cache is locked. A locked cache supplies data normally on a hit, but are treated as a cache-inhibited transaction on a miss. On a miss, the transaction to the bus or the L2 cache is single-beat, however, <math>\overline{CI}</math> still reflects the original state as determined by address translation independent of cache locked or disabled status.</p> <p>To prevent locking during a cache access, an <b>isync</b> instruction must precede the setting of ILOCK.</p>
19	DLOCK	<p>Data cache lock.</p> <p>0 Normal operation</p> <p>1 Data cache is locked. A locked cache supplies data normally on a hit but is treated as a cache-inhibited transaction on a miss. On a miss, the transaction to the bus or the L2 cache is single-beat, however, <math>\overline{CI}</math> still reflects the original state as determined by address translation independent of cache locked or disabled status. A snoop hit to a locked L1 data cache performs as if the cache were not locked. A cache block invalidated by a snoop remains invalid until the cache is unlocked.</p> <p>To prevent locking during a cache access, a <b>sync</b> instruction must precede the setting of DLOCK.</p>
20	ICFI	<p>Instruction cache flash invalidate</p> <p>0 The instruction cache is not invalidated. The bit is cleared when the invalidation operation begins (usually the next cycle after the write operation to the register). The instruction cache must be enabled for the invalidation to occur.</p> <p>1 An invalidate operation is issued that marks the state of each instruction cache block as invalid without writing back modified cache blocks to memory. Cache access is blocked during this time. Bus accesses to the cache are signaled as a miss during invalidate-all operations. Setting ICFI clears all the valid bits of the blocks and the PLRU bits to point to way L0 of each set. Once the L1 flash invalidate bits are set through a <b>mtspr</b> operations, hardware automatically resets these bits in the next cycle (provided that the corresponding cache enable bits are set in HID0). Note, in the PowerPC 603 and PowerPC 603e processors, the proper use of the ICFI and DCFI bits was to set them and clear them in two consecutive <b>mtspr</b> operations. Software that already has this sequence of operations does not need to be changed to run on the MPC750.</p>
21	DCFI	<p>Data cache flash invalidate</p> <p>0 The data cache is not invalidated. The bit is cleared when the invalidation operation begins (usually the next cycle after the write operation to the register). The data cache must be enabled for the invalidation to occur.</p> <p>1 An invalidate operation is issued that marks the state of each data cache block as invalid without writing back modified cache blocks to memory. Cache access is blocked during this time. Bus accesses to the cache are signaled as a miss during invalidate-all operations. Setting DCFI clears all the valid bits of the blocks and the PLRU bits to point to way L0 of each set. Once the L1 flash invalidate bits are set through a <b>mtspr</b> operations, hardware automatically resets these bits in the next cycle (provided that the corresponding cache enable bits are set in HID0). Setting this bit clears all the valid bits of the blocks and the PLRU bits to point to way L0 of each set. Note, in the PowerPC 603 and PowerPC 603e processors, the proper use of the ICFI and DCFI bits was to set them and clear them in two consecutive <b>mtspr</b> operations. Software that already has this sequence of operations does not need to be changed to run on the MPC750.</p>

**Table 2-4. HID0 Bit Functions (Continued)**

Bit	Name	Function
22	SPD	Speculative cache access disable 0 Speculative bus accesses to nonguarded space (G = 0) from both the instruction and data caches is enabled 1 Speculative bus accesses to nonguarded space in both caches is disabled
23	IFEM	Enable M bit on bus for instruction fetches. 0 M bit disabled. Instruction fetches are treated as nonglobal on the bus 1 Instruction fetches reflect the M bit from the WIM settings.
24	SGE	Store gathering enable 0 Store gathering is disabled 1 Integer store gathering is performed for write-through to nonguarded space or for cache-inhibited stores to nonguarded space for 4-byte, word-aligned stores. The LSU combines stores to form a double word that is sent out on the 60x bus as a single-beat operation. Stores are gathered only if successive, eligible stores, are queued and pending. Store gathering is performed regardless of address order or endian mode.
25	DCFA	Data cache flush assist. (Force data cache to ignore invalid sets on miss replacement selection.) 0 The data cache flush assist facility is disabled 1 The miss replacement algorithm ignores invalid entries and follows the replacement sequence defined by the PLRU bits. This reduces the series of uniquely addressed load or <b>dcbz</b> instructions to eight per set. The bit should be set just before beginning a cache flush routine and should be cleared when the series of instructions is complete.
26	BTIC	BTIC disable—used to disable use of the 64-entry branch instruction cache. 0 The BTIC is enabled and new entries can be added. 1 The BTIC contents are invalidated and the BTIC behaves as if it were empty. New entries cannot be added until the BTIC is enabled.
27	—	Not used. Defined as FBI0B on earlier 603-type processors.
28	ABE	Address broadcast enable—controls whether certain address-only operations (such as cache operations, <b>eieio</b> , and <b>sync</b> ) are broadcast on the 60x bus. 0 Address-only operations affect only local L1 and L2 caches and are not broadcast. 1 Address-only operations are broadcast on the 60x bus. Affected instructions are <b>eieio</b> , <b>sync</b> , <b>dcbi</b> , <b>dcbf</b> , and <b>dcbst</b> . A <b>sync</b> instruction completes only after a successful broadcast. Execution of <b>eieio</b> causes a broadcast that may be used to prevent any external devices, such as a bus bridge chip, from store gathering. Note that <b>dcbz</b> (with M = 1, coherency required) always broadcasts on the 60x bus regardless of the setting of this bit. An <b>icbi</b> is never broadcast. No cache operations, except <b>dcbz</b> , are snooped by the MPC750 regardless of whether the ABE is set. Bus activity caused by these instructions results directly from performing the operation on the MPC750 cache.
29	BHT	Branch history table enable 0 BHT disabled. The MPC750 uses static branch prediction as defined by the PowerPC architecture (UISA) for those branch instructions the BHT would have otherwise used to predict (that is, those that use the CR as the only mechanism to determine direction). For more information on static branch prediction, see “Conditional Branch Control,” in Chapter 4 of <i>The Programming Environments Manual</i> . 1 Allows the use of the 512-entry branch history table (BHT). The BHT is disabled at power-on reset. All entries are set to weakly, not-taken.
30	—	Not used
31	NOOPTI	No-op the data cache touch instructions. 0 The <b>dcbt</b> and <b>dcbtst</b> instructions are enabled. 1 The <b>dcbt</b> and <b>dcbtst</b> instructions are no-oped globally.

Table 2-5 shows how `HID0[BCLK]`, `HID0[ECLK]`, and  $\overline{\text{HRESET}}$  are used to configure `CLK_OUT`. See Section 7.2.11.2, “Clock Out (`CLK_OUT`)—Output,” for more information.

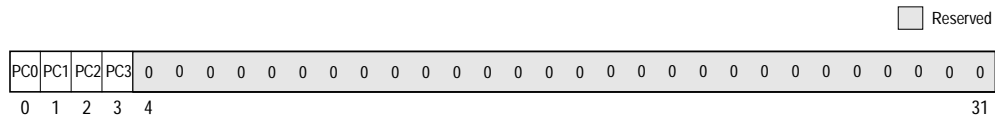
**Table 2-5. `HID0[BCLK]` and `HID0[ECLK]` `CLK_OUT` Configuration**

<code>HRESET</code>	<code>HID0[ECLK]</code>	<code>HID0[BCLK]</code>	<code>CLK_OUT</code>
Asserted	x	x	Bus
Negated	0	0	High impedance
Negated	0	1	Bus/ 2
Negated	1	0	Core
Negated	1	1	Bus

`HID0` can be accessed with `mtspr` and `mfspir` using SPR1008.

### 2.1.2.3 Hardware Implementation-Dependent Register 1

The hardware implementation-dependent register 1 (`HID1`) reflects the state of the `PLL_CFG[0–3]` signals. The `HID1` bits are shown in Figure 2-4.



**Figure 2-4. Hardware Implementation-Dependent Register 1 (`HID1`)**

The `HID1` bits are described in Table 2-6.

**Table 2-6. `HID1` Bit Functions**

Bit(s)	Name	Description
0	PC0	PLL configuration bit 0 (read-only)
1	PC1	PLL configuration bit 1 (read-only)
2	PC2	PLL configuration bit 2 (read-only)
3	PC3	PLL configuration bit 3 (read-only)
4–31	—	Reserved

**Note:** The clock configuration bits reflect the state of the `PLL_CFG[0–3]` signals.

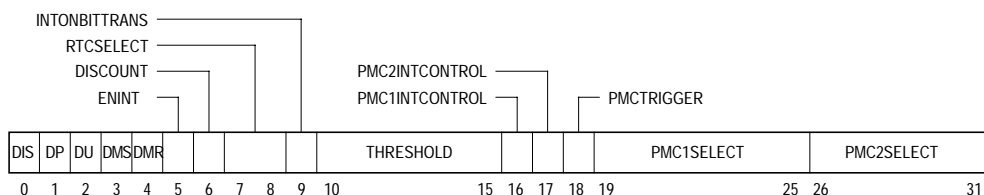
`HID1` can be accessed with `mtspr` and `mfspir` using SPR 1009.

## 2.1.2.4 Performance Monitor Registers

This section describes the registers used by the performance monitor, which is described in Chapter 11, “Performance Monitor.”

### 2.1.2.4.1 Monitor Mode Control Register 0 (MMCR0)

The monitor mode control register 0 (MMCR0), shown in Figure 2-5, is a 32-bit SPR provided to specify events to be counted and recorded. The MMCR0 can be accessed only in supervisor mode. User-level software can read the contents of MMCR0 by issuing an **mfspr** instruction to UMMCR0, described in Section 2.1.2.4.2, “User Monitor Mode Control Register 0 (UMMCR0).”



**Figure 2-5. Monitor Mode Control Register 0 (MMCR0)**

This register must be cleared at power up. Reading this register does not change its contents. The bits of the MMCR0 register are described in Table 2-7.

**Table 2-7. MMCR0 Bit Settings**

Bit	Name	Description
0	DIS	Disables counting unconditionally 0 The values of the PMC $n$ counters can be changed by hardware. 1 The values of the PMC $n$ counters cannot be changed by hardware.
1	DP	Disables counting while in supervisor mode 0 The PMC $n$ counters can be changed by hardware. 1 If the processor is in supervisor mode (MSR[PR] is cleared), the counters are not changed by hardware.
2	DU	Disables counting while in user mode 0 The PMC $n$ counters can be changed by hardware. 1 If the processor is in user mode (MSR[PR] is set), the PMC $n$ counters are not changed by hardware.
3	DMS	Disables counting while MSR[PM] is set 0 The PMC $n$ counters can be changed by hardware. 1 If MSR[PM] is set, the PMC $n$ counters are not changed by hardware.
4	DMR	Disables counting while MSR(PM) is zero. 0 The PMC $n$ counters can be changed by hardware. 1 If MSR[PM] is cleared, the PMC $n$ counters are not changed by hardware.

**Table 2-7. MMCR0 Bit Settings (Continued)**

Bit	Name	Description
5	ENINT	Enables performance monitor interrupt signaling. 0 Interrupt signaling is disabled. 1 Interrupt signaling is enabled. Cleared by hardware when a performance monitor interrupt is signaled. To reenable these interrupt signals, software must set this bit after handling the performance monitor interrupt. The IPL ROM code clears this bit before passing control to the operating system.
6	DISCOUNT	Disables counting of PMC $n$ when a performance monitor interrupt is signaled (that is, ((PMC $n$ INTCONTROL = 1) & (PMC $n$ [0] = 1) & (ENINT = 1)) or the occurrence of an enabled time base transition with ((INTONBITTRANS = 1) & (ENINT = 1)). 0 Signaling a performance monitor interrupt does not affect counting status of PMC $n$ . 1 The signaling of a performance monitor interrupt prevents changing of PMC1 counter. The PMC $n$ counter do not change if PMC2COUNTCTL = 0. Because a time base signal could have occurred along with an enabled counter overflow condition, software should always reset INTONBITTRANS to zero, if the value in INTONBITTRANS was a one.
7–8	RTCSELECT	64-bit time base, bit selection enable 00 Pick bit 63 to count 01 Pick bit 55 to count 10 Pick bit 51 to count 11 Pick bit 47 to count
9	INTONBITTRANS	Cause interrupt signaling on bit transition (identified in RTCSELECT) from off to on 0 Do not allow interrupt signal if chosen bit transitions. 1 Signal interrupt if chosen bit transitions. Software is responsible for setting and clearing INTONBITTRANS.
10–15	THRESHOLD	Threshold value. The MPC750 supports all 6 bits, allowing threshold values from 0–63. The intent of the THRESHOLD support is to characterize L1 data cache misses.
16	PMC1INTCONTROL	Enables interrupt signaling due to PMC1 counter overflow. 0 Disable PMC1 interrupt signaling due to PMC1 counter overflow 1 Enable PMC1 Interrupt signaling due to PMC1 counter overflow
17	PMCINTCONTROL	Enable interrupt signaling due to any PMC2–PMC4 counter overflow. Overrides the setting of DISCOUNT. 0 Disable PMC2–PMC4 interrupt signaling due to PMC2–PMC4 counter overflow. 1 Enable PMC2–PMC4 interrupt signaling due to PMC2–PMC4 counter overflow.
18	PMCTRIGGER	Can be used to trigger counting of PMC2–PMC4 after PMC1 has overflowed or after a performance monitor interrupt is signaled. 0 Enable PMC2–PMC4 counting. 1 Disable PMC2–PMC4 counting until either PMC1[0] = 1 or a performance monitor interrupt is signaled.
19–25	PMC1SELECT	PMC1 input selector, 128 events selectable. See Table 2-10.
26–31	PMC2SELECT	PMC2 input selector, 64 events selectable. See Table 2-11.

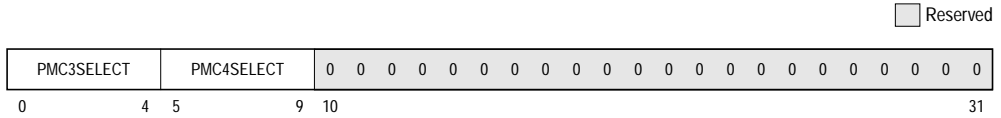
MMCR0 can be accessed with **mtspr** and **mfspir** using SPR 952.

#### 2.1.2.4.2 User Monitor Mode Control Register 0 (UMMCR0)

The contents of MMCR0 are reflected to UMMCR0, which can be read by user-level software. MMCR0 can be accessed with **mfspir** using SPR 936.

**2.1.2.4.3 Monitor Mode Control Register 1 (MMCR1)**

The monitor mode control register 1 (MMCR1) functions as an event selector for performance monitor counter registers 3 and 4 (PMC3 and PMC4). The MMCR1 register is shown in Figure 2-6.



**Figure 2-6. Monitor Mode Control Register 1 (MMCR1)**

Bit settings for MMCR1 are shown in Table 2-8. The corresponding events are described in Section 2.1.2.4.5, “Performance Monitor Counter Registers (PMC1–PMC4).”

**Table 2-8. MMCR1 Bit Settings**

Bits	Name	Description
0–4	PMC3SELECT	PMC3 input selector. 32 events selectable. See Table 2-12 for defined selections.
5–9	PMC4SELECT	PMC4 input selector. 32 events selectable. See Table 2-13 for defined selections.
10–31	—	Reserved

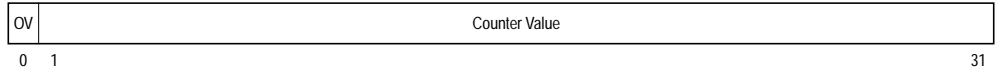
MMCR1 can be accessed with **mtspr** and **mfspir** using SPR 956. User-level software can read the contents of MMCR1 by issuing an **mfspir** instruction to UMMCR1, described in Section 2.1.2.4.4, “User Monitor Mode Control Register 1 (UMMCR1).”

**2.1.2.4.4 User Monitor Mode Control Register 1 (UMMCR1)**

The contents of MMCR1 are reflected to UMMCR1, which can be read by user-level software. MMCR1 can be accessed with **mfspir** using SPR 940.

**2.1.2.4.5 Performance Monitor Counter Registers (PMC1–PMC4)**

PMC1–PMC4, shown in Figure 2-7, are 32-bit counters that can be programmed to generate interrupt signals when they overflow.



**Figure 2-7. Performance Monitor Counter Registers (PMC1–PMC4)**

The bits contained in the PMC<sub>n</sub> registers are described in Table 2-9.

**Table 2-9. PMC<sub>n</sub> Bit Settings**

Bits	Name	Description
0	OV	Overflow. When this bit is set it indicates that this counter has reached its maximum value.
1–31	Counter value	Indicates the number of occurrences of the specified event.

Counters are considered to overflow when the high-order bit (the sign bit) becomes set; that is, they reach the value 2147483648 (0x8000\_0000). However, an interrupt is not signaled unless both PMC<sub>n</sub>[INTCONTROL] and MMCR0[ENINT] are also set.

Note that the interrupts can be masked by clearing MSR[EE]; the interrupt signal condition may occur with MSR[EE] cleared, but the exception is not taken until EE is set. Setting MMCR0[DISCOUNT] forces counters to stop counting when a counter interrupt occurs.

Software is expected to use **mtspr** to set PMC explicitly to nonoverflow values. If software sets an overflow value, an erroneous exception may occur. For example, if both PMC<sub>n</sub>[INTCONTROL] and MMCR0[ENINT] are set and **mtspr** loads an overflow value, an interrupt signal may be generated without any event counting having taken place.

The event to be monitored can be chosen by setting MMCR0[0–9]. The selected events are counted beginning when MMCR0 is set until either MMCR0 is reset or a performance monitor interrupt is generated. Table 2-10 lists the selectable events and their encodings.

**Table 2-10. PMC1 Events—MMCR0[19–25] Select Encodings**

Encoding	Description
000 0000	Register holds current value.
000 0001	Number of processor cycles
000 0010	Number of completed instructions. Does not include folded branches.
0000011	Number of transitions from 0 to 1 of specified bits in time base lower register. Bits are specified through RTCSELECT (MMRC0[7–8]). 00 = 15, 01 = 19, 10 = 23, 11 = 31
0000100	Number of instructions dispatched—0, 1, or 2 instructions per cycle
0000101	Number of <b>eieio</b> instructions completed
0000110	Number of cycles spent performing table search operations for the ITLB
0000111	Number of accesses that hit the L2
0001000	Number of valid instruction EAs delivered to the memory subsystem
0001001	Number of times the address of an instruction being completed matches the address in the IABR
0001010	Number of loads that miss the L1 with latencies that exceeded the threshold value
0001011	Number of branches that are unresolved when processed
0001100	Number of cycles the dispatcher stalls due to a second unresolved branch in the instruction stream
All others	Reserved. May be used in a later revision.

Bits MMCR0[26–31] specify events associated with PMC2, as shown in Table 2-11.

**Table 2-11. PMC2 Events—MMCR0[26–31] Select Encodings**

Encoding	Description
00 0000	Register holds current value.
00 0001	Number of processor cycles
00 0010	Number of completed instructions. Does not include folded branches.
00 0011	Number of transitions from 0 to 1 of specified bits in time base lower register. Bits are specified through RTCSELECT (MMRC0[7–8]). 00 = 15, 01 = 19, 10 = 23, 11 = 31.
00 0100	Number of instructions dispatched. 0, 1, or 2 instructions per cycle
00 0101	Number of <b>ei</b> io instructions completed
00 0110	Number of cycles spent performing table search operations for the ITLB
00 0111	Number of accesses that hit the L2
00 1000	Number of valid instruction EAs delivered to the memory subsystem
00 1001	Number of times that the address of an instruction being completed matches the address in the IABR
00 1010	Number of loads that miss the L1 and have latencies that exceeded the threshold value
00 1011	Number of branches that are unresolved when processed
00 1100	Number of cycles the dispatcher stalls due to a second unresolved branch in the instruction stream
All others	Reserved. May be used in a later revision.

Bits MMCR1[0–4] specify events associated with PMC3, as shown in Table 2-12.

**Table 2-12. PMC3 Events—MMCR1[0–4] Select Encodings**

Encoding	Description
0 0000	Register holds current value.
0 0001	Number of processor cycles
0 0010	Number of completed instructions, not including folded branches.
0 0011	Number of transitions from 0 to 1 of specified bits in the time base lower register. Bits are specified through RTCSELECT (MMRC0[7–8]). 0 = 47, 1 = 51, 2 = 55, 3 = 63.
0 0100	Number of instructions dispatched. 0, 1, or 2 per cycle.
0 0101	Number of L1 data cache misses
0 0110	Number of DTLB misses
0 0111	Number of L2 data misses
0 1000	Number of taken branches, including predicted branches.
0 1001	Number of transitions between marked and unmarked processes while in user mode. That is, the number of MSR[PM] toggles while the processor is in user mode.
0 1010	Number of store conditional instructions completed



**Table 2-12. PMC3 Events—MMCR1[0–4] Select Encodings (Continued)**

Encoding	Description
0 1011	Number of instructions completed from the FPU
0 1100	Number of L2 castouts caused by snoops to modified lines
0 1101	Number of cache operations that hit in the L2 cache
0 1110	Reserved
0 1111	Number of cycles generated by L1 load misses
1 0000	Number of branches in the second speculative stream that resolve correctly
1 0001	Number of cycles the BPU stalls due to LR or CR unresolved dependencies
All others	Reserved. May be used in a later revision.

Bits MMCR1[5–9] specify events associated with PMC4, as shown in Table 2-13.

**Table 2-13. PMC4 Events—MMCR1[5–9] Select Encodings**

Encoding	Comments
00000	Register holds current value
00001	Number of processor cycles
00010	Number of completed instructions, not including folded branches
00011	Number of transitions from 0 to 1 of specified bits in the time base lower register. Bits are specified through RTCSELECT (MMRC0[7–8]). 0 = 47, 1 = 51, 2 = 55, 3 = 63.
00100	Number of instructions dispatched. 0, 1, or 2 per cycle.
00101	Number of L2 castouts
00110	Number of cycles spent performing tables searches for DTLB accesses
00111	Reserved. May be used in a later revision.
01000	Number of mispredicted branches
01001	Number of transitions between marked and unmarked processes while in user mode. That is, the number of MSR[PM] toggles while the processor is in supervisor mode.
01010	Number of store conditional instructions completed with reservation intact
01011	Number of completed <b>sync</b> instructions
01100	Number of snoop request retries
01101	Number of completed integer operations
01110	Number of cycles the BPU cannot process new branches due to having two unresolved branches
All others	Reserved. May be used in a later revision.

The PMC registers can be accessed with **mtspr** and **mfspir** using following SPR numbers:

- PMC1 is SPR 953
- PMC2 is SPR 954
- PMC3 is SPR 957
- PMC4 is SPR 958

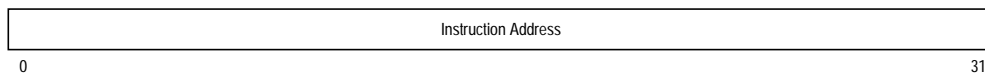
#### 2.1.2.4.6 User Performance Monitor Counter Registers (UPMC1–UPMC4)

The contents of the PMC1–PMC4 are reflected to UPMC1–UPMC4, which can be read by user-level software. The UPMC registers can be read with **mfspir** using the following SPR numbers:

- UPMC1 is SPR 937
- UPMC2 is SPR 938
- UPMC3 is SPR 941
- UPMC4 is SPR 942

#### 2.1.2.4.7 Sampled Instruction Address Register (SIA)

The sampled instruction address register (SIA) is a supervisor-level register that contains the effective address of an instruction executing at or around the time that the processor signals the performance monitor interrupt condition. The SIA is shown in Figure 2-8.



**Figure 2-8. Sampled instruction Address Registers (SIA)**

If the performance monitor interrupt is triggered by a threshold event, the SIA contains the exact instruction (called the sampled instruction) that caused the counter to overflow.

If the performance monitor interrupt was caused by something besides a threshold event, the SIA contains the address of the last instruction completed during that cycle. SIA can be accessed with the **mtspr** and **mfspir** instructions using SPR 955.

#### 2.1.2.4.8 User Sampled Instruction Address Register (USIA)

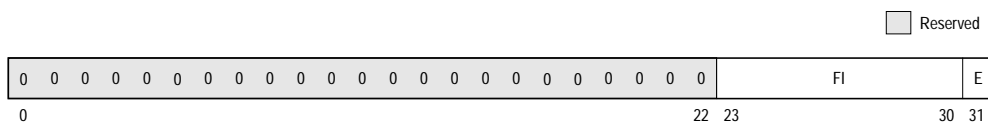
The contents of SIA are reflected to USIA, which can be read by user-level software. USIA can be accessed with the **mfspir** instructions using SPR 939.

#### 2.1.2.4.9 Sampled Data Address Register (SDA) and User Sampled Data Address Register (USDA)

The MPC750 does not implement the sampled data address register (SDA) or the user-level, read-only USDA registers. However, for compatibility with processors that do, those registers can be written to by boot code without causing an exception. SDA is SPR 959; USDA is SPR 943.

### 2.1.3 Instruction Cache Throttling Control Register (ICTC)

Reducing the rate of instruction fetching can control junction temperature without the complexity and overhead of dynamic clock control. System software can control instruction forwarding by writing a nonzero value to the ICTC register, a supervisor-level register shown in Figure 2-9. The overall junction temperature reduction comes from the dynamic power management of each functional unit when the MPC750 is idle in between instruction fetches. PLL (phase-locked loop) and DLL (delay-locked loop) configurations are unchanged.



**Figure 2-9. Instruction Cache Throttling Control Register (ICTC)**

Table 2-14 describes the bit fields for the ICTC register.

**Table 2-14. ICTC Bit Settings**

Bits	Name	Description
0–22	—	Reserved
23–30	FI	Instruction forwarding interval expressed in processor clocks. 0x00 0 clock cycle. 0x01 1 clock cycle : 0xFF 255 clock cycles
31	E	Cache throttling enable 0 Disable instruction cache throttling. 1 Enable instruction cache throttling.

Instruction cache throttling is enabled by setting ICTC[E] and writing the instruction forwarding interval into ICTC[FI]. Enabling, disabling, and changing the instruction forwarding interval affect instruction forwarding immediately.

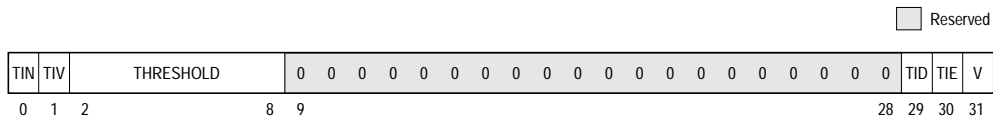
The ICTC register can be accessed with the **mtspr** and **mfspr** instructions using SPR 1019.

### 2.1.4 Thermal Management Registers (THRM1–THRM3)

The on-chip thermal management assist unit provides the following functions:

- Compares the junction temperature against user programmed thresholds
- Generates a thermal management interrupt if the temperature crosses the threshold
- Provides a way for a successive approximation routine to estimate junction temperature

Control and access to the thermal management assist unit is through the privileged **mtspr/mfspr** instructions to the three THRM registers. THRM1 and THRM2, shown in Figure 2-10, provide the ability to compare the junction temperature against two user-provided thresholds. Having dual thresholds allows thermal management software differing degrees of action in reducing junction temperature. Thermal management can use a single-threshold mode in which the thermal sensor output is compared to only one threshold in either THRM1 or THRM2.



**Figure 2-10. Thermal Management Registers 1–2 (THRM1–THRM2)**

The bits in THRM1 and THRM2 are described in Table 2-15.

**Table 2-15. THRM1–THRM2 Bit Settings**

Bits	Field	Description
0	TIN	Thermal management interrupt bit. Read-only. This bit is set if the thermal sensor output crosses the threshold specified in the SPR. The state of TIN is valid only if TIV is set. The interpretation of TIN is controlled by TID. See Table 2-16.
1	TIV	Thermal management interrupt valid. Read-only. This bit is set by the thermal assist logic to indicate that the thermal management interrupt (TIN) state is valid. See Table 2-16.
2–8	Threshold	Threshold that the thermal sensor output is compared to. The range is 0°–127° C, and each bit represents 1° C. Note that this is not the resolution of the thermal sensor.
9–28	—	Reserved. System software should clear these bits when writing to the THRM $n$ SPRs.
29	TID	Thermal management interrupt direction bit. Selects the result of the temperature comparison to set TIN and to assert a thermal management interrupt if TIE is set. If TID is cleared, TIN is set and an interrupt occurs if the junction temperature exceeds the threshold. If TID is set, TIN is set and an interrupt is indicated if the junction temperature is below the threshold. See Table 2-16.
30	TIE	Thermal management interrupt enable. The thermal management interrupt is maskable by the MSR[EE] bit. If TIE is cleared and THRM $n$ is valid, the TIN bit records the status of the junction temperature vs. threshold comparison without causing an exception. This lets system software successively approximate the junction temperature. See Table 2-16.
31	V	SPR valid bit. Setting this bit indicates the SPR contains a valid threshold, TID and TIE controls bits. THRM1/2[V] = 1 and THRM3[E] = 1 enables the thermal sensor operation. See Table 2-16.

If an **mtspr** affects a THRM register that contains operating parameters for an ongoing comparison during operation of the thermal assist unit, the respective TIV bits are cleared and the comparison is restarted. Changing THRM3 forces the TIV bits of both THRM1 and THRM2 to 0, and restarts the comparison if THRM3[E] is set.

Examples of valid THRM1/THRM2 bit settings are shown in Table 2-16.

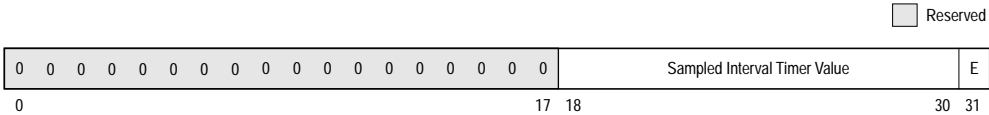
**Table 2-16. Valid THRM1/THRM2 States**

TIN <sup>1</sup>	TIV <sup>1</sup>	TID	TIE	V	Description
x	x	x	x	0	Invalid entry. The threshold in the SPR is not used for comparison.
x	x	x	0	1	Disable thermal management interrupt assertion.
x	x	0	x	1	Set TIN and assert thermal management interrupt if TIE = 1 and the junction temperature exceeds the threshold.
x	x	1	x	1	Set TIN and assert thermal management interrupt if TIE = 1 and the junction temperature is less than the threshold.
x	0	x	x	1	The state of the TIN bit is not valid.
0	1	0	x	1	The junction temperature is less than the threshold and as a result the thermal management interrupt is not generated for TIE = 1.
1	1	0	x	1	The junction temperature is greater than the threshold and as a result the thermal management interrupt is generated if TIE = 1.
0	1	1	x	1	The junction temperature is greater than the threshold and as a result the thermal management interrupt is not generated for TIE = 1.
1	1	1	x	1	The junction temperature is less than the threshold and as a result the thermal management interrupt is generated if TIE = 1.

**Note:**

<sup>1</sup> TIN and TIV are read-only status bits.

The THRM3 register, shown in Figure 2-11, is used to enable the thermal assist unit and to control the comparator output sample time. The thermal assist logic manages the thermal management interrupt generation and time-multiplexed comparisons in dual-threshold mode as well as other control functions.



**Figure 2-11. Thermal Management Register 3 (THRM3)**

The bits in THRM3 are described in Table 2-17.

**Table 2-17. THRM3 Bit Settings**

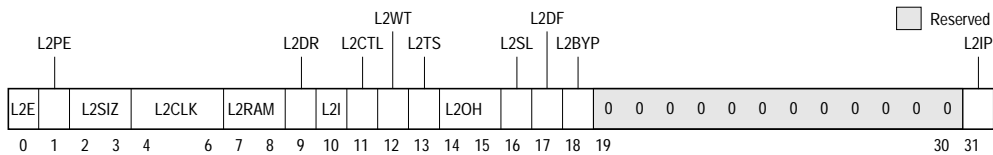
Bits	Name	Description
0–17	—	Reserved for future use. System software should clear these bits when writing to the THRM3.
18–30	SITV	Sample interval timer value. Number of elapsed processor clock cycles before a junction temperature vs. threshold comparison result is sampled for TIN bit setting and interrupt generation. This is necessary due to the thermal sensor, DAC, and the analog comparator settling time being greater than the processor cycle time. The value should be configured to allow a sampling interval of 20 microseconds.
31	E	Enables the thermal sensor compare operation if either THRM1[V] or THRM2[V] is set.

The THRM registers can be accessed with the **mtspr** and **mfspir** instructions using the following SPR numbers:

- THRM1 is SPR 1020
- THRM2 is SPR 1021
- THRM3 is SPR 1022

### 2.1.5 L2 Cache Control Register (L2CR)

The L2 cache control register, shown in Figure 2-12, is a supervisor-level, implementation-specific SPR used to configure and operate the L2 cache. It is cleared by a hard reset or power-on reset.



**Figure 2-12. L2 Cache Control Register (L2CR)**

The L2 cache interface is described in Chapter 9, “L2 Cache Interface Operation.” The L2CR bits are described in Table 2-18.

**Table 2-18. L2CR Bit Settings**

Bit	Name	Function
0	L2E	L2 enable. Enables L2 cache operation (including snooping) starting with the next transaction the L2 cache unit receives. Before enabling the L2 cache, the L2 clock must be configured through L2CR[2CLK], and the L2 DLL must stabilize (see the hardware specifications). All other L2CR bits must be set appropriately. The L2 cache may need to be invalidated globally.
1	L2PE	L2 data parity generation and checking enable. Enables parity generation and checking for the L2 data RAM interface. When disabled, generated parity is always zeros.
2–3	L2SIZ	L2 size—Should be set according to the size of the L2 data RAMs used. A 256-Kbyte L2 cache requires a data RAM configuration of 32 Kbytes x 64 bits; a 512-Kbyte L2 cache requires a configuration of 64 Kbyte x 64 bits; a 1-Mbyte L2 cache requires a configuration of 128K x 64 bits. 00 Reserved 01 256 Kbyte 10 512 Kbyte 11 1 Mbyte
4–6	L2CLK	L2 clock ratio (core-to-L2 frequency divider). Specifies the clock divider ratio based from the core clock frequency that the L2 data RAM interface is to operate at. When these bits are cleared, the L2 clock is stopped and the on-chip DLL for the L2 interface is disabled. For nonzero values, the processor generates the L2 clock and the on-chip DLL is enabled. After the L2 clock ratio is chosen, the DLL must stabilize before the L2 interface can be enabled. (See the hardware specifications). The resulting L2 clock frequency cannot be slower than the clock frequency of the 60x bus interface. 000 L2 clock and DLL disabled 001 +1 010 +1.5 011 Reserved 100 +2 101 +2.5 110 +3 111 Reserved
7–8	L2RAM	L2 RAM type—Configures the L2 RAM interface for the type of synchronous SRAMs used: <ul style="list-style-type: none"> <li>Flow-through (register-buffer) synchronous burst SRAMs that clock addresses in and flow data out</li> <li>Pipelined (register-register) synchronous burst SRAMs that clock addresses in and clock data out</li> <li>Late-write synchronous SRAMs, for which the MPC750 requires a pipelined (register-register) configuration. Late-write RAMs require write data to be valid on the cycle after <math>\overline{WE}</math> is asserted, rather than on the same cycle as the write enable as with traditional burst RAMs.</li> </ul> For burst RAM selections, the MPC750 does not burst data into the L2 cache, it generates an address for each access. Pipelined SRAMs may be used for all L2 clock modes. Note that flow-through SRAMs can be used only for L2 clock modes divide-by-2 or slower (divide-by-1 and divide-by-1.5 not allowed). 00 Flow-through (register-buffer) synchronous burst SRAM 01 Reserved 10 Pipelined (register-register) synchronous burst SRAM 11 Pipelined (register-register) synchronous late-write SRAM
9	L2DO	L2 data-only. Setting this bit enables data-only operation in the L2 cache. For this operation, only transactions from the L1 data cache can be cached in the L2 cache, which treats all transactions from the L1 instruction cache as cache-inhibited (bypass L2 cache, no L2 checking done). This bit is provided for L2 testing only.
10	L2I	L2 global invalidate. Setting L2I invalidates the L2 cache globally by clearing the L2 bits including status bits. This bit must not be set while the L2 cache is enabled.

**Table 2-18. L2CR Bit Settings (Continued)**

Bit	Name	Function
11	L2CTL	L2 RAM control (ZZ enable). Setting L2CTL enables the automatic operation of the L2ZZ (low-power mode) signal for cache RAMs that support the ZZ function. While L2CTL is asserted, L2ZZ asserts automatically when the MPC750 enters nap or sleep mode and negates automatically when the MPC750 exits nap or sleep mode. This bit should not be set when the MPC750 is in nap mode and snooping is to be performed through deassertion of QACK.
12	L2WT	L2 write-through. Setting L2WT selects write-through mode (rather than the default write-back mode) so all writes to the L2 cache also write through to the 60x bus. For these writes, the L2 cache entry is always marked as clean (valid unmodified) rather than dirty (valid modified). This bit must never be asserted after the L2 cache has been enabled as previously-modified lines can get remarked as clean during normal operation.
13	L2TS	L2 test support. Setting L2TS causes cache block pushes from the L1 data cache that result from <b>dcbf</b> and <b>dcbst</b> instructions to be written only into the L2 cache and marked valid, rather than being written only to the 60x bus and marked invalid in the L2 cache in case of hit. This bit allows a <b>dcbz/dcbf</b> instruction sequence to be used with the L1 cache enabled to easily initialize the L2 cache with any address and data information. This bit also keeps <b>dcbz</b> instructions from being broadcast on the 60x and single-beat cacheable store misses in the L2 from being written to the 60x bus.
14–15	L2OH	L2 output hold. These bits configure output hold time for address, data, and control signals driven by the MPC750 to the L2 data RAMs. They should generally be set according to the SRAM's input hold time requirements, for which late-write SRAMs usually differ from flow-through or burst SRAMs. 00 0.5 nS 01 1.0 nS 1x Reserved
16	L2SL	L2 DLL slow. Setting L2SL increases the delay of each tap of the DLL delay line. It is intended to increase the delay through the DLL to accommodate slower L2 RAM bus frequencies. Generally, L2SL should be set if the L2 RAM interface is operated below 100 MHz.
17	L2DF	L2 differential clock. Setting L2DF configures the two clock-out signals (L2CLK_OUTA and L2CLK_OUTB) of the L2 interface to operate as one differential clock. In this mode, the B clock is driven as the logical complement of the A clock. This mode supports the differential clock requirements of late-write SRAMs. Generally, this bit should be set when late-write SRAMs are used.
18	L2BYP	L2 DLL bypass. The DLL unit receives three input clocks: <ul style="list-style-type: none"> <li>• A square-wave clock from the PLL unit to phase adjust and export</li> <li>• A non-square-wave clock for the internal phase reference</li> <li>• A feedback clock (L2SYNC_IN) for the external phase reference.</li> </ul> Asserting L2BYP causes clock #2 to be used as clocks #1 and #2. (Clock #2 is the actual clock used by the registers of the L2 interface circuitry.) L2BYP is intended for use when the PLL is being bypassed, and for engineering evaluation. If the PLL is being bypassed, the DLL must be operated in divide-by-1 mode, and SYSCLK must be fast enough for the DLL to support.
19–30	—	Reserved. These bits are implemented but not used; keep at 0 for future compatibility.
31	L2IP	L2 global invalidate in progress (read only)—This read-only bit indicates whether an L2 global invalidate is occurring. It should be monitored after an L2 global invalidate has been initiated by the L2I bit to determine when it has completed.

The L2CR register can be accessed with the **mtspr** and **mfspr** instructions using SPR 1017.



## 2.1.6 Reset Settings

Table 2-19 shows the state of the registers and other resources after a hard reset and before the first instruction is fetched from address 0xFFFF0\_0100 (the system reset exception vector).

**Table 2-19. Settings Caused by Hard Reset (Used at Power-On)**

Resource	Setting	Resource	Setting
BATs	Undefined	MSR	0x0000_0040 (only IP set)
Caches (L1 /L2)*	Invalidated and disabled	PMC <sub>n</sub>	Undefined
CR	Undefined	PVR	ROM value
CTR	Undefined	Reservation address	Undefined
DABR	Breakpoint is disabled. Address is undefined.	Reservation flag	Cleared
DAR	0x0000_0000	SDR1	0x0000_0000
DEC	0xFFFF_FFFF	SIA	0x0000_0000
DSISR	0x0000_0000	SPRG0–SPGR3	0x0000_0000
EAR	0x0000_0000	SRs	Undefined
FPR	Undefined	SRR0	0x0000_0000
FPSCR	0x0000_0000	SRR1	0x0000_0000
GPR	Undefined	TBU and TBL	0x0000_0000
HID0	0x0000_0000	THRM1–THRM3	0x0000_0000
HID1	0x0000_0000	TLB	Undefined
IABR	0x0000_0000 (Breakpoint is disabled.)	UMMCR <sub>n</sub>	0x0000_0000
ICTC	0x0000_0000	UPMC <sub>n</sub>	0x0000_0000
L2CR	0x0000_0000	USIA	0x0000_0000
LR	0x0000_0000	XER	0x0000_0000
MMCR <sub>n</sub>	0x0000_0000		

\* The processor automatically begins operations by issuing an instruction fetch. Because caching is inhibited at start-up, this generates a single-beat load operation on the bus.

## 2.2 Operand Conventions

This section describes the operand conventions as they are represented in two levels of the PowerPC architecture—UIA and VEA. Detailed descriptions are provided of conventions used for storing values in registers and memory, accessing PowerPC registers, and representation of data in these registers.

### 2.2.1 Floating-Point Execution Models—UIA

The IEEE 754 standard defines conventions for 64- and 32-bit arithmetic. The standard requires that single-precision arithmetic be provided for single-precision operands. The standard permits double-precision arithmetic instructions to have either (or both) single-precision or double-precision operands, but states that single-precision arithmetic instructions should not accept double-precision operands.

The PowerPC UIA follows these guidelines:

- Double-precision arithmetic instructions may have single-precision operands but always produce double-precision results.
- Single-precision arithmetic instructions require all operands to be single-precision and always produce single-precision results.

For arithmetic instructions, conversion from double- to single-precision must be done explicitly by software, while conversion from single- to double-precision is done implicitly by the processor.

All PowerPC implementations provide the equivalent of the following execution models to ensure that identical results are obtained. The definition of the arithmetic instructions for infinities, denormalized numbers, and NaNs follow conventions described in the following sections.

Although the double-precision format specifies an 11-bit exponent, exponent arithmetic uses two additional bit positions to avoid potential transient overflow conditions. An extra bit is required when denormalized double-precision numbers are prenormalized. A second bit is required to permit computation of the adjusted exponent value in the following examples when the corresponding exception enable bit is one:

- Underflow during multiplication using a denormalized operand
- Overflow during division using a denormalized divisor

### 2.2.2 Data Organization in Memory and Data Transfers

Bytes in memory are numbered consecutively starting with 0. Each number is the address of the corresponding byte.

Memory operands may be bytes, half words, words, or double words, or, for the load/store multiple and load/store string instructions, a sequence of bytes or words. The address of a

memory operand is the address of its first byte (that is, of its lowest-numbered byte). Operand length is implicit for each instruction.

### 2.2.3 Alignment and Misaligned Accesses

The operand of a single-register memory access instruction has an alignment boundary equal to its length. An operand's address is misaligned if it is not a multiple of its width. Operands for single-register memory access instructions have the characteristics shown in Table 2-20. Although not permitted as memory operands, quad words are shown because quad-word alignment is desirable for certain memory operands.

The concept of alignment is also applied more generally to data in memory. For example, a 12-byte data item is said to be word-aligned if its address is a multiple of four.

Some instructions require their memory operands to have certain alignment. In addition, alignment may affect performance. For single-register memory access instructions, the best performance is obtained when memory operands are aligned.

Instructions are 32 bits (one word) long and must be word-aligned.

The MPC750 does not provide hardware support for floating-point memory that is not word-aligned. If a floating-point operand is not aligned, the MPC750 invokes an alignment exception, and it is left up to software to break up the offending storage access operation appropriately. In addition, some non-double-word-aligned memory accesses suffer performance degradation as compared to an aligned access of the same type.

In general, floating-point word accesses should always be word-aligned and floating-point double-word accesses should always be double-word-aligned. Frequent use of misaligned accesses is discouraged since they can degrade overall performance.

### 2.2.4 Floating-Point Operand

The MPC750 provides hardware support for all single- and double-precision floating-point operations for most value representations and all rounding modes. This architecture provides for hardware to implement a floating-point system as defined in ANSI/IEEE standard 754-1985, *IEEE Standard for Binary Floating Point Arithmetic*. Detailed information about the floating-point execution model can be found in Chapter 3, "Operand Conventions," in *The Programming Environments Manual*.

The MPC750 supports non-IEEE mode whenever FPSCR[29] is set. In this mode, denormalized numbers, NaNs, and some IEEE invalid operations are treated in a non-IEEE conforming manner. This is accomplished by delivering results that approximate the values required by the IEEE standard. Table 2-20 summarizes the conditions and mode behavior for operands.

**Table 2-20. Floating-Point Operand Data Type Behavior**

Operand A Data Type	Operand B Data Type	Operand C Data Type	IEEE Mode (NI = 0)	Non-IEEE Mode (NI = 1)
Single denormalized Double denormalized	Single denormalized Double denormalized	Single denormalized Double denormalized	Normalize all three	Zero all three
Single denormalized Double denormalized	Single denormalized Double denormalized	Normalized or zero	Normalize A and B	Zero A and B
Normalized or zero	Single denormalized Double denormalized	Single denormalized Double denormalized	Normalize B and C	Zero B and C
Single denormalized Double denormalized	Normalized or zero	Single denormalized Double denormalized	Normalize A and C	Zero A and C
Single denormalized Double denormalized	Normalized or zero	Normalized or zero	Normalize A	Zero A
Normalized or zero	Single denormalized Double denormalized	Normalized or zero	Normalize B	Zero B
Normalized or zero	Normalized or zero	Single denormalized Double denormalized	Normalize C	Zero C
Single QNaN Single SNaN Double QNaN Double SNaN	Don't care	Don't care	QNaN <sup>1</sup>	QNaN <sup>1</sup>
Don't care	Single QNaN Single SNaN Double QNaN Double SNaN	Don't care	QNaN <sup>1</sup>	QNaN <sup>1</sup>
Don't care	Don't care	Single QNaN Single SNaN Double QNaN Double SNaN	QNaN <sup>1</sup>	QNaN <sup>1</sup>
Single normalized Single infinity Single zero Double normalized Double infinity Double zero	Single normalized Single infinity Single zero Double normalized Double infinity Double zero	Single normalized Single infinity Single zero Double normalized Double infinity Double zero	Do the operation	Do the operation

<sup>1</sup> Prioritize according to Chapter 3, "Operand Conventions," in *The Programming Environments Manual*.

Table 2-21 summarizes the mode behavior for results.

**Table 2-21. Floating-Point Result Data Type Behavior**

Precision	Data Type	IEEE Mode (NI = 0)	Non-IEEE Mode (NI = 1)
Single	Denormalized	Return single-precision denormalized number with trailing zeros.	Return zero.
Single	Normalized, infinity, zero	Return the result.	Return the result.
Single	QNaN, SNaN	Return QNaN.	Return QNaN.
Single	INT	Place integer into low word of FPR.	If (Invalid Operation) then Place (0x8000) into FPR[32–63] else Place integer into FPR[32–63].
Double	Denormalized	Return double-precision denormalized number.	Return zero.
Double	Normalized, infinity, zero	Return the result.	Return the result.
Double	QNaN, SNaN	Return QNaN.	Return QNaN.
Double	INT	Not supported by MPC750	Not supported by MPC750

## 2.3 Instruction Set Summary

This chapter describes instructions and addressing modes defined for the MPC750. These instructions are divided into the following functional categories:

- Integer instructions—These include arithmetic and logical instructions. For more information, see Section 2.3.4.1, “Integer Instructions.”
- Floating-point instructions—These include floating-point arithmetic instructions, as well as instructions that affect the floating-point status and control register (FPSCR). For more information, see Section 2.3.4.2, “Floating-Point Instructions.”
- Load and store instructions—These include integer and floating-point load and store instructions. For more information, see Section 2.3.4.3, “Load and Store Instructions.”
- Flow control instructions—These include branching instructions, condition register logical instructions, trap instructions, and other instructions that affect the instruction flow. For more information, see Section 2.3.4.4, “Branch and Flow Control Instructions.”
- Processor control instructions—These instructions are used for synchronizing memory accesses and managing caches, TLBs, and segment registers. For more information, see Section 2.3.4.6, “Processor Control Instructions—UISA,” Section 2.3.5.1, “Processor Control Instructions—VEA,” and Section 2.3.6.2, “Processor Control Instructions—OEA.”

- Memory synchronization instructions—These instructions are used for memory synchronizing. See Section 2.3.4.7, “Memory Synchronization Instructions—UISA,” Section 2.3.5.2, “Memory Synchronization Instructions—VEA,” for more information.
- Memory control instructions—These instructions provide control of caches, TLBs, and segment registers. For more information, see Section 2.3.5.3, “Memory Control Instructions—VEA,” and Section 2.3.6.3, “Memory Control Instructions—OEA.”
- External control instructions—These include instructions for use with special input/output devices. For more information, see Section 2.3.5.4, “Optional External Control Instructions.”

Note that this grouping of instructions does not necessarily indicate the execution unit that processes a particular instruction or group of instructions. This information, which is useful for scheduling instructions most effectively, is provided in Chapter 6, “Instruction Timing.”

Integer instructions operate on word operands. Floating-point instructions operate on single-precision and double-precision floating-point operands. The PowerPC architecture uses instructions that are four bytes long and word-aligned. It provides for byte, half-word, and word operand loads and stores between memory and a set of 32 general-purpose registers (GPRs). It also provides for word and double-word operand loads and stores between memory and a set of 32 floating-point registers (FPRs).

Arithmetic and logical instructions do not read or modify memory. To use the contents of a memory location in a computation and then modify the same or another memory location, the memory contents must be loaded into a register, modified, and then written to the target location using load and store instructions.

The description of each instruction includes the mnemonic and a formatted list of operands. To simplify assembly language programming, a set of simplified mnemonics and symbols is provided for some of the frequently-used instructions; see Appendix F, “Simplified Mnemonics,” in *The Programming Environments Manual* for a complete list of simplified mnemonics. Note that the architecture specification refers to simplified mnemonics as extended mnemonics. Programs written to be portable across the various assemblers for the PowerPC architecture should not assume the existence of mnemonics not described in that document.

### 2.3.1 Classes of Instructions

The MPC750 instructions belong to one of the following three classes:

- Defined
- Illegal
- Reserved

Note that while the definitions of these terms are consistent among the PowerPC processors, the assignment of these classifications is not. For example, PowerPC

instructions defined for 64-bit implementations are treated as illegal by 32-bit implementations such as the MPC750.

The class is determined by examining the primary opcode and the extended opcode, if any. If the opcode, or combination of opcode and extended opcode, is not that of a defined instruction or of a reserved instruction, the instruction is illegal.

Instruction encodings that are now illegal may become assigned to instructions in the architecture or may be reserved by being assigned to processor-specific instructions.

### 2.3.1.1 Definition of Boundedly Undefined

If instructions are encoded with incorrectly set bits in reserved fields, the results on execution can be said to be boundedly undefined. If a user-level program executes the incorrectly coded instruction, the resulting undefined results are bounded in that a spurious change from user to supervisor state is not allowed, and the level of privilege exercised by the program in relation to memory access and other system resources cannot be exceeded. Boundedly-undefined results for a given instruction may vary between implementations, and between execution attempts in the same implementation.

### 2.3.1.2 Defined Instruction Class

Defined instructions are guaranteed to be supported in all PowerPC implementations, except as stated in the instruction descriptions in Chapter 8, “Instruction Set,” in *The Programming Environments Manual*. The MPC750 provides hardware support for all instructions defined for 32-bit implementations. It does not support the optional **fsqrt**, **fsqrts**, and **tlbia** instructions.

A PowerPC processor invokes the illegal instruction error handler (part of the program exception) when the unimplemented PowerPC instructions are encountered so they may be emulated in software, as required. Note that the architecture specification refers to exceptions as interrupts.

A defined instruction can have invalid forms. The MPC750 provides limited support for instructions represented in an invalid form.

### 2.3.1.3 Illegal Instruction Class

Illegal instructions can be grouped into the following categories:

- Instructions not defined in the PowerPC architecture. The following primary opcodes are defined as illegal but may be used in future extensions to the architecture:

1, 4, 5, 6, 9, 22, 56, 57, 60, 61

Future versions of the PowerPC architecture may define any of these instructions to perform new functions.

- Instructions defined in the PowerPC architecture but not implemented in a specific PowerPC implementation. For example, instructions that can be executed on 64-bit PowerPC processors are considered illegal by 32-bit processors such as the MPC750.

The following primary opcodes are defined for 64-bit implementations only and are illegal on the MPC750:

2, 30, 58, 62

- All unused extended opcodes are illegal. The unused extended opcodes can be determined from information in Section A.2, “Instructions Sorted by Opcode,” and Section 2.3.1.4, “Reserved Instruction Class.” Notice that extended opcodes for instructions defined only for 64-bit implementations are illegal in 32-bit implementations, and vice versa. The following primary opcodes have unused extended opcodes.  
17, 19, 31, 59, 63 (Primary opcodes 30 and 62 are illegal for all 32-bit implementations, but as 64-bit opcodes they have some unused extended opcodes.)
- An instruction consisting of only zeros is guaranteed to be an illegal instruction. This increases the probability that an attempt to execute data or uninitialized memory invokes the system illegal instruction error handler (a program exception). Note that if only the primary opcode consists of all zeros, the instruction is considered a reserved instruction, as described in Section 2.3.1.4, “Reserved Instruction Class.”

The MPC750 invokes the system illegal instruction error handler (a program exception) when it detects any instruction from this class or any instructions defined only for 64-bit implementations.

See Section 4.5.7, “Program Exception (0x00700),” for additional information about illegal and invalid instruction exceptions. Except for an instruction consisting of binary zeros, illegal instructions are available for additions to the PowerPC architecture.

### 2.3.1.4 Reserved Instruction Class

Reserved instructions are allocated to specific implementation-dependent purposes not defined by the PowerPC architecture. Attempting to execute an unimplemented reserved instruction invokes the illegal instruction error handler (a program exception). See “Program Exception (0x00700),” in Chapter 6, “Exceptions,” in *The Programming Environments Manual* for information about illegal and invalid instruction exceptions.

The PowerPC architecture defines four types of reserved instructions:

- Instructions in the POWER architecture not part of the PowerPC UISA. For details on POWER architecture incompatibilities and how they are handled by PowerPC processors, see Appendix B, “POWER Architecture Cross Reference,” in *The Programming Environments Manual*.
- Implementation-specific instructions required for the processor to conform to the PowerPC architecture (none of these are implemented in the MPC750)



- All other implementation-specific instructions
- Architecturally-allowed extended opcodes

### **2.3.2 Addressing Modes**

This section provides an overview of conventions for addressing memory and for calculating effective addresses as defined by the PowerPC architecture for 32-bit implementations. For more detailed information, see “Conventions,” in Chapter 4, “Addressing Modes and Instruction Set Summary,” of *The Programming Environments Manual*.

#### **2.3.2.1 Memory Addressing**

A program references memory using the effective (logical) address computed by the processor when it executes a memory access or branch instruction or when it fetches the next sequential instruction.

Bytes in memory are numbered consecutively starting with zero. Each number is the address of the corresponding byte.

#### **2.3.2.2 Memory Operands**

Memory operands may be bytes, half words, words, or double words, or, for the load/store multiple and load/store string instructions, a sequence of bytes or words. The address of a memory operand is the address of its first byte (that is, of its lowest-numbered byte). Operand length is implicit for each instruction. The PowerPC architecture supports both big-endian and little-endian byte ordering. The default byte and bit ordering is big-endian. See “Byte Ordering,” in Chapter 3, “Operand Conventions,” of *The Programming Environments Manual* for more information about big- and little-endian byte ordering.

The operand of a single-register memory access instruction has a natural alignment boundary equal to the operand length. In other words, the “natural” address of an operand is an integral multiple of the operand length. A memory operand is said to be aligned if it is aligned at its natural boundary; otherwise it is misaligned. For a detailed discussion about memory operands, see Chapter 3, “Operand Conventions,” of *The Programming Environments Manual*.

#### **2.3.2.3 Effective Address Calculation**

An effective address is the 32-bit sum computed by the processor when executing a memory access or branch instruction or when fetching the next sequential instruction. For a memory access instruction, if the sum of the effective address and the operand length exceeds the maximum effective address, the memory operand is considered to wrap around from the maximum effective address through effective address 0, as described in the following paragraphs.

Effective address computations for both data and instruction accesses use 32-bit unsigned binary arithmetic. A carry from bit 0 is ignored.

Load and store operations have the following modes of effective address generation:

- $EA = (rA|0) + \text{offset}$  (including offset = 0) (register indirect with immediate index)
- $EA = (rA|0) + rB$  (register indirect with index)

Refer to Section 2.3.4.3.2, “Integer Load and Store Address Generation,” for a detailed description of effective address generation for load and store operations.

Branch instructions have three categories of effective address generation:

- Immediate
- Link register indirect
- Count register indirect

#### 2.3.2.4 Synchronization

The synchronization described in this section refers to the state of the processor that is performing the synchronization.

##### 2.3.2.4.1 Context Synchronization

The System Call (**sc**) and Return from Interrupt (**rfi**) instructions perform context synchronization by allowing previously issued instructions to complete before performing a change in context. Execution of one of these instructions ensures the following:

- No higher priority exception exists (**sc**).
- All previous instructions have completed to a point where they can no longer cause an exception. If a prior memory access instruction causes direct-store error exceptions, the results are guaranteed to be determined before this instruction is executed.
- Previous instructions complete execution in the context (privilege, protection, and address translation) under which they were issued.
- The instructions following the **sc** or **rfi** instruction execute in the context established by these instructions.

##### 2.3.2.4.2 Execution Synchronization

An instruction is execution synchronizing if all previously initiated instructions appear to have completed before the instruction is initiated or, in the case of **sync** and **isync**, before the instruction completes. For example, the Move to Machine State Register (**mtmsr**) instruction is execution synchronizing. It ensures that all preceding instructions have completed execution and cannot cause an exception before the instruction executes, but does not ensure subsequent instructions execute in the newly established environment. For example, if the **mtmsr** sets the MSR[PR] bit, unless an **isync** immediately follows the **mtmsr** instruction, a privileged instruction could be executed or privileged access could be performed without causing an exception even though the MSR[PR] bit indicates user mode.

### 2.3.2.4.3 Instruction-Related Exceptions

There are two kinds of exceptions in the MPC750—those caused directly by the execution of an instruction and those caused by an asynchronous event (or interrupts). Either may cause components of the system software to be invoked.

Exceptions can be caused directly by the execution of an instruction as follows:

- An attempt to execute an illegal instruction causes the illegal instruction (program exception) handler to be invoked. An attempt by a user-level program to execute the supervisor-level instructions listed below causes the privileged instruction (program exception) handler to be invoked. The MPC750 provides the following supervisor-level instructions: **dcbi**, **mfmsr**, **mfspr**, **mfsr**, **mfsrin**, **mtmsr**, **mtspr**, **mtsr**, **mtsrin**, **rfi**, **tlbie**, and **tlbsync**. Note that the privilege level of the **mfspr** and **mtspr** instructions depends on the SPR encoding.
- Any **mtspr**, **mfspir**, or **mftb** instruction with an invalid SPR (or TBR) field causes an illegal type program exception. Likewise, a program exception is taken if user-level software tries to access a supervisor-level SPR. An **mtspr** instruction executing in supervisor mode (MSR[PR] = 0) with the SPR field specifying HID1 or PVR (read-only registers) executes as a no-op.
- An attempt to access memory that is not available (page fault) causes the ISI or DSI exception handler to be invoked.
- The execution of an **sc** instruction invokes the system call exception handler that permits a program to request the system to perform a service.
- The execution of a trap instruction invokes the program exception trap handler.
- The execution of an instruction that causes a floating-point exception while exceptions are enabled in the MSR invokes the program exception handler.

A detailed description of exception conditions is provided in Chapter 4, “Exceptions.”

### 2.3.3 Instruction Set Overview

This section provides a brief overview of the PowerPC instructions implemented in the MPC750 and highlights any special information with respect to how the MPC750 implements a particular instruction. Note that the categories used in this section correspond to those used in Chapter 4, “Addressing Modes and Instruction Set Summary,” in *The Programming Environments Manual*. These categorizations are somewhat arbitrary and are provided for the convenience of the programmer and do not necessarily reflect the PowerPC architecture specification.

Note that some instructions have the following optional features:

- CR Update—The dot (.) suffix on the mnemonic enables the update of the CR.
- Overflow option—The **o** suffix indicates that the overflow bit in the XER is enabled.

## 2.3.4 PowerPC UISA Instructions

The PowerPC UISA includes the base user-level instruction set (excluding a few user-level cache control, synchronization, and time base instructions), user-level registers, programming model, data types, and addressing modes. This section discusses the instructions defined in the UISA.

### 2.3.4.1 Integer Instructions

This section describes the integer instructions. These consist of the following:

- Integer arithmetic instructions
- Integer compare instructions
- Integer logical instructions
- Integer rotate and shift instructions

Integer instructions use the content of the GPRs as source operands and place results into GPRs, into the integer exception register (XER), and into condition register (CR) fields.

#### 2.3.4.1.1 Integer Arithmetic Instructions

Table 2-22 lists the integer arithmetic instructions for the PowerPC processors.

**Table 2-22. Integer Arithmetic Instructions**

Name	Mnemonic	Syntax
Add Immediate	<b>addi</b>	rD,rA,SIMM
Add Immediate Shifted	<b>addis</b>	rD,rA,SIMM
Add	<b>add</b> ( <b>add.</b> <b>addo</b> <b>addo.</b> )	rD,rA,rB
Subtract From	<b>subf</b> ( <b>subf.</b> <b>subfo</b> <b>subfo.</b> )	rD,rA,rB
Add Immediate Carrying	<b>addic</b>	rD,rA,SIMM
Add Immediate Carrying and Record	<b>addic.</b>	rD,rA,SIMM
Subtract from Immediate Carrying	<b>subfic</b>	rD,rA,SIMM
Add Carrying	<b>addc</b> ( <b>addc.</b> <b>addco</b> <b>addco.</b> )	rD,rA,rB
Subtract from Carrying	<b>subfc</b> ( <b>subfc.</b> <b>subfco</b> <b>subfco.</b> )	rD,rA,rB
Add Extended	<b>adde</b> ( <b>adde.</b> <b>addeo</b> <b>addeo.</b> )	rD,rA,rB
Subtract from Extended	<b>subfe</b> ( <b>subfe.</b> <b>subfeo</b> <b>subfeo.</b> )	rD,rA,rB
Add to Minus One Extended	<b>addme</b> ( <b>addme.</b> <b>addmeo</b> <b>addmeo.</b> )	rD,rA
Subtract from Minus One Extended	<b>subfme</b> ( <b>subfme.</b> <b>subfmeo</b> <b>subfmeo.</b> )	rD,rA
Add to Zero Extended	<b>addze</b> ( <b>addze.</b> <b>addzeo</b> <b>addzeo.</b> )	rD,rA
Subtract from Zero Extended	<b>subfze</b> ( <b>subfze.</b> <b>subfzeo</b> <b>subfzeo.</b> )	rD,rA
Negate	<b>neg</b> ( <b>neg.</b> <b>nego</b> <b>nego.</b> )	rD,rA
Multiply Low Immediate	<b>mulli</b>	rD,rA,SIMM

**Table 2-22. Integer Arithmetic Instructions (Continued)**

Name	Mnemonic	Syntax
Multiply Low	<b>mullw</b> ( <b>mullw.</b> <b>mullwo</b> <b>mullwo.</b> )	rD,rA,rB
Multiply High Word	<b>mulhw</b> ( <b>mulhw.</b> )	rD,rA,rB
Multiply High Word Unsigned	<b>mulhwu</b> ( <b>mulhwu.</b> )	rD,rA,rB
Divide Word	<b>divw</b> ( <b>divw.</b> <b>divwo</b> <b>divwo.</b> )	rD,rA,rB
Divide Word Unsigned	<b>divwu</b> <b>divwu.</b> <b>divwuo</b> <b>divwuo.</b>	rD,rA,rB

Although there is no Subtract Immediate instruction, its effect can be achieved by using an **addi** instruction with the immediate operand negated. Simplified mnemonics are provided that include this negation. The **subf** instructions subtract the second operand (**rA**) from the third operand (**rB**). Simplified mnemonics are provided in which the third operand is subtracted from the second operand. See Appendix F, “Simplified Mnemonics,” in *The Programming Environments Manual* for examples.

The UISA states that an implementation that executes instructions that set the overflow enable bit (OE) or the carry bit (CA) may either execute these instructions slowly or prevent execution of the subsequent instruction until the operation completes. Chapter 6, “Instruction Timing,” describes how the MPC750 handles CR dependencies. The summary overflow bit (SO) and overflow bit (OV) in the integer exception register are set to reflect an overflow condition of a 32-bit result. This can happen only when OE = 1.

### 2.3.4.1.2 Integer Compare Instructions

The integer compare instructions algebraically or logically compare the contents of register **rA** with either the zero-extended value of the UIMM operand, the sign-extended value of the SIMM operand, or the contents of register **rB**. The comparison is signed for the **cmpi** and **cmp** instructions, and unsigned for the **cmpli** and **cmpl** instructions. Table 2-23 summarizes the integer compare instructions.

**Table 2-23. Integer Compare Instructions**

Name	Mnemonic	Syntax
Compare Immediate	<b>cmpi</b>	crfD,L,rA,SIMM
Compare	<b>cmp</b>	crfD,L,rA,rB
Compare Logical Immediate	<b>cmpli</b>	crfD,L,rA,UIMM
Compare Logical	<b>cmpl</b>	crfD,L,rA,rB

The **crfD** operand can be omitted if the result of the comparison is to be placed in CR0. Otherwise the target CR field must be specified in **crfD**, using an explicit field number.

For information on simplified mnemonics for the integer compare instructions see Appendix F, “Simplified Mnemonics,” in *The Programming Environments Manual*.

### 2.3.4.1.3 Integer Logical Instructions

The logical instructions shown in Table 2-24 perform bit-parallel operations on the specified operands. Logical instructions with the CR updating enabled (uses dot suffix) and instructions **andi.** and **andis.** set CR field CR0 to characterize the result of the logical operation. Logical instructions do not affect XER[SO], XER[OV], or XER[CA].

See Appendix F, “Simplified Mnemonics,” in *The Programming Environments Manual* for simplified mnemonic examples for integer logical operations.

**Table 2-24. Integer Logical Instructions**

Name	Mnemonic	Syntax	Implementation Notes
AND Immediate	<b>andi.</b>	rA,rS,UIMM	—
AND Immediate Shifted	<b>andis.</b>	rA,rS,UIMM	—
OR Immediate	<b>ori</b>	rA,rS,UIMM	The PowerPC architecture defines <b>ori r0,r0,0</b> as the preferred form for the no-op instruction. The dispatcher discards this instruction (except for pending trace or breakpoint exceptions).
OR Immediate Shifted	<b>oris</b>	rA,rS,UIMM	—
XOR Immediate	<b>xori</b>	rA,rS,UIMM	—
XOR Immediate Shifted	<b>xoris</b>	rA,rS,UIMM	—
AND	<b>and (and.)</b>	rA,rS,rB	—
OR	<b>or (or.)</b>	rA,rS,rB	—
XOR	<b>xor (xor.)</b>	rA,rS,rB	—
NAND	<b>nand (nand.)</b>	rA,rS,rB	—
NOR	<b>nor (nor.)</b>	rA,rS,rB	—
Equivalent	<b>eqv (eqv.)</b>	rA,rS,rB	—
AND with Complement	<b>andc (andc.)</b>	rA,rS,rB	—
OR with Complement	<b>orc (orc.)</b>	rA,rS,rB	—
Extend Sign Byte	<b>extsb (extsb.)</b>	rA,rS	—
Extend Sign Half Word	<b>extsh (extsh.)</b>	rA,rS	—
Count Leading Zeros Word	<b>cntlzw (cntlzw.)</b>	rA,rS	—

### 2.3.4.1.4 Integer Rotate and Shift Instructions

Rotation operations are performed on data from a GPR, and the result, or a portion of the result, is returned to a GPR. See Appendix F, “Simplified Mnemonics,” in *The Programming Environments Manual* for a complete list of simplified mnemonics that allows simpler coding of often-used functions such as clearing the leftmost or rightmost bits of a register, left justifying or right justifying an arbitrary field, and simple rotates and shifts.

Integer rotate instructions rotate the contents of a register. The result of the rotation is either inserted into the target register under control of a mask (if a mask bit is 1 the associated bit of the rotated data is placed into the target register, and if the mask bit is 0 the associated bit in the target register is unchanged), or ANDed with a mask before being placed into the target register.

The integer rotate instructions are summarized in Table 2-25.

**Table 2-25. Integer Rotate Instructions**

Name	Mnemonic	Syntax
Rotate Left Word Immediate then AND with Mask	<b>rlwinm</b> (rlwinm.)	rA,rS,SH,MB,ME
Rotate Left Word then AND with Mask	<b>rlwnm</b> (rlwnm.)	rA,rS,rB,MB,ME
Rotate Left Word Immediate then Mask Insert	<b>rlwimi</b> (rlwimi.)	rA,rS,SH,MB,ME

The integer shift instructions perform left and right shifts. Immediate-form logical (unsigned) shift operations are obtained by specifying masks and shift values for certain rotate instructions. Simplified mnemonics (shown in Appendix F, “Simplified Mnemonics,” in *The Programming Environments Manual*) are provided to make coding of such shifts simpler and easier to understand.

Multiple-precision shifts can be programmed as shown in Appendix C, “Multiple-Precision Shifts,” in *The Programming Environments Manual*. The integer shift instructions are summarized in Table 2-26.

**Table 2-26. Integer Shift Instructions**

Name	Mnemonic	Syntax
Shift Left Word	<b>slw</b> (slw.)	rA,rS,rB
Shift Right Word	<b>srw</b> (srw.)	rA,rS,rB
Shift Right Algebraic Word Immediate	<b>srawi</b> (srawi.)	rA,rS,SH
Shift Right Algebraic Word	<b>sraw</b> (sraw.)	rA,rS,rB

### 2.3.4.2 Floating-Point Instructions

This section describes the floating-point instructions, which include the following:

- Floating-point arithmetic instructions
- Floating-point multiply-add instructions
- Floating-point rounding and conversion instructions
- Floating-point compare instructions
- Floating-point status and control register instructions
- Floating-point move instructions

See Section 2.3.4.3, “Load and Store Instructions,” for information about floating-point loads and stores.

The PowerPC architecture supports a floating-point system as defined in the IEEE 754 standard, but requires software support to conform with that standard. All floating-point operations conform to the IEEE 754 standard, except if software sets the non-IEEE mode FPSCR[NI].

### 2.3.4.2.1 Floating-Point Arithmetic Instructions

The floating-point arithmetic instructions are summarized in Table 2-27.

**Table 2-27. Floating-Point Arithmetic Instructions**

Name	Mnemonic	Syntax
Floating Add (Double-Precision)	<b>fadd</b> ( <i>fadd.</i> )	frD,frA,frB
Floating Add Single	<b>fadds</b> ( <i>fadds.</i> )	frD,frA,frB
Floating Subtract (Double-Precision)	<b>fsub</b> ( <i>fsub.</i> )	frD,frA,frB
Floating Subtract Single	<b>fsubs</b> ( <i>fsubs.</i> )	frD,frA,frB
Floating Multiply (Double-Precision)	<b>fmul</b> ( <i>fmul.</i> )	frD,frA,frC
Floating Multiply Single	<b>fmuls</b> ( <i>fmuls.</i> )	frD,frA,frC
Floating Divide (Double-Precision)	<b>fdiv</b> ( <i>fdiv.</i> )	frD,frA,frB
Floating Divide Single	<b>fdivs</b> ( <i>fdivs.</i> )	frD,frA,frB
Floating Reciprocal Estimate Single <sup>1</sup>	<b>fres</b> ( <i>fres.</i> )	frD,frB
Floating Reciprocal Square Root Estimate <sup>1</sup>	<b>frsqrte</b> ( <i>frsqrte.</i> )	frD,frB
Floating Select <sup>1</sup>	<b>fsel</b>	frD,frA,frC,frB

<sup>1</sup>The **fsel** instruction is optional in the PowerPC architecture.

All single-precision arithmetic instructions are performed using a double-precision format. The floating-point architecture is a single-pass implementation for double-precision products. In most cases, a single-precision instruction using only single-precision operands, in double-precision format, has the same latency as its double-precision equivalent.

### 2.3.4.2.2 Floating-Point Multiply-Add Instructions

These instructions combine multiply and add operations without an intermediate rounding operation. The floating-point multiply-add instructions are summarized in Table 2-28.

**Table 2-28. Floating-Point Multiply-Add Instructions**

Name	Mnemonic	Syntax
Floating Multiply-Add (Double-Precision)	<b>fmadd</b> ( <i>fmadd.</i> )	frD,frA,frC,frB
Floating Multiply-Add Single	<b>fmadds</b> ( <i>fmadds.</i> )	frD,frA,frC,frB



**Table 2-28. Floating-Point Multiply-Add Instructions (Continued)**

Name	Mnemonic	Syntax
Floating Multiply-Subtract (Double-Precision)	<b>fmsub</b> ( <i>fmsub.</i> )	frD,frA,frC,frB
Floating Multiply-Subtract Single	<b>fmsubs</b> ( <i>fmsubs.</i> )	frD,frA,frC,frB
Floating Negative Multiply-Add (Double-Precision)	<b>fnmadd</b> ( <i>fnmadd.</i> )	frD,frA,frC,frB
Floating Negative Multiply-Add Single	<b>fnmadds</b> ( <i>fnmadds.</i> )	frD,frA,frC,frB
Floating Negative Multiply-Subtract (Double-Precision)	<b>fnmsub</b> ( <i>fnmsub.</i> )	frD,frA,frC,frB
Floating Negative Multiply-Subtract Single	<b>fnmsubs</b> ( <i>fnmsubs.</i> )	frD,frA,frC,frB

**2.3.4.2.3 Floating-Point Rounding and Conversion Instructions**

The Floating Round to Single-Precision (**frsp**) instruction is used to truncate a 64-bit double-precision number to a 32-bit single-precision floating-point number. The floating-point convert instructions convert a 64-bit double-precision floating-point number to a 32-bit signed integer number.

Examples of uses of these instructions to perform various conversions can be found in Appendix D, “Floating-Point Models,” in *The Programming Environments Manual*.

**Table 2-29. Floating-Point Rounding and Conversion Instructions**

Name	Mnemonic	Syntax
Floating Round to Single	<b>frsp</b> ( <i>frsp.</i> )	frD,frB
Floating Convert to Integer Word	<b>fctiw</b> ( <i>fctiw.</i> )	frD,frB
Floating Convert to Integer Word with Round toward Zero	<b>fctiwz</b> ( <i>fctiwz.</i> )	frD,frB

**2.3.4.2.4 Floating-Point Compare Instructions**

Floating-point compare instructions compare the contents of two floating-point registers. The comparison ignores the sign of zero (that is  $+0 = -0$ ). The floating-point compare instructions are summarized in Table 2-30.

**Table 2-30. Floating-Point Compare Instructions**

Name	Mnemonic	Syntax
Floating Compare Unordered	<b>fcmpu</b>	crfD,frA,frB
Floating Compare Ordered	<b>fcmpo</b>	crfD,frA,frB

The PowerPC architecture allows an **fcmfu** or **fcmfu** instruction with the Rc bit set to produce a boundedly-undefined result, which may include an illegal instruction program exception. In the MPC750, **crfD** should be treated as undefined

### 2.3.4.2.5 Floating-Point Status and Control Register Instructions

Every FPSCR instruction appears to synchronize the effects of all floating-point instructions executed by a given processor. Executing an FPSCR instruction ensures that all floating-point instructions previously initiated by the given processor appear to have completed before the FPSCR instruction is initiated and that no subsequent floating-point instructions appear to be initiated by the given processor until the FPSCR instruction has completed. The FPSCR instructions are summarized in Table 2-31.

**Table 2-31. Floating-Point Status and Control Register Instructions**

Name	Mnemonic	Syntax
Move from FPSCR	<b>mffs</b> ( <i>mffs.</i> )	frD
Move to Condition Register from FPSCR	<b>mcrfs</b>	crfD,crfS
Move to FPSCR Field Immediate	<b>mtfsfi</b> ( <i>mtfsfi.</i> )	crfD,IMM
Move to FPSCR Fields	<b>mtfsf</b> ( <i>mtfsf.</i> )	FM,frB
Move to FPSCR Bit 0	<b>mtfsb0</b> ( <i>mtfsb0.</i> )	crbD
Move to FPSCR Bit 1	<b>mtfsb1</b> ( <i>mtfsb1.</i> )	crbD

**Implementation Note**—The PowerPC architecture states that in some implementations, the Move to FPSCR Fields (**mtfsf**) instruction may perform more slowly when only some of the fields are updated as opposed to all of the fields. In the MPC750, there is no degradation of performance.

### 2.3.4.2.6 Floating-Point Move Instructions

Floating-point move instructions copy data from one FPR to another. The floating-point move instructions do not modify the FPSCR. The CR update option in these instructions controls the placing of result status into CR1. Table 2-32 summarizes the floating-point move instructions.

**Table 2-32. Floating-Point Move Instructions**

Name	Mnemonic	Syntax
Floating Move Register	<b>fmr</b> ( <i>fmr.</i> )	frD,frB
Floating Negate	<b>fneg</b> ( <i>fneg.</i> )	frD,frB
Floating Absolute Value	<b>fabs</b> ( <i>fabs.</i> )	frD,frB
Floating Negative Absolute Value	<b>fnabs</b> ( <i>fnabs.</i> )	frD,frB

### 2.3.4.3 Load and Store Instructions

Load and store instructions are issued and translated in program order; however, the accesses can occur out of order. Synchronizing instructions are provided to enforce strict ordering. This section describes the load and store instructions, which consist of the following:

- Integer load instructions
- Integer store instructions
- Integer load and store with byte-reverse instructions
- Integer load and store multiple instructions
- Floating-point load instructions
- Floating-point store instructions
- Memory synchronization instructions

**Implementation Notes**—The following describes how the MPC750 handles misalignment:

The MPC750 provides hardware support for misaligned memory accesses. It performs those accesses within a single cycle if the operand lies within a double-word boundary. Misaligned memory accesses that cross a double-word boundary degrade performance.

For string operations, the hardware makes no attempt to combine register values to reduce the number of discrete accesses. Combining stores enhances performance if store gathering is enabled and the accesses meet the criteria described in Section 6.4.7, “Integer Store Gathering.” Note that the PowerPC architecture requires load/store multiple instruction accesses to be aligned. At a minimum, additional cache access cycles are required.

Although many unaligned memory accesses are supported in hardware, the frequent use of them is discouraged since they can compromise the overall performance of the processor.

Accesses that cross a translation boundary may be restarted. That is, a misaligned access that crosses a page boundary is completely restarted if the second portion of the access causes a page fault. This may cause the first access to be repeated.

On some processors, such as the 603, a TLB reload would cause an instruction restart. On the MPC750, TLB reloads are done transparently and only a page fault causes a restart.

#### 2.3.4.3.1 Self-Modifying Code

When a processor modifies a memory location that may be contained in the instruction cache, software must ensure that memory updates are visible to the instruction fetching mechanism. This can be achieved by the following instruction sequence:

<b>debst</b>	update memory
<b>sync</b>	wait for update
<b>icbi</b>	remove (invalidate) copy in instruction cache
<b>isync</b>	remove copy in own instruction buffer

These operations are required because the data cache is a write-back cache. Since instruction fetching bypasses the data cache, changes to items in the data cache may not be reflected in memory until the fetch operations complete.

Special care must be taken to avoid coherency paradoxes in systems that implement unified secondary caches, and designers should carefully follow the guidelines for maintaining cache coherency that are provided in the VEA, and discussed in Chapter 5, “Cache Model and Memory Coherency,” in *The Programming Environments Manual*. Because the MPC750 does not broadcast the M bit for instruction fetches, external caches are subject to coherency paradoxes.

#### 2.3.4.3.2 Integer Load and Store Address Generation

Integer load and store operations generate effective addresses using register indirect with immediate index mode, register indirect with index mode, or register indirect mode. See Section 2.3.2.3, “Effective Address Calculation,” for information about calculating effective addresses. Note that in some implementations, operations that are not naturally aligned may suffer performance degradation. Refer to Section 4.5.6, “Alignment Exception (0x00600),” for additional information about load and store address alignment exceptions.

#### 2.3.4.3.3 Register Indirect Integer Load Instructions

For integer load instructions, the byte, half word, word, or double word addressed by the EA (effective address) is loaded into **rD**. Many integer load instructions have an update form, in which **rA** is updated with the generated effective address. For these forms, if **rA**  $\neq$  0 and **rA**  $\neq$  **rD** (otherwise invalid), the EA is placed into **rA** and the memory element (byte, half word, word, or double word) addressed by the EA is loaded into **rD**. Note that the PowerPC architecture defines load with update instructions with operand **rA** = 0 or **rA** = **rD** as invalid forms.

**Implementation Notes**—The following notes describe the MPC750 implementation of integer load instructions:

- The PowerPC architecture cautions programmers that some implementations of the architecture may execute the load half algebraic (**lha**, **lhax**) instructions with greater latency than other types of load instructions. This is not the case for the MPC750; these instructions operate with the same latency as other load instructions.
- The PowerPC architecture cautions programmers that some implementations of the architecture may run the load/store byte-reverse (**lbrx**, **lbrx**, **sthbrx**, **stwbrx**) instructions with greater latency than other types of load/store instructions. This is not the case for the MPC750. These instructions operate with the same latency as the other load/store instructions.
- The PowerPC architecture describes some preferred instruction forms for load and store multiple instructions and integer move assist instructions that may perform better than other forms in some implementations. None of these preferred forms affect instruction performance on the MPC750.

- The PowerPC architecture defines the **lwarx** and **stwcx** as a way to update memory atomically. In the MPC750, reservations are made on behalf of aligned 32-byte sections of the memory address space. Executing **lwarx** and **stwcx** to a page marked write-through does not cause a DSI exception if the W bit is set, but as with other memory accesses, DSI exceptions can result for other reasons such as a protection violations or page faults.
- In general, because **stwcx** always causes an external bus transaction it has slightly worse performance characteristics than normal store operations.

Table 2-33 summarizes the integer load instructions.

**Table 2-33. Integer Load Instructions**

Name	Mnemonic	Syntax
Load Byte and Zero	<b>lbz</b>	rD,d(rA)
Load Byte and Zero Indexed	<b>lbzx</b>	rD,rA,rB
Load Byte and Zero with Update	<b>lbzu</b>	rD,d(rA)
Load Byte and Zero with Update Indexed	<b>lbzux</b>	rD,rA,rB
Load Half Word and Zero	<b>lhz</b>	rD,d(rA)
Load Half Word and Zero Indexed	<b>lhzx</b>	rD,rA,rB
Load Half Word and Zero with Update	<b>lhzu</b>	rD,d(rA)
Load Half Word and Zero with Update Indexed	<b>lhzux</b>	rD,rA,rB
Load Half Word Algebraic	<b>lha</b>	rD,d(rA)
Load Half Word Algebraic Indexed	<b>lhax</b>	rD,rA,rB
Load Half Word Algebraic with Update	<b>lhau</b>	rD,d(rA)
Load Half Word Algebraic with Update Indexed	<b>lhaux</b>	rD,rA,rB
Load Word and Zero	<b>lwz</b>	rD,d(rA)
Load Word and Zero Indexed	<b>lwzx</b>	rD,rA,rB
Load Word and Zero with Update	<b>lwzu</b>	rD,d(rA)
Load Word and Zero with Update Indexed	<b>lwzux</b>	rD,rA,rB

#### 2.3.4.3.4 Integer Store Instructions

For integer store instructions, the contents of **rS** are stored into the byte, half word, word or double word in memory addressed by the EA (effective address). Many store instructions have an update form, in which **rA** is updated with the EA. For these forms, the following rules apply:

- If **rA**  $\neq$  0, the effective address is placed into **rA**.
- If **rS** = **rA**, the contents of register **rS** are copied to the target memory element, then the generated EA is placed into **rA** (**rS**).

The PowerPC architecture defines store with update instructions with  $rA = 0$  as an invalid form. In addition, it defines integer store instructions with the CR update option enabled (Rc field, bit 31, in the instruction encoding = 1) to be an invalid form. Table 2-34 summarizes the integer store instructions.

**Table 2-34. Integer Store Instructions**

Name	Mnemonic	Syntax
Store Byte	<b>stb</b>	$rS,d(rA)$
Store Byte Indexed	<b>stbx</b>	$rS,rA,rB$
Store Byte with Update	<b>stbu</b>	$rS,d(rA)$
Store Byte with Update Indexed	<b>stbux</b>	$rS,rA,rB$
Store Half Word	<b>sth</b>	$rS,d(rA)$
Store Half Word Indexed	<b>sthx</b>	$rS,rA,rB$
Store Half Word with Update	<b>sthu</b>	$rS,d(rA)$
Store Half Word with Update Indexed	<b>sthux</b>	$rS,rA,rB$
Store Word	<b>stw</b>	$rS,d(rA)$
Store Word Indexed	<b>stwx</b>	$rS,rA,rB$
Store Word with Update	<b>stwu</b>	$rS,d(rA)$
Store Word with Update Indexed	<b>stwux</b>	$rS,rA,rB$

#### 2.3.4.3.5 Integer Store Gathering

The MPC750 performs store gathering for write-through accesses to nonguarded space or to cache-inhibited stores to nonguarded space if the stores are 4 bytes and they are word-aligned. These stores are combined in the load/store unit (LSU) to form a double word and are sent out on the 60x bus as a single-beat operation. However, stores can be gathered only if the successive stores that meet the criteria are queued and pending. Store gathering takes place regardless of the address order of the stores. The store gathering feature is enabled by setting  $HID0[SGE]$ . Store gathering is done for both big- and little-endian modes.

Store gathering is not done for the following:

- Cacheable stores
- Stores to guarded cache-inhibited or write-through space
- Byte-reverse store
- **stwex** and **ecowx** accesses
- Floating-point stores
- Store operations attempted during a hardware table search

If store gathering is enabled and the stores do not fall under the above categories, an **eiio** or **sync** instruction must be used to prevent two stores from being gathered.

### 2.3.4.3.6 Integer Load and Store with Byte-Reverse Instructions

Table 2-35 describes integer load and store with byte-reverse instructions. When used in a PowerPC system operating with the default big-endian byte order, these instructions have the effect of loading and storing data in little-endian order. Likewise, when used in a PowerPC system operating with little-endian byte order, these instructions have the effect of loading and storing data in big-endian order. For more information about big-endian and little-endian byte ordering, see “Byte Ordering,” in Chapter 3, “Operand Conventions,” in *The Programming Environments Manual*.

**Table 2-35. Integer Load and Store with Byte-Reverse Instructions**

Name	Mnemonic	Syntax
Load Half Word Byte-Reverse Indexed	<b>lhbrx</b>	rD,rA,rB
Load Word Byte-Reverse Indexed	<b>lwbrx</b>	rD,rA,rB
Store Half Word Byte-Reverse Indexed	<b>sthbrx</b>	rS,rA,rB
Store Word Byte-Reverse Indexed	<b>stwbrx</b>	rS,rA,rB

### 2.3.4.3.7 Integer Load and Store Multiple Instructions

The load/store multiple instructions are used to move blocks of data to and from the GPRs. The load multiple and store multiple instructions may have operands that require memory accesses crossing a 4-Kbyte page boundary. As a result, these instructions may be interrupted by a DSI exception associated with the address translation of the second page.

**Implementation Notes**—The following describes the MPC750 implementation of the load/store multiple instruction:

- For load/store string operations, the hardware does not combine register values to reduce the number of discrete accesses. However, if store gathering is enabled and the accesses fall under the criteria for store gathering the stores may be combined to enhance performance. At a minimum, additional cache access cycles are required.
- The MPC750 supports misaligned, single-register load and store accesses in little-endian mode without causing an alignment exception. However, execution of misaligned load/store multiple/string operations causes an alignment exception.

The PowerPC architecture defines the load multiple word (**lmw**) instruction with rA in the range of registers to be loaded as an invalid form.

**Table 2-36. Integer Load and Store Multiple Instructions**

Name	Mnemonic	Syntax
Load Multiple Word	<b>lmw</b>	rD,d(rA)
Store Multiple Word	<b>stmw</b>	rS,d(rA)

### 2.3.4.3.8 Integer Load and Store String Instructions

The integer load and store string instructions allow movement of data from memory to registers or from registers to memory without concern for alignment. These instructions can be used for a short move between arbitrary memory locations or to initiate a long move between misaligned memory fields. However, in some implementations, these instructions are likely to have greater latency and take longer to execute, perhaps much longer, than a sequence of individual load or store instructions that produce the same results. Table 2-37 summarizes the integer load and store string instructions.

In other PowerPC implementations operating with little-endian byte order, execution of a load or string instruction invokes the alignment error handler; see “Byte Ordering,” in *The Programming Environments Manual* for more information.

**Table 2-37. Integer Load and Store String Instructions**

Name	Mnemonic	Syntax
Load String Word Immediate	<b>lswi</b>	rD,rA,NB
Load String Word Indexed	<b>lswx</b>	rD,rA,rB
Store String Word Immediate	<b>stswi</b>	rS,rA,NB
Store String Word Indexed	<b>stswx</b>	rS,rA,rB

Load string and store string instructions may involve operands that are not word-aligned.

As described in Section 4.5.6, “Alignment Exception (0x00600),” a misaligned string operation suffers a performance penalty compared to an aligned operation of the same type. A non-word-aligned string operation that crosses a 4-Kbyte boundary, or a word-aligned string operation that crosses a 256-Mbyte boundary always causes an alignment exception. A non-word-aligned string operation that crosses a double-word boundary is also slower than a word-aligned string operation.

**Implementation Note**—The following describes the MPC750 implementation of load/store string instructions:

- For load/store string operations, the hardware does not combine register values to reduce the number of discrete accesses. However, if store gathering is enabled and the accesses fall under the criteria for store gathering the stores may be combined to enhance performance. At a minimum, additional cache access cycles are required.
- The MPC750 supports misaligned, single-register load and store accesses in little-endian mode without causing an alignment exception. However, execution of misaligned load/store multiple/string operations cause an alignment exception.



### 2.3.4.3.9 Floating-Point Load and Store Address Generation

Floating-point load and store operations generate effective addresses using the register indirect with immediate index addressing mode and register indirect with index addressing mode. Floating-point loads and stores are not supported for direct-store accesses. The use of floating-point loads and stores for direct-store access results in an alignment exception.

There are two forms of the floating-point load instruction—single-precision and double-precision operand formats. Because the FPRs support only the floating-point double-precision format, single-precision floating-point load instructions convert single-precision data to double-precision format before loading an operand into an FPR.

**Implementation Notes**—The MPC750 treats exceptions as follows:

- The FPU can be run in two different modes—ignore exceptions mode (MSR[FE0] = MSR[FE1] = 0) and precise mode (any other settings for MSR[FE0,FE1]). For the MPC750, ignore exceptions mode allows floating-point instructions to complete earlier and thus may provide better performance than precise mode.
- The floating-point load and store indexed instructions (**lfsx**, **lfsux**, **lfdx**, **lfdux**, **stfsx**, **stfsux**, **stfdx**, **stfdux**) are invalid when the Rc bit is one. In the MPC750, executing one of these invalid instruction forms causes CR0 to be set to an undefined value.

The PowerPC architecture defines a load with update instruction with **rA** = 0 as an invalid form. Table 2-38 summarizes the floating-point load instructions.

**Table 2-38. Floating-Point Load Instructions**

Name	Mnemonic	Syntax
Load Floating-Point Single	<b>lfs</b>	frD,d(rA)
Load Floating-Point Single Indexed	<b>lfsx</b>	frD,rA,rB
Load Floating-Point Single with Update	<b>lfsu</b>	frD,d(rA)
Load Floating-Point Single with Update Indexed	<b>lfsux</b>	frD,rA,rB
Load Floating-Point Double	<b>lfd</b>	frD,d(rA)
Load Floating-Point Double Indexed	<b>lfdx</b>	frD,rA,rB
Load Floating-Point Double with Update	<b>lfdu</b>	frD,d(rA)
Load Floating-Point Double with Update Indexed	<b>lfdux</b>	frD,rA,rB

### 2.3.4.3.10 Floating-Point Store Instructions

This section describes floating-point store instructions. There are three basic forms of the store instruction—single-precision, double-precision, and integer. The integer form is supported by the optional **stfiwx** instruction. Because the FPRs support only floating-point, double-precision format for floating-point data, single-precision floating-point store instructions convert double-precision data to single-precision format before storing the operands. Table 2-39 summarizes the floating-point store instructions.

**Table 2-39. Floating-Point Store Instructions**

Name	Mnemonic	Syntax
Store Floating-Point Single	<b>stfs</b>	frS,d(rA)
Store Floating-Point Single Indexed	<b>stfsx</b>	frS,r B
Store Floating-Point Single with Update	<b>stfsu</b>	frS,d(rA)
Store Floating-Point Single with Update Indexed	<b>stfsux</b>	frS,r B
Store Floating-Point Double	<b>stfd</b>	frS,d(rA)
Store Floating-Point Double Indexed	<b>stfdx</b>	frS,rB
Store Floating-Point Double with Update	<b>stfdu</b>	frS,d(rA)
Store Floating-Point Double with Update Indexed	<b>stfdux</b>	frS,r B
Store Floating-Point as Integer Word Indexed <sup>1</sup>	<b>stfiwx</b>	frS,rB

<sup>1</sup>The **stfiwx** instruction is optional to the PowerPC architecture.

Some floating-point store instructions require conversions in the LSU. Table 2-40 shows conversions the LSU makes when executing a Store Floating-Point Single instruction.

**Table 2-40. Store Floating-Point Single Behavior**

FPR Precision	Data Type	Action
Single	Normalized	Store
Single	Denormalized	Store
Single	Zero, infinity, QNaN	Store
Single	SNaN	Store
Double	Normalized	If( $\text{exp} \leq 896$ ) then Denormalize and Store else Store
Double	Denormalized	Store zero
Double	Zero, infinity, QNaN	Store
Double	SNaN	Store

Table 2-41 shows the conversions made when performing a Store Floating-Point Double instruction. Most entries in the table indicate that the floating-point value is simply stored. Only in a few cases are any other actions taken.

**Table 2-41. Store Floating-Point Double Behavior**

FPR Precision	Data Type	Action
Single	Normalized	Store
Single	Denormalized	Normalize and Store
Single	Zero, infinity, QNaN	Store
Single	SNaN	Store
Double	Normalized	Store
Double	Denormalized	Store
Double	Zero, infinity, QNaN	Store
Double	SNaN	Store

Architecturally, all floating-point numbers are represented in double-precision format within the MPC750. Execution of a store floating-point single (**stfs**, **stfsu**, **stfsx**, **stfsux**) instruction requires conversion from double- to single-precision format. If the exponent is not greater than 896, this conversion requires denormalization. The MPC750 supports this denormalization by shifting the mantissa one bit at a time. Anywhere from 1 to 23 clock cycles are required to complete the denormalization, depending upon the value to be stored.

Because of how floating-point numbers are implemented in the MPC750, there is also a case when execution of a store floating-point double (**stfd**, **stfdu**, **stfdx**, **stfdx**) instruction can require internal shifting of the mantissa. This case occurs when the operand of a store floating-point double instruction is a denormalized single-precision value. The value could be the result of a load floating-point single instruction, a single-precision arithmetic instruction, or a floating round to single-precision instruction. In these cases, shifting the mantissa takes from 1 to 23 clock cycles, depending upon the value to be stored. These cycles are incurred during the store.

#### **2.3.4.4 Branch and Flow Control Instructions**

Some branch instructions can redirect instruction execution conditionally based on the value of bits in the CR. When the processor encounters one of these instructions, it scans the execution pipelines to determine whether an instruction in progress may affect the particular CR bit. If no interlock is found, the branch can be resolved immediately by checking the bit in the CR and taking the action defined for the branch instruction.

##### **2.3.4.4.1 Branch Instruction Address Calculation**

Branch instructions can alter the sequence of instruction execution. Instruction addresses are always assumed to be word aligned; the PowerPC processors ignore the two low-order bits of the generated branch target address.

Branch instructions compute the EA of the next instruction address using the following addressing modes:

- Branch relative
- Branch conditional to relative address
- Branch to absolute address
- Branch conditional to absolute address
- Branch conditional to link register
- Branch conditional to count register

Note that in the MPC750, all branch instructions (**b**, **ba**, **bl**, **bla**, **bc**, **bca**, **bcl**, **bcla**, **bclr**, **bclrl**, **bcctr**, **bcctrl**) and condition register logical instructions (**crand**, **cror**, **crxor**, **crnand**, **crnor**, **crandc**, **creqv**, **crorc**, and **mcrf**) are executed by the BPU. Some of these instructions can redirect instruction execution conditionally based on the value of bits in the CR. Whenever the CR bits resolve, the branch direction is either marked as correct or mispredicted. Correcting a mispredicted branch requires that the MPC750 flush speculatively executed instructions and restore the machine state to immediately after the branch. This correction can be done immediately upon resolution of the condition registers bits.

#### 2.3.4.4.2 Branch Instructions

Table 2-42 lists the branch instructions provided by the PowerPC processors. To simplify assembly language programming, a set of simplified mnemonics and symbols is provided for the most frequently used forms of branch conditional, compare, trap, rotate and shift, and certain other instructions. See Appendix F, “Simplified Mnemonics,” in *The Programming Environments Manual* for a list of simplified mnemonic examples.

**Table 2-42. Branch Instructions**

Name	Mnemonic	Syntax
Branch	<b>b</b> ( <b>ba bl bla</b> )	target_addr
Branch Conditional	<b>bc</b> ( <b>bca bcl bcla</b> )	BO,BI,target_addr
Branch Conditional to Link Register	<b>bclr</b> ( <b>bclrl</b> )	BO,BI
Branch Conditional to Count Register	<b>bcctr</b> ( <b>bcctrl</b> )	BO,BI

#### 2.3.4.4.3 Condition Register Logical Instructions

Condition register logical instructions, shown in Table 2-43, and the Move Condition Register Field (**mcrf**) instruction are also defined as flow control instructions.

**Table 2-43. Condition Register Logical Instructions**

Name	Mnemonic	Syntax
Condition Register AND	<b>crand</b>	crbD,crbA,crbB
Condition Register OR	<b>cror</b>	crbD,crbA,crbB

**Table 2-43. Condition Register Logical Instructions (Continued)**

Name	Mnemonic	Syntax
Condition Register XOR	<b>crxor</b>	<b>crbD,crbA,crbB</b>
Condition Register NAND	<b>crnand</b>	<b>crbD,crbA,crbB</b>
Condition Register NOR	<b>crnor</b>	<b>crbD,crbA,crbB</b>
Condition Register Equivalent	<b>creqv</b>	<b>crbD,crbA, crbB</b>
Condition Register AND with Complement	<b>crandc</b>	<b>crbD,crbA, crbB</b>
Condition Register OR with Complement	<b>crorc</b>	<b>crbD,crbA, crbB</b>
Move Condition Register Field	<b>mcrf</b>	<b>crfD,crfS</b>

Note that if the LR update option is enabled for any of these instructions, the PowerPC architecture defines these forms of the instructions as invalid.

#### 2.3.4.4.4 Trap Instructions

The trap instructions shown in Table 2-44 are provided to test for a specified set of conditions. If any of the conditions tested by a trap instruction are met, the system trap type program exception is taken. For more information, see Section 4.5.7, “Program Exception (0x00700).” If the tested conditions are not met, instruction execution continues normally.

**Table 2-44. Trap Instructions**

Name	Mnemonic	Syntax
Trap Word Immediate	<b>twi</b>	<b>TO,rA,SIMM</b>
Trap Word	<b>tw</b>	<b>TO,rA,rB</b>

See Appendix F, “Simplified Mnemonics,” in *The Programming Environments Manual* for a complete set of simplified mnemonics.

#### 2.3.4.5 System Linkage Instruction—UISA

The System Call (**sc**) instruction permits a program to call on the system to perform a service; see Table 2-45. See also Section 2.3.6.1, “System Linkage Instructions—OEA,” for additional information.

**Table 2-45. System Linkage Instruction—UISA**

Name	Mnemonic	Syntax
System Call	<b>sc</b>	—

Executing this instruction causes the system call exception handler to be evoked. For more information, see Section 4.5.10, “System Call Exception (0x00C00).”

### 2.3.4.6 Processor Control Instructions—UISA

Processor control instructions are used to read from and write to the condition register (CR), machine state register (MSR), and special-purpose registers (SPRs). See Section 2.3.5.1, “Processor Control Instructions—VEA,” for the **mftb** instruction and Section 2.3.6.2, “Processor Control Instructions—OEA,” for information about the instructions used for reading from and writing to the MSR and SPRs.

#### 2.3.4.6.1 Move to/from Condition Register Instructions

Table 2-46 summarizes the instructions for reading from or writing to the condition register.

**Table 2-46. Move to/from Condition Register Instructions**

Name	Mnemonic	Syntax
Move to Condition Register Fields	<b>mtrcf</b>	CRM,rS
Move to Condition Register from XER	<b>mcrxr</b>	crfD
Move from Condition Register	<b>mfcr</b>	rD

**Implementation Note**—The PowerPC architecture indicates that in some implementations the Move to Condition Register Fields (**mtrcf**) instruction may perform more slowly when only a portion of the fields are updated as opposed to all of the fields. The condition register access latency for the MPC750 is the same in both cases.

#### 2.3.4.6.2 Move to/from Special-Purpose Register Instructions (UISA)

Table 2-47 lists the **mtspr** and **mfspr** instructions.

**Table 2-47. Move to/from Special-Purpose Register Instructions (UISA)**

Name	Mnemonic	Syntax
Move to Special-Purpose Register	<b>mtspr</b>	SPR,rS
Move from Special-Purpose Register	<b>mfspr</b>	rD,SPR

Table 2-48 lists the SPR numbers for both user- and supervisor-level accesses.

**Table 2-48. PowerPC Encodings**

Register Name	SPR <sup>1</sup>			Access	mfspr/mtspr
	Decimal	spr[5–9]	spr[0–4]		
CTR	9	00000	01001	User (UISA)	Both
DABR	1013	11111	10101	Supervisor (OEA)	Both
DAR	19	00000	10011	Supervisor (OEA)	Both
DBAT0L	537	10000	11001	Supervisor (OEA)	Both
DBAT0U	536	10000	11000	Supervisor (OEA)	Both
DBAT1L	539	10000	11011	Supervisor (OEA)	Both

**Table 2-48. PowerPC Encodings (Continued)**

Register Name	SPR <sup>1</sup>			Access	mfspr/mtspr
	Decimal	spr[5–9]	spr[0–4]		
DBAT1U	538	10000	11010	Supervisor (OEA)	Both
DBAT2L	541	10000	11101	Supervisor (OEA)	Both
DBAT2U	540	10000	11100	Supervisor (OEA)	Both
DBAT3L	543	10000	11111	Supervisor (OEA)	Both
DBAT3U	542	10000	11110	Supervisor (OEA)	Both
DEC	22	00000	10110	Supervisor (OEA)	Both
DSISR	18	00000	10010	Supervisor (OEA)	Both
EAR	282	01000	11010	Supervisor (OEA)	Both
IBAT0L	529	10000	10001	Supervisor (OEA)	Both
IBAT0U	528	10000	10000	Supervisor (OEA)	Both
IBAT1L	531	10000	10011	Supervisor (OEA)	Both
IBAT1U	530	10000	10010	Supervisor (OEA)	Both
IBAT2L	533	10000	10101	Supervisor (OEA)	Both
IBAT2U	532	10000	10100	Supervisor (OEA)	Both
IBAT3L	535	10000	10111	Supervisor (OEA)	Both
IBAT3U	534	10000	10110	Supervisor (OEA)	Both
LR	8	00000	01000	User (UISA)	Both
PVR	287	01000	11111	Supervisor (OEA)	<b>mfspr</b>
SDR1	25	00000	11001	Supervisor (OEA)	Both
SPRG0	272	01000	10000	Supervisor (OEA)	Both
SPRG1	273	01000	10001	Supervisor (OEA)	Both
SPRG2	274	01000	10010	Supervisor (OEA)	Both
SPRG3	275	01000	10011	Supervisor (OEA)	Both
SRR0	26	00000	11010	Supervisor (OEA)	Both
SRR1	27	00000	11011	Supervisor (OEA)	Both
TBL <sup>2</sup>	268	01000	01100	Supervisor (OEA)	<b>mtspr</b>
	284	01000	11100	Supervisor (OEA)	<b>mtspr</b>
TBU <sup>2</sup>	269	01000	01101	Supervisor (OEA)	<b>mtspr</b>
	285	01000	11101	Supervisor (OEA)	<b>mtspr</b>

**Table 2-48. PowerPC Encodings (Continued)**

Register Name	SPR <sup>1</sup>			Access	mfspr/mtspr
	Decimal	spr[5–9]	spr[0–4]		
XER	1	00000	00001	User (UISA)	Both

**Notes:**

<sup>1</sup> The order of the two 5-bit halves of the SPR number is reversed compared with actual instruction coding. For **mtspr** and **mfspr** instructions, the SPR number coded in assembly language does not appear directly as a 10-bit binary number in the instruction. The number coded is split into two 5-bit halves that are reversed in the instruction, with the high-order five bits appearing in bits 16–20 of the instruction and the low-order five bits in bits 11–15.

<sup>2</sup> The TB registers are referred to as TBRs rather than SPRs and can be written to using the **mtspr** instruction in supervisor mode and the TBR numbers here. The TB registers can be read in user mode using either the **mtfb** or **mtspr** instruction and specifying TBR 268 for TBL and SPR 269 for TBU.

Encodings for the MPC750-specific SPRs are listed in Table 2-49.

**Table 2-49 SPR Encodings for MPC750-Defined Registers (mfspr)**

Register Name	SPR <sup>1</sup>			Access	mfspr/mtspr
	Decimal	spr[5–9]	spr[0–4]		
DABR	1013	11111	10101	User	Both
HID0	1008	11111	10000	Supervisor	Both
HID1	1009	11111	10001	Supervisor	Both
IABR	1010	11111	10010	Supervisor	Both
ICTC	1019	11111	11011	Supervisor	Both
L2CR	1017	11111	11001	Supervisor	Both
MMCR0	952	11101	11000	Supervisor	Both
MMCR1	956	11101	11100	Supervisor	Both
PMC1	953	11101	11001	Supervisor	Both
PMC2	954	11101	11010	Supervisor	Both
PMC3	957	11101	11101	Supervisor	Both
PMC4	958	11101	11110	Supervisor	Both
SIA	955	11101	11011	Supervisor	Both
THRM1	1020	11111	11100	Supervisor	Both
THRM2	1021	11111	11101	Supervisor	Both
THRM3	1022	11111	11110	Supervisor	Both
UMMCR0	936	11101	01000	User	<b>mfspr</b>



**Table 2-49 SPR Encodings for MPC750-Defined Registers (mfspr) (Continued)**

Register Name	SPR <sup>1</sup>			Access	mfspr/mtspr
	Decimal	spr[5–9]	spr[0–4]		
UMMCR1	940	11101	01100	User	mfspr
UPMC1	937	11101	01001	User	mfspr
UPMC2	938	11101	01010	User	mfspr
UPMC3	941	11101	01101	User	mfspr
UPMC4	942	11101	01110	User	mfspr
USIA	939	11101	01011	User	mfspr

**Note:**

<sup>1</sup>Note that the order of the two 5-bit halves of the SPR number is reversed compared with actual instruction coding.

For **mtspr** and **mfspr** instructions, the SPR number coded in assembly language does not appear directly as a 10-bit binary number in the instruction. The number coded is split into two 5-bit halves that are reversed in the instruction, with the high-order 5 bits appearing in bits 16–20 of the instruction and the low-order 5 bits in bits 11–15.

### 2.3.4.7 Memory Synchronization Instructions—UISA

Memory synchronization instructions control the order in which memory operations are completed with respect to asynchronous events, and the order in which memory operations are seen by other processors or memory access mechanisms. See Chapter 3, “L1 Instruction and Data Cache Operation,” for additional information about these instructions and about related aspects of memory synchronization. See Table 2-50 for a summary.

**Table 2-50. Memory Synchronization Instructions—UISA**

Name	Mnemonic	Syntax	Implementation Notes
Load Word and Reserve Indexed	<b>lwarx</b>	rD,rA,rB	<p>Programmers can use <b>lwarx</b> with <b>stwcx.</b> to emulate common semaphore operations such as test and set, compare and swap, exchange memory, and fetch and add. Both instructions must use the same EA. Reservation granularity is implementation-dependent. The MPC750 makes reservations on behalf of aligned 32-byte sections of the memory address space. If the W bit is set, executing <b>lwarx</b> and <b>stwcx.</b> to a page marked write-through does not cause a DSI exception, but DSI exceptions can result for other reasons. If the location is not word-aligned, an alignment exception occurs.</p> <p>The <b>stwcx.</b> instruction is the only load/store instruction with a valid form if Rc is set. If Rc is zero, executing <b>stwcx.</b> sets CR0 to an undefined value. In general, <b>stwcx.</b> always causes a transaction on the external bus and thus operates with slightly worse performance characteristics than normal store operations.</p>
Store Word Conditional Indexed	<b>stwcx.</b>	rS,rA,rB	

**Table 2-50. Memory Synchronization Instructions—UISA (Continued)**

Name	Mnemonic	Syntax	Implementation Notes
Synchronize	<b>sync</b>	—	Because it delays subsequent instructions until all previous instructions complete to where they cannot cause an exception, <b>sync</b> is a barrier against store gathering. Additionally, all load/store cache/bus activities initiated by prior instructions are completed. Touch load operations ( <b>dcbt</b> , <b>dcbtst</b> ) must complete address translation, but need not complete on the bus. If HIO[ABE] = 1, <b>sync</b> completes after a successful broadcast. The latency of <b>sync</b> depends on the processor state when it is dispatched and on various system-level situations. Therefore, frequent use of <b>sync</b> may degrade performance.

System designs with an L2 cache should take special care to recognize the hardware signaling caused by a SYNC bus operation and perform the appropriate actions to guarantee that memory references that may be queued internally to the L2 cache have been performed globally.

See 2.3.5.2, “Memory Synchronization Instructions—VEA,” for details about additional memory synchronization (**ieio** and **isync**) instructions.

In the PowerPC architecture, the Rc bit must be zero for most load and store instructions. If Rc is set, the instruction form is invalid for **sync** and **lwarx** instructions. If the MPC750 encounters one of these invalid instruction forms, it sets CR0 to an undefined value.

### 2.3.5 PowerPC VEA Instructions

The PowerPC virtual environment architecture (VEA) describes the semantics of the memory model that can be assumed by software processes, and includes descriptions of the cache model, cache control instructions, address aliasing, and other related issues. Implementations that conform to the VEA also adhere to the UISA, but may not necessarily adhere to the OEA.

This section describes additional instructions that are provided by the VEA.

#### 2.3.5.1 Processor Control Instructions—VEA

In addition to the move to condition register instructions (specified by the UISA), the VEA defines the **mftb** instruction (user-level instruction) for reading the contents of the time base register; see Chapter 3, “L1 Instruction and Data Cache Operation,” for more information. Table 2-51 shows the **mftb** instruction.

**Table 2-51. Move from Time Base Instruction**

Name	Mnemonic	Syntax
Move from Time Base	<b>mftb</b>	rD, TBR

Simplified mnemonics are provided for the **mftb** instruction so it can be coded with the TBR name as part of the mnemonic rather than requiring it to be coded as an operand. See Appendix F, “Simplified Mnemonics,” in *The Programming Environments Manual* for simplified mnemonic examples and for simplified mnemonics for Move from Time Base (**mftb**) and Move from Time Base Upper (**mftbu**), which are variants of the **mftb** instruction rather than of **mfspr**. The **mftb** instruction serves as both a basic and simplified mnemonic. Assemblers recognize an **mftb** mnemonic with two operands as the basic form, and an **mftb** mnemonic with one operand as the simplified form. Note that the MPC750 ignores the extended opcode differences between **mftb** and **mfspr** by ignoring bit 25 and treating both instructions identically.

**Implementation Notes**—The following information is useful with respect to using the time base implementation in the MPC750:

- The MPC750 allows user-mode read access to the time base counter through the use of the Move from Time Base (**mftb**) and the Move from Time Base Upper (**mftbu**) instructions. As a 32-bit PowerPC implementation, the MPC750 can access TBU and TBL only separately, whereas 64-bit implementations can access the entire TB register at once.
- The time base counter is clocked at a frequency that is one-fourth that of the bus clock. Counting is enabled by assertion of the time base enable ( $\overline{\text{TBE}}$ ) input signal.

### 2.3.5.2 Memory Synchronization Instructions—VEA

Memory synchronization instructions control the order in which memory operations are completed with respect to asynchronous events, and the order in which memory operations are seen by other processors or memory access mechanisms. See Chapter 3, “L1 Instruction and Data Cache Operation,” for more information about these instructions and about related aspects of memory synchronization.

In addition to the **sync** instruction (specified by UISA), the VEA defines the Enforce In-Order Execution of I/O (**eiio**) and Instruction Synchronize (**isync**) instructions. The number of cycles required to complete an **eiio** instruction depends on system parameters and on the processor's state when the instruction is issued. As a result, frequent use of this instruction may degrade performance slightly.

Table 2-52 describes the memory synchronization instructions defined by the VEA.

**Table 2-52. Memory Synchronization Instructions—VEA**

Name	Mnemonic	Syntax	Implementation Notes
Enforce In-Order Execution of I/O	<b>eieio</b>	—	The <b>eieio</b> instruction is dispatched to the LSU and executes after all previous cache-inhibited or write-through accesses are performed; all subsequent instructions that generate such accesses execute after <b>eieio</b> . If $HID0[ABE] = 1$ an EIEIO operation is broadcast on the external bus to enforce ordering in the external memory system. The <b>eieio</b> operation bypasses the L2 cache and is forwarded to the bus unit. If $HID0[ABE] = 0$ , the operation is not broadcast. Because the MPC750 does not reorder noncacheable accesses, <b>eieio</b> is not needed to force ordering. However, if store gathering is enabled and an <b>eieio</b> is detected in a store queue, stores are not gathered. If $HID0[ABE] = 1$ , broadcasting <b>eieio</b> prevents external devices, such as a bus bridge chip, from gathering stores.
Instruction Synchronize	<b>isync</b>	—	The <b>isync</b> instruction is refetch serializing; that is, it causes the MPC750 to purge its instruction queue and wait for all prior instructions to complete before refetching the next instruction, which is not executed until all previous instructions complete to the point where they cannot cause an exception. The <b>isync</b> instruction does not wait for all pending stores in the store queue to complete. Any instruction after an <b>isync</b> sees all effects of prior instructions.

### 2.3.5.3 Memory Control Instructions—VEA

Memory control instructions can be classified as follows:

- Cache management instructions (user-level and supervisor-level)
- Segment register manipulation instructions (OEA)
- Translation lookaside buffer management instructions (OEA)

This section describes the user-level cache management instructions defined by the VEA. See Section 2.3.6.3, “Memory Control Instructions—OEA,” for information about supervisor-level cache, segment register manipulation, and translation lookaside buffer management instructions.

#### 2.3.5.3.1 User-Level Cache Instructions—VEA

The instructions summarized in this section help user-level programs manage on-chip caches if they are implemented. See Chapter 3, “L1 Instruction and Data Cache Operation,” for more information about cache topics. The following sections describe how these operations are treated with respect to the MPC750’s cache.

As with other memory-related instructions, the effects of cache management instructions on memory are weakly-ordered. If the programmer must ensure that cache or other instructions have been performed with respect to all other processors and system mechanisms, a **sync** instruction must be placed after those instructions.

Note that the MPC750 interprets cache control instructions (**icbi**, **dcbi**, **dcbf**, **dcbz**, and **dcbst**) as if they pertain only to the local L1 and L2 cache. A **dcbz** (with M set) is always broadcast on the 60x bus. The **dcbi**, **dcbf**, and **dcbst** operations are broadcast if  $HID0[ABE]$  is set.

The MPC750 never broadcasts an **icbi**. Of the broadcast cache operations, the MPC750 snoops only **dcbz**, regardless of the HID0[ABE] setting. Any bus activity caused by other cache instructions results directly from performing the operation on the MPC750 cache. All cache control instructions to T = 1 space are no-ops. For information how cache control instructions affect the L2, see Chapter 9, “L2 Cache Interface Operation.”

Table 2-53 summarizes the cache instructions defined by the VEA. Note that these instructions are accessible to user-level programs.

**Table 2-53. User-Level Cache Instructions**

Name	Mnemonic	Syntax	Implementation Notes
Data Cache Block Touch <sup>1</sup>	<b>dcbt</b>	rA,rB	The VEA defines this instruction to allow for potential system performance enhancements through the use of software-initiated prefetch hints. Implementations are not required to take any action based on execution of this instruction, but they may prefetch the cache block corresponding to the EA into their cache. When <b>dcbt</b> executes, the MPC750 checks for protection violations (as for a load instruction). This instruction is treated as a no-op for the following cases: <ul style="list-style-type: none"> <li>• A valid translation is not found either in BAT or TLB</li> <li>• The access causes a protection violation.</li> <li>• The page is mapped cache-inhibited, G = 1 (guarded), or T = 1.</li> <li>• The cache is locked or disabled</li> <li>• HID0[NOOPTI] = 1</li> </ul> Otherwise, if no data is in the cache location, the MPC750 requests a cache line fill (with intent to modify). Data brought into the cache is validated as if it were a load instruction. The memory reference of a <b>dcbt</b> sets the reference bit.
Data Cache Block Touch for Store <sup>1</sup>	<b>dcbtst</b>	rA,rB	This instruction behaves like <b>dcbt</b> .
Data Cache Block Set to Zero	<b>dcbz</b>	rA,rB	The EA is computed, translated, and checked for protection violations. For cache hits, four beats of zeros are written to the cache block and the tag is marked M. For cache misses with the replacement block marked E, the zero line fill is performed and the cache block is marked M. However, if the replacement block is marked M, the contents are written back to memory first. The instruction executes regardless of whether the cache is locked; if the cache is disabled, an alignment exception occurs. If M = 1 (coherency enforced), the address is broadcast to the bus before the zero line fill. The exception priorities (from highest to lowest) are as follows: <ol style="list-style-type: none"> <li>1 Cache disabled—Alignment exception</li> <li>2 Page marked write-through or cache Inhibited—Alignment exception</li> <li>3 BAT protection violation—DSI exception</li> <li>4 TLB protection violation—DSI exception</li> </ol> <b>dcbz</b> is the only cache instruction that broadcasts even if HID0[ABE] = 0.

**Table 2-53. User-Level Cache Instructions (Continued)**

Name	Mnemonic	Syntax	Implementation Notes
Data Cache Block Store	<b>dcbst</b>	rA,rB	<p>The EA is computed, translated, and checked for protection violations.</p> <ul style="list-style-type: none"> <li>For cache hits with the tag marked E, no further action is taken.</li> <li>For cache hits with the tag marked M, the cache block is written back to memory and marked E.</li> </ul> <p>A <b>dcbst</b> is not broadcast unless <math>HID0[ABE] = 1</math> regardless of WIMG settings. The instruction acts like a load with respect to address translation and memory protection. It executes regardless of whether the cache is disabled or locked.</p> <p>The exception priorities (from highest to lowest) for <b>dcbst</b> are as follows:</p> <ol style="list-style-type: none"> <li>BAT protection violation—DSI exception</li> <li>TLB protection violation—DSI exception</li> </ol>
Data Cache Block Flush	<b>dcbf</b>	rA,rB	<p>The EA is computed, translated, and checked for protection violations.</p> <ul style="list-style-type: none"> <li>For cache hits with the tag marked M, the cache block is written back to memory and the cache entry is invalidated.</li> <li>For cache hits with the tag marked E, the entry is invalidated.</li> <li>For cache misses, no further action is taken.</li> </ul> <p>A <b>dcbf</b> is not broadcast unless <math>HID0[ABE] = 1</math> regardless of WIMG settings. The instruction acts like a load with respect to address translation and memory protection. It executes regardless of whether the cache is disabled or locked.</p> <p>The exception priorities (from highest to lowest) for <b>dcbf</b> are as follows:</p> <ol style="list-style-type: none"> <li>BAT protection violation—DSI exception</li> <li>TLB protection violation—DSI exception</li> </ol>
Instruction Cache Block Invalidate	<b>icbi</b>	rA,rB	<p>This instruction performs a virtual lookup into the instruction cache (index only). The address is not translated, so it cannot cause an exception. All ways of a selected set are invalidated regardless of whether the cache is disabled or locked. The MPC750 never broadcasts <b>icbi</b> onto the 60x bus.</p>

**Note:**

<sup>1</sup> A program that uses **dcbt** and **dcbtst** instructions improperly performs less efficiently. To improve performance,  $HID0[NOOPTI]$  may be set, which causes **dcbt** and **dcbtst** to be no-oped at the cache. They do not cause bus activity and cause only a 1-clock execution latency. The default state of this bit is zero which enables the use of these instructions.

### 2.3.5.4 Optional External Control Instructions

The PowerPC architecture defines an optional external control feature that, if implemented, is supported by the two external control instructions, **eciwx** and **ecowx**. These instructions allow a user-level program to communicate with a special-purpose device. These instructions are provided and are summarized in Table 2-54.

**Table 2-54. External Control Instructions**

Name	Mnemonic	Syntax	Implementation Notes
External Control In Word Indexed	<b>eciwx</b>	rD,rA,rB	<p>A transfer size of 4 bytes is implied; the <math>\overline{TBST}</math> and <math>TSIZ[0-2]</math> signals are redefined to specify the Resource ID (RID), copied from bits <math>EAR[28-31]</math>. For these operations, <math>\overline{TBST}</math> carries the <math>EAR[28]</math> data. Misaligned operands for these instructions cause an alignment exception. Addressing a location where <math>SR[T] = 1</math> causes a DSI exception. If <math>MSR[DR] = 0</math> a programming error occurs and the physical address on the bus is undefined.</p> <p><b>Note:</b> These instructions are optional to the PowerPC architecture.</p>
External Control Out Word Indexed	<b>ecowx</b>	rS,rA,rB	

The **eciwx/ecowx** instructions let a system designer map special devices in an alternative way. The MMU translation of the EA is not used to select the special device, as it is used in most instructions such as loads and stores. Rather, it is used as an address operand that is passed to the device over the address bus. Four other signals (the burst and size signals on the 60x bus) are used to select the device; these four signals output the 4-bit resource ID (RID) field located in the EAR. The **eciwx** instruction also loads a word from the data bus that is output by the special device. For more information about the relationship between these instructions and the system interface, refer to Chapter 7, “Signal Descriptions.”

### 2.3.6 PowerPC OEA Instructions

The PowerPC operating environment architecture (OEA) includes the structure of the memory management model, supervisor-level registers, and the exception model. Implementations that conform to the OEA also adhere to the UISA and the VEA. This section describes the instructions provided by the OEA.

#### 2.3.6.1 System Linkage Instructions—OEA

This section describes the system linkage instructions (see Table 2-55). The user-level **sc** instruction lets a user program call on the system to perform a service and causes the processor to take a system call exception. The supervisor-level **rfi** instruction is used for returning from an exception handler.

**Table 2-55. System Linkage Instructions—OEA**

Name	Mnemonic	Syntax	Implementation Notes
System Call	<b>sc</b>	—	The <b>sc</b> instruction is context-synchronizing.
Return from Interrupt	<b>rfi</b>	—	The <b>rfi</b> instruction is context-synchronizing. For the MPC750, this means the <b>rfi</b> instruction works its way to the final stage of the execution pipeline, updates architected registers, and redirects the instruction flow.

#### 2.3.6.2 Processor Control Instructions—OEA

This section describes the processor control instructions used to access the MSR and the SPRs. Table 2-56 lists instructions for accessing the MSR.

**Table 2-56. Move to/from Machine State Register Instructions**

Name	Mnemonic	Syntax
Move to Machine State Register	<b>mtmsr</b>	rS
Move from Machine State Register	<b>mfmsr</b>	rD

The OEA defines encodings of **mtspr** and **mfspir** to provide access to supervisor-level registers. The instructions are listed in Table 2-57.

**Table 2-57. Move to/from Special-Purpose Register Instructions (OEA)**

Name	Mnemonic	Syntax
Move to Special-Purpose Register	<b>mtspr</b>	SPR,rS
Move from Special-Purpose Register	<b>mfspir</b>	rD,SPR

Encodings for the architecture-defined SPRs are listed in Table 2-48. Encodings for MPC750-specific, supervisor-level SPRs are listed in Table 2-49. Simplified mnemonics are provided for **mtspr** and **mfspir** in Appendix F, “Simplified Mnemonics,” in *The Programming Environments Manual*. For a discussion of context synchronization requirements when altering certain SPRs, refer to Appendix E, “Synchronization Programming Examples,” in *The Programming Environments Manual*.

### 2.3.6.3 Memory Control Instructions—OEA

Memory control instructions include the following:

- Cache management instructions (supervisor-level and user-level)
- Segment register manipulation instructions
- Translation lookaside buffer management instructions

This section describes supervisor-level memory control instructions. Section 2.3.5.3, “Memory Control Instructions—VEA,” describes user-level memory control instructions.

#### 2.3.6.3.1 Supervisor-Level Cache Management Instruction—(OEA)

Table 2-58 lists the only supervisor-level cache management instruction.

**Table 2-58. Supervisor-Level Cache Management Instruction**

Name	Mnemonic	Syntax	Implementation Notes
Data Cache Block Invalidate	<b>dcbi</b>	rA,rB	The EA is computed, translated, and checked for protection violations. For cache hits, the cache block is marked I regardless of whether it was marked E or M. A <b>dcbi</b> is not broadcast unless HIDE[ABE] = 1, regardless of WIMG settings. The instruction acts like a store with respect to address translation and memory protection. It executes regardless of whether the cache is disabled or locked. The exception priorities (from highest to lowest) for <b>dcbi</b> are as follows: 1 BAT protection violation—DSI exception 2 TLB protection violation—DSI exception

See Section 2.3.5.3.1, “User-Level Cache Instructions—VEA,” for cache instructions that provide user-level programs the ability to manage the on-chip caches. If the effective address references a direct-store segment, the instruction is treated as a no-op.



### 2.3.6.3.2 Segment Register Manipulation Instructions (OEA)

The instructions listed in Table 2-59 provide access to the segment registers for 32-bit implementations. These instructions operate completely independently of the MSR[IR] and MSR[DR] bit settings. Refer to “Synchronization Requirements for Special Registers and for Lookaside Buffers,” in Chapter 2, “PowerPC Register Set,” of *The Programming Environments Manual* for serialization requirements and other recommended precautions to observe when manipulating the segment registers.

**Table 2-59. Segment Register Manipulation Instructions**

Name	Mnemonic	Syntax	Implementation Notes
Move to Segment Register	<b>mtsr</b>	SR,rS	—
Move to Segment Register Indirect	<b>mtsrin</b>	rS,rB	—
Move from Segment Register	<b>mfsr</b>	rD,SR	The shadow SRs in the instruction MMU can be read by setting HIDO[RISEG] before executing <b>mfsr</b> .
Move from Segment Register Indirect	<b>mfsrin</b>	rD,rB	—

### 2.3.6.3.3 Translation Lookaside Buffer Management Instructions—(OEA)

The address translation mechanism is defined in terms of the segment descriptors and page table entries (PTEs) PowerPC processors use to locate the logical-to-physical address mapping for a particular access. These segment descriptors and PTEs reside in segment registers and page tables in memory, respectively.

See Chapter 7, “Memory Management,” for more information about TLB operations. Table 2-60 summarizes the operation of the TLB instructions in the MPC750.

**Table 2-60. Translation Lookaside Buffer Management Instruction**

Name	Mnemonic	Syntax	Implementation Notes
TLB Invalidate Entry	<b>tlbie</b>	rB	Invalidates both ways in both instruction and data TLB entries at the index provided by EA[14–19]. It executes regardless of the MSR[DR] and MSR[IR] settings. To invalidate all entries in both TLBs, the programmer should issue 64 <b>tlbie</b> instructions that each successively increment this field.
TLB Synchronize	<b>tlbsync</b>	—	On the MPC750, the only function <b>tlbsync</b> serves is to wait for the TLBISYNC signal to go inactive.

**Implementation Note**—The **tlbia** instruction is optional for an implementation if its effects can be achieved through some other mechanism. Therefore, it is not implemented on the MPC750. As described above, **tlbie** can be used to invalidate a particular index of the TLB based on EA[14–19]—a sequence of 64 **tlbie** instructions followed by a **tlbsync** instruction invalidates all the TLB structures (for EA[14–19] = 0, 1, 2, ..., 63). Attempting to execute **tlbia** causes an illegal instruction program exception.

The presence and exact semantics of the TLB management instructions are implementation-dependent. To minimize compatibility problems, system software should incorporate uses of these instructions into subroutines.

### **2.3.7 Recommended Simplified Mnemonics**

To simplify assembly language coding, a set of alternative mnemonics is provided for some frequently used operations (such as no-op, load immediate, load address, move register, and complement register). Programs written to be portable across the various assemblers for the PowerPC architecture should not assume the existence of mnemonics not described in this document.

For a complete list of simplified mnemonics, see Appendix F, “Simplified Mnemonics,” in *The Programming Environments Manual*.

# Chapter 3

## L1 Instruction and Data Cache Operation

The MPC750 microprocessor contains separate 32-Kbyte, eight-way set associative instruction and data caches to allow the execution units and registers rapid access to instructions and data. This chapter describes the organization of the on-chip instruction and data caches, the MEI cache coherency protocol, cache control instructions, various cache operations, and the interaction between the caches, the load/store unit (LSU), the instruction unit, and the bus interface unit (BIU).

Note that in this chapter, the term ‘multiprocessor’ is used in the context of maintaining cache coherency. These multiprocessor devices could be actual processors or other devices that can access system memory, maintain their own caches, and function as bus masters requiring cache coherency.

The MPC750 cache implementation has the following characteristics:

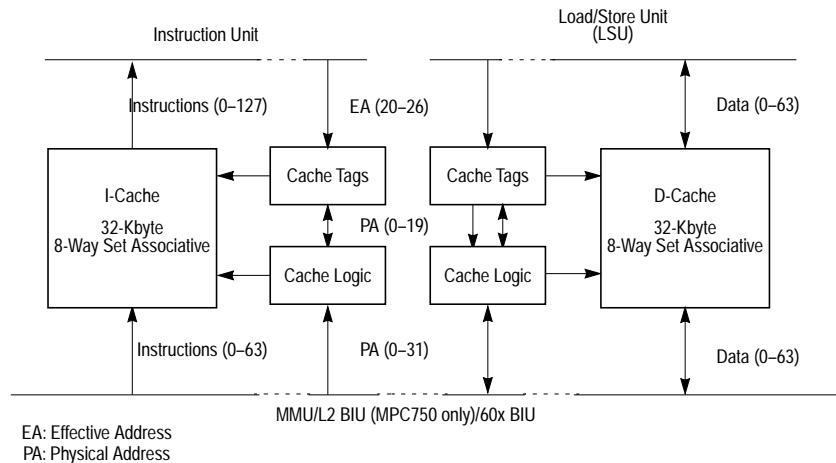
- There are two separate 32-Kbyte instruction and data caches (Harvard architecture).
- Both instruction and data caches are eight-way set associative.
- The caches implement a pseudo least-recently-used (PLRU) replacement algorithm within each set.
- The cache directories are physically addressed. The physical (real) address tag is stored in the cache directory.
- Both the instruction and data caches have 32-byte cache blocks. A cache block is the block of memory that a coherency state describes, also referred to as a cache line.
- Two coherency state bits for each data cache block allow encoding for three states:
  - Modified (Exclusive) (M)
  - Exclusive (Unmodified) (E)
  - Invalid (I)
- A single coherency state bit for each instruction cache block allows encoding for two possible states:
  - Invalid (INV)
  - Valid (VAL)

- Each cache can be invalidated or locked by setting the appropriate bits in the hardware implementation-dependent register 0 (HID0), a special-purpose register (SPR) specific to the MPC750.

The MPC750 supports a fully-coherent 4-Gbyte physical memory address space. Bus snooping is used to drive the MEI three-state cache coherency protocol that ensures the coherency of global memory with respect to the processor’s data cache. The MEI protocol is described in Section 3.3.2, “MEI Protocol.”

On a cache miss, the MPC750’s cache blocks are filled in four beats of 64 bits each. The burst fill is performed as a critical-double-word-first operation; the critical double word is simultaneously written to the cache and forwarded to the requesting unit, thus minimizing stalls due to cache fill latency.

The instruction and data caches are integrated into the MPC750 as shown in Figure 3-1.



**Figure 3-1. Cache Integration**

Both caches are tightly coupled to the MPC750’s bus interface unit to allow efficient access to the system memory controller and other bus masters. The bus interface unit receives requests for bus operations from the instruction and data caches, and executes the operations per the 60x bus protocol. The BIU provides address queues, prioritizing logic, and bus control logic. The BIU captures snoop addresses for data cache, address queue, and memory reservation (**lwarx** and **stwcx**, instruction) operations.

The data cache provides buffers for load and store bus operations. All the data for the corresponding address queues (load and store data queues) is located in the data cache. The data queues are considered temporary storage for the cache and not part of the BIU. The data cache also provides storage for the cache tags required for memory coherency and performs the cache block replacement PLRU function.

The data cache supplies data to the GPRs and FPRs by means of the load/store unit. The MPC750's LSU is directly coupled to the data cache to allow efficient movement of data to and from the general-purpose and floating-point registers. The load/store unit provides all logic required to calculate effective addresses, handles data alignment to and from the data cache, and provides sequencing for load and store string and multiple operations. Write operations to the data cache can be performed on a byte, half-word, word, or double-word basis.

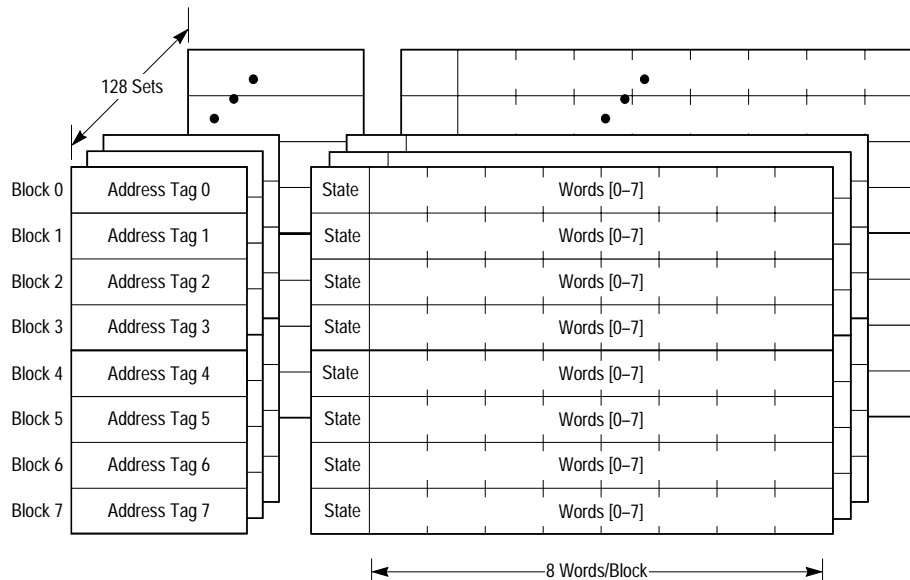
The instruction cache provides a 128-bit interface to the instruction unit, so four instructions can be made available to the instruction unit in a single clock cycle. The instruction unit accesses the instruction cache frequently in order to sustain the high throughput provided by the six-entry instruction queue.

### 3.1 Data Cache Organization

The data cache is organized as 128 sets of eight blocks as shown in Figure 3-2. Each block consists of 32 bytes, two state bits, and an address tag. Note that in the PowerPC architecture, the term 'cache block,' or simply 'block,' when used in the context of cache implementations, refers to the unit of memory at which coherency is maintained. For the MPC750, this is the eight-word cache line. This value may be different for other PowerPC implementations.

Each cache block contains eight contiguous words from memory that are loaded from an eight-word boundary (that is, bits A[27–31] of the logical (effective) addresses are zero); as a result, cache blocks are aligned with page boundaries. Note that address bits A[20–26] provide the index to select a cache set. Bits A[27–31] select a byte within a block. The two state bits implement a three-state MEI (modified/exclusive/invalid) protocol, a coherent subset of the standard four-state MESI (modified/exclusive/shared/invalid) protocol. The MEI protocol is described in Section 3.3.2, "MEI Protocol." The tags consist of bits PA[0–19]. Address translation occurs in parallel with set selection (from A[20–26]), and the higher-order address bits (the tag bits in the cache) are physical.

The MPC750's on-chip data cache tags are single-ported, and load or store operations must be arbitrated with snoop accesses to the data cache tags. Load or store operations can be performed to the cache on the clock cycle immediately following a snoop access if the snoop misses; snoop hits may block the data cache for two or more cycles, depending on whether a copy-back to main memory is required.



**Figure 3-2. Data Cache Organization**

## 3.2 Instruction Cache Organization

The instruction cache also consists of 128 sets of eight blocks, as shown in Figure 3-3. Each block consists of 32 bytes, a single state bit, and an address tag. As with the data cache, each instruction cache block contains eight contiguous words from memory that are loaded from an eight-word boundary (that is, bits A[27–31] of the logical (effective) addresses are zero); as a result, cache blocks are aligned with page boundaries. Also, address bits A[20–26] provide the index to select a set, and bits A[27–29] select a word within a block.

The tags consist of bits PA[0–19]. Address translation occurs in parallel with set selection (from A[20–26]), and the higher order address bits (the tag bits in the cache) are physical.

The instruction cache differs from the data cache in that it does not implement MEI cache coherency protocol, and a single state bit is implemented that indicates only whether a cache block is valid or invalid. The instruction cache is not snooped, so if a processor modifies a memory location that may be contained in the instruction cache, software must ensure that such memory updates are visible to the instruction fetching mechanism. This can be achieved with the following instruction sequence:

```

dbst    # update memory
sync    # wait for update
icbi    # remove (invalidate) copy in instruction cache
sync    # wait for ICBI operation to be globally performed
isync   # remove copy in own instruction buffer

```

These operations are necessary because the processor does not maintain instruction memory coherent with data memory. Software is responsible for enforcing coherency of instruction caches and data memory. Since instruction fetching may bypass the data cache, changes made to items in the data cache may not be reflected in memory until after the instruction fetch completes.

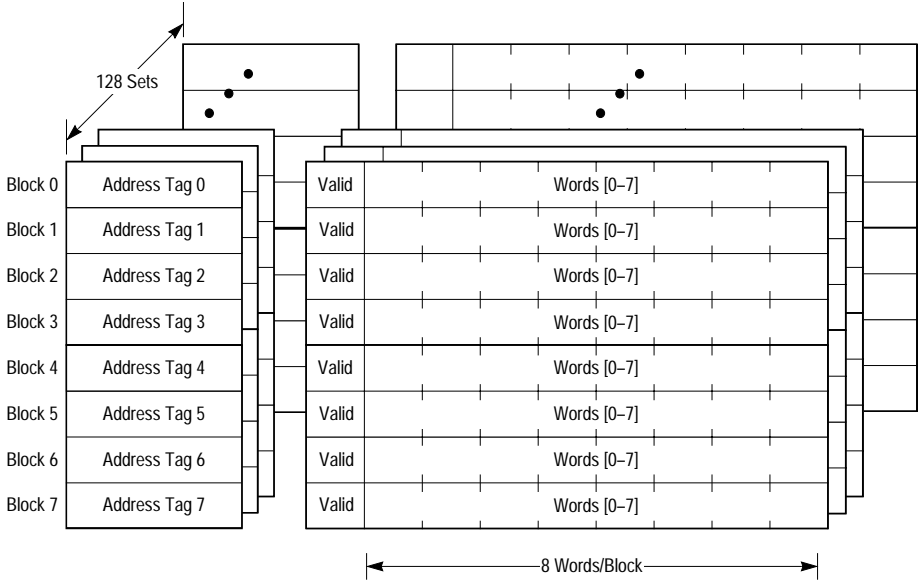


Figure 3-3. Instruction Cache Organization

### 3.3 Memory and Cache Coherency

The primary objective of a coherent memory system is to provide the same image of memory to all devices using the system. Coherency allows synchronization and cooperative use of shared resources. Otherwise, multiple copies of a memory location, some containing stale values, could exist in a system resulting in errors when the stale values are used. Each potential bus master must follow rules for managing the state of its cache. This section describes the coherency mechanisms of the PowerPC architecture and the three-state cache coherency protocol of the MPC750 data cache.

Note that unless specifically noted, the discussion of coherency in this section applies to the MPC750's data cache only. The instruction cache is not snooped. Instruction cache coherency must be maintained by software. However, the MPC750 does support a fast instruction cache invalidate capability as described in Section 3.4.1.4, "Instruction Cache Flash Invalidation."

### 3.3.1 Memory/Cache Access Attributes (WIMG Bits)

Some memory characteristics can be set on either a block or page basis by using the WIMG bits in the BAT registers or page table entry (PTE), respectively. The WIMG attributes control the following functionality:

- Write-through (W bit)
- Caching-inhibited (I bit)
- Memory coherency (M bit)
- Guarded memory (G bit)

These bits allow both uniprocessor and multiprocessor system designs to exploit numerous system-level performance optimizations.

The WIMG attributes are programmed by the operating system for each page and block. The W and I attributes control how the processor performing an access uses its own cache. The M attribute ensures that coherency is maintained for all copies of the addressed memory location. The G attribute prevents out-of-order loading and prefetching from the addressed memory location.

The WIMG attributes occupy four bits in the BAT registers for block address translation and in the PTEs for page address translation. The WIMG bits are programmed as follows:

- The operating system uses the **mtspr** instruction to program the WIMG bits in the BAT registers for block address translation. The IBAT register pairs do not have a G bit and all accesses that use the IBAT register pairs are considered not guarded.
- The operating system writes the WIMG bits for each page into the PTEs in system memory as it sets up the page tables.

When an access requires coherency, the processor performing the access must inform the coherency mechanisms throughout the system that the access requires memory coherency. The M attribute determines the kind of access performed on the bus (global or local).

Software must exercise care with respect to the use of these bits if coherent memory support is desired. Careless specification of these bits may create situations that present coherency paradoxes to the processor. In particular, this can happen when the state of these bits is changed without appropriate precautions (such as flushing the pages that correspond to the changed bits from the caches of all processors in the system) or when the address translations of aliased real addresses specify different values for any of the WIMG bits. These coherency paradoxes can occur within a single processor or across several processors. It is important to note that in the presence of a paradox, the operating system software is responsible for correctness.

For real addressing mode (that is, for accesses performed with address translation disabled— $MSR[IR] = 0$  or  $MSR[DR] = 0$  for instruction or data access, respectively), the WIMG bits are automatically generated as 0b0011 (the data is write-back, caching is enabled, memory coherency is enforced, and memory is guarded).



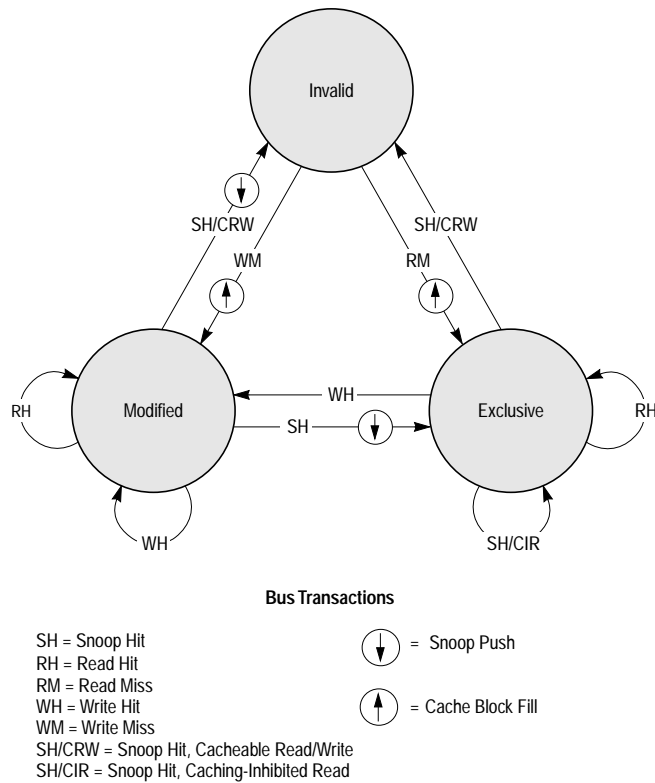
### 3.3.2 MEI Protocol

The MPC750 data cache coherency protocol is a coherent subset of the standard MESI four-state cache protocol that omits the shared state. The MPC750's data cache characterizes each 32-byte block it contains as being in one of three MEI states. Addresses presented to the cache are indexed into the cache directory with bits A[20–26], and the upper-order 20 bits from the physical address translation (PA[0–19]) are compared against the indexed cache directory tags. If neither of the indexed tags matches, the result is a cache miss. If a tag matches, a cache hit occurred and the directory indicates the state of the cache block through two state bits kept with the tag. The three possible states for a cache block in the cache are the modified state (M), the exclusive state (E), and the invalid state (I). The three MEI states are defined in Table 3-1.

**Table 3-1. MEI State Definitions**

MEI State	Definition
Modified (M)	The addressed cache block is present in the cache, and is modified with respect to system memory—that is, the modified data in the cache block has not been written back to memory. The cache block may be present in the MPC750's L2 cache, but it is not present in any other coherent cache.
Exclusive (E)	The addressed cache block is present in the cache, and this cache has exclusive ownership of the addressed block. The addressed block may be present in the MPC750's L2 cache, but it is not present in any other processor's cache. The data in this cache block is consistent with system memory.
Invalid (I)	This state indicates that the address block does not contain valid data or that the addressed cache block is not resident in the cache.

The MPC750 provides dedicated hardware to provide memory coherency by snooping bus transactions. Figure 3-4 shows the MEI cache coherency protocol, as enforced by the MPC750. Figure 3-4 assumes that the WIM bits for the page or block are set to 001; that is, write-back, caching-not-inhibited, and memory coherency enforced.



**Figure 3-4. MEI Cache Coherency Protocol—State Diagram (WIM = 001)**

Since data cannot be shared, the MPC750 signals all cache block fills as if they were write misses (read-with-intent-to-modify), which flushes the corresponding copies of the data in all caches external to the MPC750 prior to the cache-block-fill operation. Following the cache block load, the MPC750 is the exclusive owner of the data and may write to it without a bus broadcast transaction.

To maintain the three-state coherency, all global reads observed on the bus by the MPC750 are snooped as if they were writes, causing the MPC750 to flush the cache block (write the cache block back to memory and invalidate the cache block if it is modified, or simply invalidate the cache block if it is unmodified). The exception to this rule occurs when a snooped transaction is a caching-inhibited read (either burst or single-beat, where TT[0–4] = X1010; see Table 7-1 for clarification), in which case the MPC750 does not invalidate the snooped cache block. If the cache block is modified, the block is written back to memory, and the cache block is marked exclusive. If the cache block is marked exclusive, no bus

action is taken, and the cache block remains in the exclusive state. This treatment of caching-inhibited reads decreases the possibility of data thrashing by allowing noncaching devices to read data without invalidating the entry from the MPC750's data cache.

Section 3.8, "MEI State Transactions," provides a detailed list of MEI transitions for various operations and WIM bit settings.

### 3.3.2.1 MEI Hardware Considerations

While the MPC750 provides the hardware required to monitor bus traffic for coherency, the MPC750 data cache tags are single-ported, and a simultaneous load/store and snoop access represents a resource conflict. In general, the snoop access has highest priority and is given first access to the tags. The load or store access will then occur on the clock following the snoop. The snoop is not given priority into the tags when the snoop coincides with a tag write (for example, validation after a cache block load). In these situations, the snoop is retried and must re-arbitrate before the lookup is possible.

Occasionally, cache snoops cannot be serviced and must be retried. These retries occur if the cache is busy with a burst read or write when the snoop operation takes place.

Note that it is possible for a snoop to hit a modified cache block that is already in the process of being written to the copy-back buffer for replacement purposes. If this happens, the MPC750 retries the snoop, and raises the priority of the castout operation to allow it to go to the bus before the cache block fill.

Another consideration is page table aliasing. If a store hits to a modified cache block but the page table entry is marked write-through (WIMG = 1xxx), then the page has probably been aliased through another page table entry which is marked write-back (WIMG = 0xxx). If this occurs, the MPC750 ignores the modified bit in the cache tag. The cache block is updated during the write-through operation and the block remains in the modified state.

The global ( $\overline{\text{GBL}}$ ) signal, asserted as part of the address attribute field during a bus transaction, enables the snooping hardware of the MPC750. Address bus masters assert  $\overline{\text{GBL}}$  to indicate that the current transaction is a global access (that is, an access to memory shared by more than one device). If  $\overline{\text{GBL}}$  is not asserted for the transaction, that transaction is not snooped by the MPC750. Note that the  $\overline{\text{GBL}}$  signal is not asserted for instruction fetches, and that  $\overline{\text{GBL}}$  is asserted for all data read or write operations when using real addressing mode (that is, address translation is disabled).

Normally,  $\overline{\text{GBL}}$  reflects the M-bit value specified for the memory reference in the corresponding translation descriptor(s). Care should be taken to minimize the number of pages marked as global, because the retry protocol enforces coherency and can use considerable bus bandwidth if much data is shared. Therefore, available bus bandwidth decreases as more memory is marked as global.

The MPC750 snoops a transaction if the transfer start ( $\overline{TS}$ ) and  $\overline{GBL}$  signals are asserted together in the same bus clock (this is a qualified snooping condition). No snoop update to the MPC750 cache occurs if the snooped transaction is not marked global. Also, because cache block castouts and snoop pushes do not require snooping, the  $\overline{GBL}$  signal is not asserted for these operations.

When the MPC750 detects a qualified snoop condition, the address associated with the  $\overline{TS}$  signal is compared with the cache tags. Snooping finishes if no hit is detected. If, however, the address hits in the cache, the MPC750 reacts according to the MEI protocol shown in Figure 3-4.

### 3.3.3 Coherency Precautions in Single Processor Systems

The following coherency paradoxes can be encountered within a single-processor system:

- Load or store to a caching-inhibited page (WIMG = x1xx) and a cache hit occurs.  
The MPC750 ignores any hits to a cache block in a memory space marked caching-inhibited (WIMG = x1xx). The access is performed on the external bus as if there were no hit. The data in the cache is not pushed, and the cache block is not invalidated.
- Store to a page marked write-through (WIMG = 1xxx) and a cache hit occurs to a modified cache block.  
The MPC750 ignores the modified bit in the cache tag. The cache block is updated during the write-through operation but the block remains in the modified state (M).

Note that when WIM bits are changed in the page tables or BAT registers, it is critical that the cache contents reflect the new WIM bit settings. For example, if a block or page that had allowed caching becomes caching-inhibited, software should ensure that the appropriate cache blocks are flushed to memory and invalidated.

### 3.3.4 Coherency Precautions in Multiprocessor Systems

The MPC750's three-state coherency protocol permits no data sharing between the MPC750 and other caches. All burst reads initiated by the MPC750 are performed as read with intent to modify. Burst snoops are interpreted as read with intent to modify or read with no intent to cache. This effectively places all caches in the system into a three-state coherency scheme. Four-state caches may share data amongst themselves but not with the MPC750.

### 3.3.5 MPC750-Initiated Load/Store Operations

Load and store operations are assumed to be weakly ordered on the MPC750. The load/store unit (LSU) can perform load operations that occur later in the program ahead of store operations, even when the data cache is disabled (see Section 3.3.5.2, "Sequential Consistency of Memory Accesses"). However, strongly ordered load and store operations can be enforced through the setting of the I bit (of the page WIMG bits) when address

translation is enabled. Note that when address translation is disabled (real addressing mode), the default WIMG bits cause the I bit to be cleared (accesses are assumed to be cacheable), and thus the accesses are weakly ordered. Refer to Section 5.2, “Real Addressing Mode,” for a description of the WIMG bits when address translation is disabled.

The MPC750 does not provide support for direct-store segments. Operations attempting to access a direct-store segment will invoke a DSI exception. For additional information about DSI exceptions, refer to Section 4.5.3, “DSI Exception (0x00300).”

### **3.3.5.1 Performed Loads and Stores**

The PowerPC architecture defines a performed load operation as one that has the addressed memory location bound to the target register of the load instruction. The architecture defines a performed store operation as one where the stored value is the value that any other processor will receive when executing a load operation (that is of course, until it is changed again). With respect to the MPC750, caching-allowed (WIMG = x0xx) loads and caching-allowed, write-back (WIMG = 00xx) stores are performed when they have arbitrated to address the cache block. Note that in the event of a cache miss, these storage operations may place a memory request into the processor’s memory queue, but such operations are considered an extension to the state of the cache with respect to snooping bus operations. Caching-inhibited (WIMG = x1xx) loads, caching-inhibited (WIMG = x1xx) stores, and write-through (WIMG = 1xxx) stores are performed when they have been successfully presented to the external 60x bus.

### **3.3.5.2 Sequential Consistency of Memory Accesses**

The PowerPC architecture requires that all memory operations executed by a single processor be sequentially consistent with respect to that processor. This means that all memory accesses appear to be executed in program order with respect to exceptions and data dependencies.

The MPC750 achieves sequential consistency by operating a single pipeline to the cache/MMU. All memory accesses are presented to the MMU in exact program order and therefore exceptions are determined in order. Loads are allowed to bypass stores once exception checking has been performed for the store, but data dependency checking is handled in the load/store unit so that a load will not bypass a store with an address match. Note that although memory accesses that miss in the cache are forwarded to the memory queue for future arbitration for the external bus, all potential synchronous exceptions have been resolved before the cache. In addition, although subsequent memory accesses can address the cache, full coherency checking between the cache and the memory queue is provided to avoid dependency conflicts.

### **3.3.5.3 Atomic Memory References**

The PowerPC architecture defines the Load Word and Reserve Indexed (**lwarx**) and the Store Word Conditional Indexed (**stwcx.**) instructions to provide an atomic update function for a single, aligned word of memory. These instructions can be used to develop a rich set of multiprocessor synchronization primitives. Note that atomic memory references

constructed using **lwarx/stwcx**. instructions depend on the presence of a coherent memory system for correct operation. These instructions should not be expected to provide atomic access to noncoherent memory. For detailed information on these instructions, refer to Chapter 2, “MPC750 Processor Programming Model,” in this book and Chapter 8, “Instruction Set,” in *The Programming Environments Manual*.

The **lwarx** instruction performs a load word from memory operation and creates a reservation for the 32-byte section of memory that contains the accessed word. The reservation granularity is 32 bytes. The **lwarx** instruction makes a nonspecific reservation with respect to the executing processor and a specific reservation with respect to other masters. This means that any subsequent **stwcx**. executed by the same processor, regardless of address, will cancel the reservation. Also, any bus write or invalidate operation from another processor to an address that matches the reservation address will cancel the reservation.

The **stwcx**. instruction does not check the reservation for a matching address. The **stwcx**. instruction is only required to determine whether a reservation exists. The **stwcx**. instruction performs a store word operation only if the reservation exists. If the reservation has been cancelled for any reason, then the **stwcx**. instruction fails and clears the CR0[EQ] bit in the condition register. The architectural intent is to follow the **lwarx/stwcx**. instruction pair with a conditional branch which checks to see whether the **stwcx**. instruction failed.

If the page table entry is marked caching-allowed (WIMG = x0xx), and an **lwarx** access misses in the cache, then the MPC750 performs a cache block fill. If the page is marked caching-inhibited (WIMG = x1xx) or the cache is locked, and the access misses, then the **lwarx** instruction appears on the bus as a single-beat load. All bus operations that are a direct result of either an **lwarx** instruction or an **stwcx**. instruction are placed on the bus with a special encoding. Note that this does not force all **lwarx** instructions to generate bus transactions, but rather provides a means for identifying when an **lwarx** instruction does generate a bus transaction. If an implementation requires that all **lwarx** instructions generate bus transactions, then the associated pages should be marked as caching-inhibited.

The state of the reservation is always presented onto the  $\overline{\text{RSRV}}$  output signal. This can be used to determine when an internal condition has caused a change in the reservation state.

The MPC750’s data cache treats all **stwcx**. operations as write-through independent of the WIMG settings. However, if the **stwcx**. operation hits in the MPC750’s L2 cache, then the operation completes with the reservation intact in the L2 cache. See Chapter 9, “L2 Cache Interface Operation,” for more information. Otherwise, the **stwcx**. operation continues to the bus interface unit for completion. When the write-through operation completes successfully, either in the L2 cache or on the 60x bus, then the data cache entry is updated (assuming it hits), and CR0[EQ] is modified to reflect the success of the operation. If the reservation is not intact, the **stwcx**. completes in the bus interface unit without performing a bus transaction, and without modifying either of the caches.

## 3.4 Cache Control

The MPC750's L1 caches are controlled by programming specific bits in the HID0 special-purpose register and by issuing dedicated cache control instructions. Section 3.4.1, "Cache Control Parameters in HID0," describes the HID0 cache control bits, and Section 3.4.2, "Cache Control Instructions," describes the cache control instructions.

### 3.4.1 Cache Control Parameters in HID0

The HID0 special-purpose register contains several bits that invalidate, disable, and lock the instruction and data caches. The following sections describe these facilities.

#### 3.4.1.1 Data Cache Flash Invalidation

The data cache is automatically invalidated when the MPC750 is powered up and during a hard reset. However, a soft reset does not automatically invalidate the data cache. Software must use the HID0 data cache flash invalidate bit (HID0[DCFI]) if data cache invalidation is desired after a soft reset. Once HID0[DCFI] is set through an **mtspr** operation, the MPC750 automatically clears this bit in the next clock cycle (provided that the data cache is enabled in the HID0 register).

Note that some PowerPC microprocessors accomplish data cache flash invalidation by setting and clearing HID0[DCFI] with two consecutive **mtspr** instructions (that is, the bit is not automatically cleared by the microprocessor). Software that has this sequence of operations does not need to be changed to run on the MPC750.

#### 3.4.1.2 Data Cache Enabling/Disabling

The data cache may be enabled or disabled by using the data cache enable bit, HID0[DCE]. HID0[DCE] is cleared on power-up, disabling the data cache.

When the data cache is in the disabled state (HID0[DCE] = 0), the cache tag state bits are ignored, and all accesses are propagated to the L2 cache or 60x bus as single-beat transactions. Note that the  $\overline{CI}$  (cache inhibit) signal always reflects the state of the caching-inhibited memory/cache access attribute (the I bit) independent of the state of HID0[DCE]. Also note that disabling the data cache does not affect the translation logic; translation for data accesses is controlled by MSR[DR].

The setting of the DCE bit must be preceded by a **sync** instruction to prevent the cache from being enabled or disabled in the middle of a data access. In addition, the cache must be globally flushed before it is disabled to prevent coherency problems when it is re-enabled.

Snooping is not performed when the data cache is disabled.

The **dcbz** instruction will cause an alignment exception when the data cache is disabled. The touch load (**dcbt** and **dcbtst**) instructions are no-ops when the data cache is disabled. Other cache operations (caused by the **dcbf**, **dcbst**, and **dcbi** instructions) are not affected

by disabling the cache. This can potentially cause coherency errors. For example, a **dcbf** instruction that hits a modified cache block in the disabled cache will cause a copyback to memory of potentially stale data.

### 3.4.1.3 Data Cache Locking

The contents of the data cache can be locked by setting the data cache lock bit, `HID0[DLOCK]`. A data access that hits in a locked data cache is serviced by the cache. However, all accesses that miss in the locked cache are propagated to the L2 cache or 60x bus as single-beat transactions. Note that the  $\overline{CI}$  signal always reflects the state of the caching-inhibited memory/cache access attribute (the I bit) independent of the state of `HID0[DLOCK]`.

The MPC750 treats snoop hits to a locked data cache the same as snoop hits to an unlocked data cache. However, any cache block invalidated by a snoop hit remains invalid until the cache is unlocked.

The setting of the `DLOCK` bit must be preceded by a **sync** instruction to prevent the data cache from being locked during a data access.

### 3.4.1.4 Instruction Cache Flash Invalidation

The instruction cache is automatically invalidated when the MPC750 is powered up and during a hard reset. However, a soft reset does not automatically invalidate the instruction cache. Software must use the `HID0` instruction cache flash invalidate bit (`HID0[ICFI]`) if instruction cache invalidation is desired after a soft reset. Once `HID0[ICFI]` is set through an **mtspr** operation, the MPC750 automatically clears this bit in the next clock cycle (provided that the instruction cache is enabled in the `HID0` register).

Note that some PowerPC microprocessors accomplish instruction cache flash invalidation by setting and clearing `HID0[ICFI]` with two consecutive **mtspr** instructions (that is, the bit is not automatically cleared by the microprocessor). Software that has this sequence of operations does not need to be changed to run on the MPC750.

### 3.4.1.5 Instruction Cache Enabling/Disabling

The instruction cache may be enabled or disabled through the use of the instruction cache enable bit, `HID0[ICE]`. `HID0[ICE]` is cleared on power-up, disabling the instruction cache.

When the instruction cache is in the disabled state (`HID0[ICE] = 0`), the cache tag state bits are ignored, and all instruction fetches are propagated to the L2 cache or 60x bus as single-beat transactions. Note that the  $\overline{CI}$  signal always reflects the state of the caching-inhibited memory/cache access attribute (the I bit) independent of the state of `HID0[ICE]`. Also note that disabling the instruction cache does not affect the translation logic; translation for instruction accesses is controlled by `MSR[IR]`.



The setting of the ICE bit must be preceded by an **isync** instruction to prevent the cache from being enabled or disabled in the middle of an instruction fetch. In addition, the cache must be globally flushed before it is disabled to prevent coherency problems when it is re-enabled. The **icbi** instruction is not affected by disabling the instruction cache.

#### 3.4.1.6 Instruction Cache Locking

The contents of the instruction cache can be locked by setting the instruction cache lock bit, **HID0[ILOCK]**. An instruction fetch that hits in a locked instruction cache is serviced by the cache. However, all accesses that miss in the locked cache are propagated to the L2 cache or 60x bus as single-beat transactions. Note that the  $\overline{CI}$  signal always reflects the state of the caching-inhibited memory/cache access attribute (the I bit) independent of the state of **HID0[ILOCK]**.

The setting of the ILOCK bit must be preceded by an **isync** instruction to prevent the instruction cache from being locked during an instruction fetch.

### 3.4.2 Cache Control Instructions

The PowerPC architecture defines instructions for controlling both the instruction and data caches (when they exist). The cache control instructions, **dcbt**, **dcbtst**, **dcbz**, **dcbst**, **dcbf**, **dcbi**, and **icbi**, are intended for the management of the local L1 and L2 caches. The MPC750 interprets the cache control instructions as if they pertain only to its own L1 or L2 caches. These instructions are not intended for managing other caches in the system (except to the extent necessary to maintain coherency).

The MPC750 does not snoop cache control instruction broadcasts, except for **dcbz** when  $M = 1$ . The **dcbz** instruction is the only cache control instruction that causes a broadcast on the 60x bus (when  $M = 1$ ) to maintain coherency. All other data cache control instructions (**dcbi**, **dcbf**, **dcbst** and **dcbz**) are not broadcast, unless broadcast is enabled through the **HID0[ABE]** configuration bit. Note that **dcbi**, **dcbf**, **dcbst** and **dcbz** do broadcast to the MPC750's L2 cache, regardless of **HID0[ABE]**. The **icbi** instruction is never broadcast.

#### 3.4.2.1 Data Cache Block Touch (dcbt) and Data Cache Block Touch for Store (dcbstst)

The Data Cache Block Touch (**dcbt**) and Data Cache Block Touch for Store (**dcbstst**) instructions provide potential system performance improvement through the use of software-initiated prefetch hints. The MPC750 treats these instructions identically (that is, a **dcbstst** instruction behaves exactly the same as a **dcbt** instruction on the MPC750). Note that PowerPC implementations are not required to take any action based on the execution of these instructions, but they may choose to prefetch the cache block corresponding to the effective address into their cache.

The MPC750 loads the data into the cache when the address hits in the TLB or the BAT, is permitted load access from the addressed page, is not directed to a direct-store segment, and is directed at a cacheable page. Otherwise, the MPC750 treats these instructions as no-ops. The data brought into the cache as a result of this instruction is validated in the same manner

that a load instruction would be (that is, it is marked as exclusive). The memory reference of a **dcbt** (or **dcbtst**) instruction causes the reference bit to be set. Note also that the successful execution of the **dcbt** (or **dcbtst**) instruction affects the state of the TLB and cache LRU bits as defined by the PLRU algorithm.

### 3.4.2.2 Data Cache Block Zero (dcbz)

The effective address is computed, translated, and checked for protection violations as defined in the PowerPC architecture. The **dcbz** instruction is treated as a store to the addressed byte with respect to address translation and protection.

If the block containing the byte addressed by the EA is in the data cache, all bytes are cleared, and the tag is marked as modified (M). If the block containing the byte addressed by the EA is not in the data cache and the corresponding page is caching-allowed, the block is established in the data cache without fetching the block from main memory, and all bytes of the block are cleared, and the tag is marked as modified (M).

If the contents of the cache block are from a page marked memory coherence required (M = 1), an address-only bus transaction is run prior to clearing the cache block. The **dcbz** instruction is the only cache control instruction that causes a broadcast on the 60x bus (when M = 1) to maintain coherency. The other cache control instructions are not broadcast unless broadcasting is specifically enabled through the HID0[ABE] configuration bit.

The **dcbz** instruction executes regardless of whether the cache is locked, but if the cache is disabled, an alignment exception is generated. If the page containing the byte addressed by the EA is caching-inhibited or write-through, then the system alignment exception handler is invoked. BAT and TLB protection violations generate DSI exceptions.

### 3.4.2.3 Data Cache Block Store (dcbst)

The effective address is computed, translated, and checked for protection violations as defined in the PowerPC architecture. This instruction is treated as a load with respect to address translation and memory protection.

If the address hits in the cache and the cache block is in the exclusive (E) state, no action is taken. If the address hits in the cache and the cache block is in the modified (M) state, the modified block is written back to memory and the cache block is placed in the exclusive (E) state.

The execution of a **dcbst** instruction does not broadcast on the 60x bus unless broadcast is enabled through the HID0[ABE] bit. The function of this instruction is independent of the WIMG bit settings of the block containing the effective address. The **dcbst** instruction executes regardless of whether the cache is disabled or locked; however, a BAT or TLB protection violation generates a DSI exception.

### 3.4.2.4 Data Cache Block Flush (dcbf)

The effective address is computed, translated, and checked for protection violations as defined in the PowerPC architecture. This instruction is treated as a load with respect to address translation and memory protection.

If the address hits in the cache, and the block is in the modified (M) state, the modified block is written back to memory and the cache block is placed in the invalid (I) state. If the address hits in the cache, and the cache block is in the exclusive (E) state, the cache block is placed in the invalid (I) state. If the address misses in the cache, no action is taken.

The execution of **dcbf** does not broadcast on the 60x bus unless broadcast is enabled through the HID0[ABE] bit. The function of this instruction is independent of the WIMG bit settings of the block containing the effective address. The **dcbf** instruction executes regardless of whether the cache is disabled or locked; however, a BAT or TLB protection violation generates a DSI exception.

### 3.4.2.5 Data Cache Block Invalidate (dcbi)

The effective address is computed, translated, and checked for protection violations as defined in the PowerPC architecture. This instruction is treated as a store with respect to address translation and memory protection.

If the address hits in the cache, the cache block is placed in the invalid (I) state, regardless of whether the data is modified. Because this instruction may effectively destroy modified data, it is privileged (that is, **dcbi** is available to programs at the supervisor privilege level, MSR[PR] = 0).

The execution of **dcbi** does not broadcast on the 60x bus unless broadcast is enabled through the HID0[ABE] bit. The function of this instruction is independent of the WIMG bit settings of the block containing the effective address. The **dcbi** instruction executes regardless of whether the cache is disabled or locked; however, a BAT or TLB protection violation generates a DSI exception.

### 3.4.2.6 Instruction Cache Block Invalidate (icbi)

For the **icbi** instruction, the effective address is not computed or translated, so it cannot generate a protection violation or exception. This instruction performs a virtual lookup into the instruction cache (index only). All ways of the selected instruction cache set are invalidated.

The **icbi** instruction is not broadcast on the 60x bus. The **icbi** instruction invalidates the cache blocks independent of whether the cache is disabled or locked.

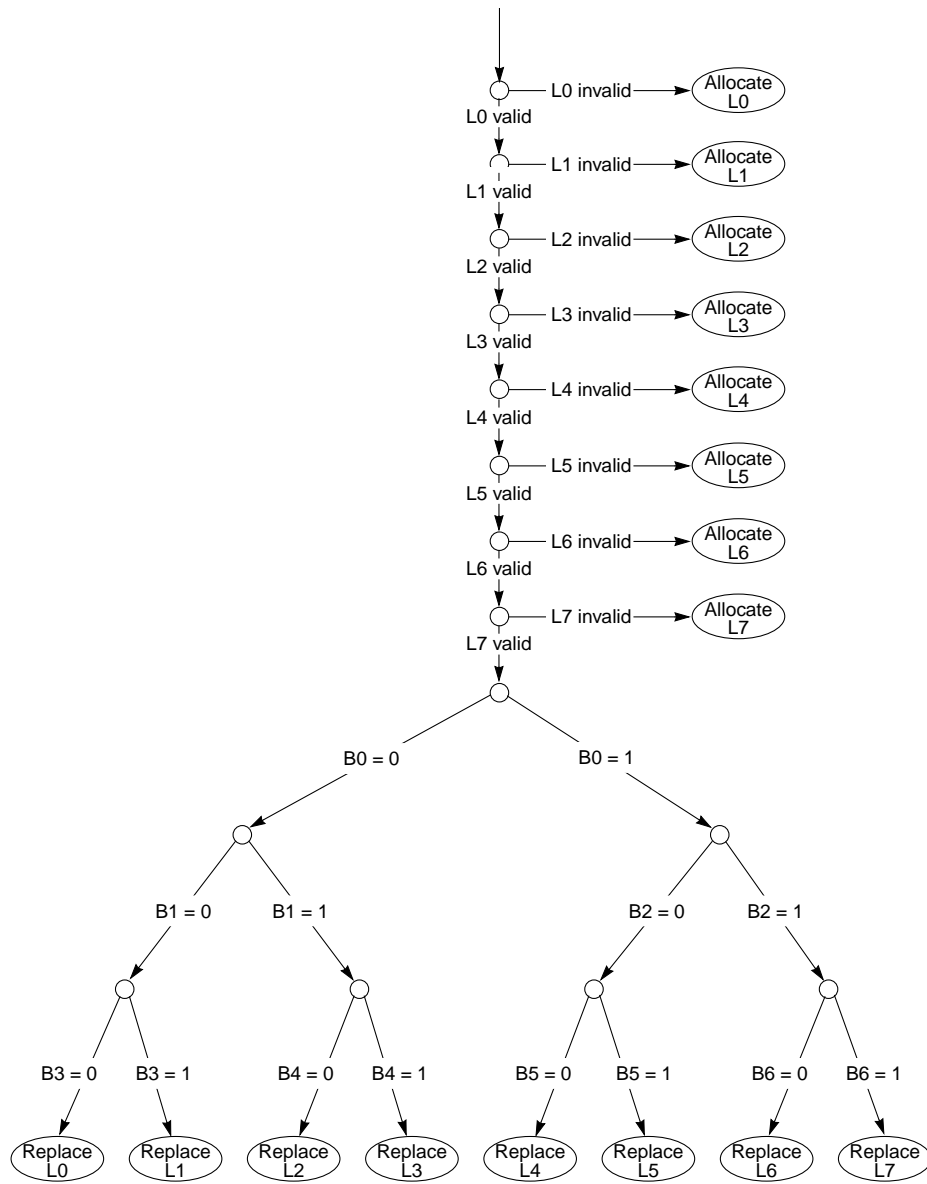
## 3.5 Cache Operations

This section describes the MPC750 cache operations.

### 3.5.1 Cache Block Replacement/Flush Operations

Both the instruction and data cache use a pseudo least-recently-used (PLRU) replacement algorithm when a new block needs to be placed in the cache. When the data to be replaced is in the modified (M) state, that data is written into a flush buffer while the missed data is being accessed on the bus. When the load completes, the MPC750 then pushes the replaced cache block from the flush buffer to the L2 cache (if L2 is enabled) or to main memory (if L2 is disabled).

The replacement logic first checks to see if there are any invalid blocks in the set and chooses the lowest-order, invalid block (L[0–7]) as the replacement target. If all eight blocks in the set are valid, the PLRU algorithm is used to determine which block should be replaced. The PLRU algorithm is shown in Figure 3-5.



**Figure 3-5. PLRU Replacement Algorithm**

Each cache is organized as eight blocks per set by 128 sets. There is a valid bit for each block in the cache, L[0–7]. When all eight blocks in the set are valid, the PLRU algorithm is used to select the replacement target. There are seven PLRU bits, B[0–6] for each set in the cache. For every hit in the cache, the PLRU bits are updated using the rules specified in Table 3-2.

**Table 3-2. PLRU Bit Update Rules**

If the Current Access is To:	Then the PLRU bits are Changed to:						
	B0	B1	B2	B3	B4	B5	B6
L0	1	1	x	1	x	x	x
L1	1	1	x	0	x	x	x
L2	1	0	x	x	1	x	x
L3	1	0	x	x	0	x	x
L4	0	x	1	x	x	1	x
L5	0	x	1	x	x	0	x
L6	0	x	0	x	x	x	1
L7	0	x	0	x	x	x	0

x = Does not change

If all eight blocks are valid, then a block is selected for replacement according to the PLRU bit encodings shown in Table 3-3.

**Table 3-3. PLRU Replacement Block Selection**

If the PLRU Bits Are:						Then the Block Selected for Replacement Is:
<b>B0</b>	0	<b>B1</b>	0	<b>B3</b>	0	L0
	0		0		1	L1
	0		1	<b>B4</b>	0	L2
	0		1		1	L3
	1	<b>B2</b>	0	<b>B5</b>	0	L4
	1		0		1	L5
	1		1	<b>B6</b>	0	L6
	1		1		1	L7

During power-up or hard reset, all the valid bits of the blocks are cleared and the PLRU bits cleared to point to block L0 of each set. Note that this is also the state of the data or instruction cache after setting their respective flash invalidate bit (HID0[DCFI] or HID0[ICFI]).

### 3.5.2 Cache Flush Operations

The instruction cache can be invalidated by executing a series of **icbi** instructions or by setting HID0[ICFI]. The data cache can be invalidated by executing a series of **dcbi** instructions or by setting HID0[DCFI].

Any modified entries in the data cache can be copied back to memory (flushed) by using the **dcbf** instruction or by executing a series of 12 uniquely addressed load or **dcbz** instructions to each of the 128 sets. The address space should not be shared with any other process to prevent snoop hit invalidations during the flushing routine. Exceptions should be disabled during this time so that the PLRU algorithm does not get disturbed.

The data cache flush assist bit, HID0[DCFA], simplifies the software flushing process. When set, HID0[DCFA] forces the PLRU replacement algorithm to ignore the invalid entries and follow the replacement sequence defined by the PLRU bits. This reduces the series of uniquely addressed load or **dcbz** instructions to eight per set. HID0[DCFA] should be set just prior to the beginning of the cache flush routine and cleared after the series of instructions is complete.

### 3.5.3 Data Cache-Block-Fill Operations

The MPC750's data cache blocks are filled in four beats of 64 bits each, with the critical double word loaded first. The data cache is not blocked to internal accesses while the load (caused by a cache miss) completes. This functionality is sometimes referred to as 'hits under misses,' because the cache can service a hit while a cache miss fill is waiting to complete. The critical-double-word read from memory is simultaneously written to the data cache and forwarded to the requesting unit, thus minimizing stalls due to cache fill latency.

A cache block is filled after a read miss or write miss (read-with-intent-to-modify) occurs in the cache. The cache block that corresponds to the missed address is updated by a burst transfer of the data from the L2 or system memory. Note that if a read miss occurs in a system with multiple bus masters, and the data is modified in another cache, the modified data is first written to external memory before the cache fill occurs.

### 3.5.4 Instruction Cache-Block-Fill Operations

The MPC750's instruction cache blocks are loaded in four beats of 64 bits each, with the critical double word loaded first. The instruction cache is not blocked to internal accesses while the fetch (caused by a cache miss) completes. On a cache miss, the critical and following double words read from memory are simultaneously written to the instruction cache and forwarded to the instruction queue, thus minimizing stalls due to cache fill latency. There is no snooping of the instruction cache.

### 3.5.5 Data Cache-Block-Push Operation

When a cache block in the MPC750 is snooped and hit by another bus master and the data is modified, the cache block must be written to memory and made available to the snooping device. The cache block that is hit is said to be pushed out onto the 60x bus. The MPC750 supports two kinds of push operations—normal push operations and enveloped high-priority push operations, which are described in Section 3.5.5.1, “Enveloped High-Priority Cache-Block-Push Operation.”

#### 3.5.5.1 Enveloped High-Priority Cache-Block-Push Operation

In cases where the MPC750 has completed the address tenure of a read operation, and then detects a snoop hit to a modified cache block by another bus master, the MPC750 provides a high-priority push operation. If the address snooped is the same as the address of the data to be returned by the read operation,  $\overline{\text{ARTRY}}$  is asserted one or more times until the data tenure of the read operation is completed. The cache-block-push transaction can be enveloped within the address and data tenures of a read operation. This feature prevents deadlocks in system organizations that support multiple memory-mapped buses.

More specifically, the MPC750 internally detects the scenario where a load request is outstanding and the processor has pipelined a write operation on top of the load. Normally, when the data bus is granted to the MPC750, the resulting data bus tenure is used for the load operation. The enveloped high-priority cache block push feature defines a bus signal, data bus write only ( $\overline{\text{DBWO}}$ ), which when asserted with a qualified data bus grant indicates that the resulting data tenure should be used for the store operation instead. This signal is described in Section 8.10, “Using Data Bus Write Only.” Note that the enveloped copy-back operation is an internally pipelined bus operation.

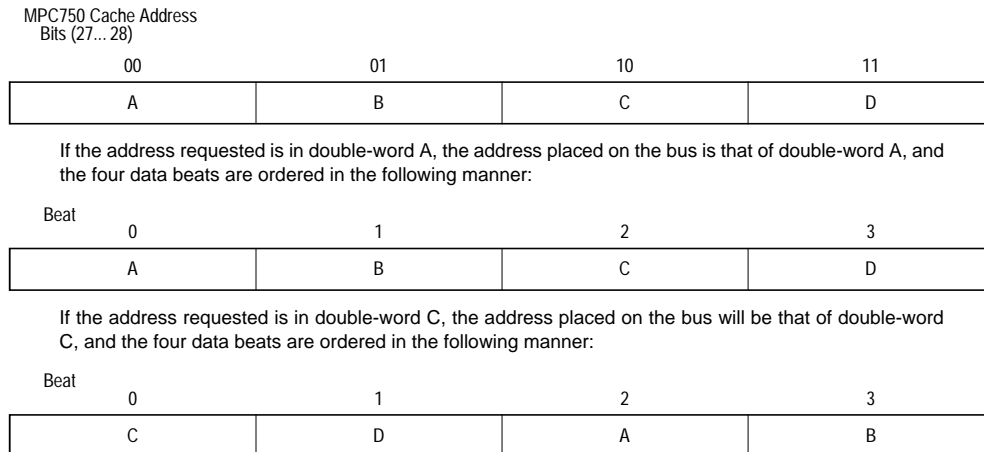
## 3.6 L1 Caches and 60x Bus Transactions

The MPC750 transfers data to and from the cache in single-beat transactions of two words, or in four-beat transactions of eight words which fill a cache block. Single-beat bus transactions can transfer from one to eight bytes to or from the MPC750, and can be misaligned. Single-beat transactions can be caused by cache write-through accesses, caching-inhibited accesses ( $\text{WIMG} = \text{x1xx}$ ), accesses when the cache is disabled ( $\text{HID0}[\text{DCE}]$  bit is cleared), or accesses when the cache is locked ( $\text{HID0}[\text{DLOCK}]$  bit is cleared).

Burst transactions on the MPC750 always transfer eight words of data at a time, and are aligned to a double-word boundary. The MPC750 transfer burst ( $\overline{\text{TBST}}$ ) output signal indicates to the system whether the current transaction is a single-beat transaction or four-beat burst transfer. Burst transactions have an assumed address order. For cacheable read operations, instruction fetches, or cacheable, non-write-through write operations that miss the cache, the MPC750 presents the double-word-aligned address associated with the load/store instruction or instruction fetch that initiated the transaction.



As shown in Figure 3-6, the first quad word contains the address of the load/store or instruction fetch that missed the cache. This minimizes latency by allowing the critical code or data to be forwarded to the processor before the rest of the block is filled. For all other burst operations, however, the entire block is transferred in order (oct-word-aligned). Critical-double-word-first fetching on a cache miss applies to both the data and instruction cache.



**Figure 3-6. Double-Word Address Ordering—Critical Double Word First**

### 3.6.1 Read Operations and the MEI Protocol

The MEI coherency protocol affects how the MPC750 data cache performs read operations on the 60x bus. All reads (except for caching-inhibited reads) are encoded on the bus as read-with-intent-to-modify (RWITM) to force flushing of the addressed cache block from other caches in the system.

The MEI coherency protocol also affects how the MPC750 snoops read operations on the 60x bus. All reads snooped from the 60x bus (except for caching-inhibited reads) are interpreted as RWITM to cause flushing from the MPC750's cache. Single-beat reads ( $\overline{\text{TBST}}$  negated) are interpreted by the MPC750 as caching inhibited.

These actions for read operations allow the MPC750 to operate successfully (coherently) on the bus with other bus masters that implement either the three-state MEI or a four-state MESI cache coherency protocol.

### 3.6.2 Bus Operations Caused by Cache Control Instructions

The cache control, TLB management, and synchronization instructions supported by the MPC750 may affect or be affected by the operation of the 60x bus. The operation of the instructions may also indirectly cause bus transactions to be performed, or their completion may be linked to the bus.

The **dcbz** instruction is the only cache control instruction that causes an address-only broadcast on the 60x bus. All other data cache control instructions (**dcbi**, **dcbf**, **dcbst**, and **dcbz**) are not broadcast unless specifically enabled through the HID0[ABE] configuration bit. Note that **dcbi**, **dcbf**, **dcbst**, and **dcbz** do broadcast to the MPC750's L2 cache, regardless of HID0[ABE]. HID0[ABE] also controls the broadcast of the **sync** and **eieio** instructions. The **icbi** instruction is never broadcast. No broadcasts by other masters are snooped by the MPC750 (except for **dcbz** kill block transactions). For detailed information on the cache control instructions, refer to Chapter 2, "MPC750 Processor Programming Model," in this book and Chapter 8, "Instruction Set," in *The Programming Environments Manual*.

Table 3-4 provides an overview of the bus operations initiated by cache control instructions. Note that Table 3-4 assumes that the WIM bits are set to 001; that is, the cache is operating in write-back mode, caching is permitted and coherency is enforced.

**Table 3-4. Bus Operations Caused by Cache Control Instructions (WIM = 001)**

Instruction	Current Cache State	Next Cache State	Bus Operation	Comment
<b>sync</b>	Don't care	No change	<b>sync</b> (if enabled in HID0[ABE])	Waits for memory queues to complete bus activity
<b>tlbie</b>	—	—	None	—
<b>tlbsync</b>	—	—	None	Waits for the negation of the TLBSYNC input signal to complete
<b>eieio</b>	Don't care	No change	<b>eieio</b> (if enabled in HID0[ABE])	Address-only bus operation
<b>icbi</b>	Don't care	I	None	—
<b>dcbi</b>	Don't care	I	Kill block (if enabled in HID0[ABE])	Address-only bus operation
<b>dcbf</b>	I, E	I	Flush block (if enabled in HID0[ABE])	Address-only bus operation
<b>dcbf</b>	M	I	Write with kill	Block is pushed
<b>dcbst</b>	I, E	No change	Clean block (if enabled in HID0[ABE])	Address-only bus operation

**Table 3-4. Bus Operations Caused by Cache Control Instructions (WIM = 001)**

Instruction	Current Cache State	Next Cache State	Bus Operation	Comment
<b>dcbst</b>	M	E	Write with kill	Block is pushed
<b>dcbz</b>	I	M	Write with kill	—
<b>dcbz</b>	E, M	M	Kill block	Writes over modified data
<b>dcbt</b>	I	E	Read-with-intent-to-modify	Fetches cache block is stored in the cache
<b>dcbt</b>	E, M	No change	None	—
<b>dcbtst</b>	I	E	Read-with-intent-to-modify	Fetches cache block is stored in the cache
<b>dcbtst</b>	E, M	No change	None	—

For additional details about the specific bus operations performed by the MPC750, see Chapter 8, “System Interface Operation.”

### 3.6.3 Snooping

The MPC750 maintains data cache coherency in hardware by coordinating activity between the data cache, the bus interface logic, the L2 cache, and the memory system. The MPC750 has a copy-back cache which relies on bus snooping to maintain cache coherency with other caches in the system. For the MPC750, the coherency size of the bus is the size of a cache block, 32 bytes. This means that any bus transactions that cross an aligned 32-byte boundary must present a new address onto the bus at that boundary for proper snoop operation by the MPC750, or they must operate noncoherently with respect to the MPC750.

As bus operations are performed on the bus by other bus masters, the MPC750 bus snooping logic monitors the addresses and transfer attributes that are referenced. The MPC750 snoops the bus transactions during the cycle that  $\overline{TS}$  is asserted for any of the following qualified snoop conditions:

- The global signal  $\overline{GBL}$  is asserted indicating that coherency enforcement is required.
- A reservation is currently active in the MPC750 as the result of an **lwarx** instruction, and the transfer type attributes (TT[0–4]) indicate a write or kill operation. These transactions are snooped regardless of whether  $\overline{GBL}$  is asserted to support reservations in the MEI cache protocol.

The state of  $\overline{ABB}$  is not sampled to determine a qualified snoop condition. All transactions snooped by the MPC750 are checked for correct address bus parity. Every assertion of  $\overline{TS}$  detected by the MPC750 (whether snooped or not) must be followed by an accompanying assertion of  $\overline{AACK}$ .

Once a qualified snoop condition is detected on the bus, the snooped address associated with  $\overline{TS}$  is compared against the data cache tags, memory queues, and/or other storage elements as appropriate. The L1 data cache tags and L2 cache tags are snooped for standard data cache coherency support. No snooping is done in the instruction cache for coherency.

The memory queues are snooped for pipeline collisions and memory coherency collisions. A pipeline collision is detected when another bus master addresses any portion of a line that this MPC750's data cache is currently in the process of loading (L1 loading from L2, or L1/L2 loading from memory). A memory coherency collision occurs when another bus master addresses any portion of a line that the MPC750 has currently queued to write to memory from the data cache (castout or copy-back), but has not yet been granted bus access to perform.

If a snooped transaction results in a cache hit or pipeline collision or memory queue collision, the MPC750 asserts  $\overline{ARTRY}$  on the 60x bus. The current bus master, detecting the assertion of the  $\overline{ARTRY}$  signal, should abort the transaction and retry it at a later time, so that the MPC750 can first perform a write operation back to memory from its cache or memory queues. The MPC750 may also retry a bus transaction if it is unable to snoop the transaction on that cycle due to internal resource conflicts. Additional snoop action may be forwarded to the cache as a result of a snoop hit in some cases (a cache push of modified data, or a cache block invalidation).

### 3.6.4 Snoop Response to 60x Bus Transactions

There are several bus transaction types defined for the 60x bus. The transactions in Table 3-5 correspond to the transfer type signals TT[0–4], which are described in Section 7.2.4.1, “Transfer Type (TT[0–4]).”

**Table 3-5. Response to Snooped Bus Transactions**

Snooped Transaction	TT[0–4]	MPC750 Response
Clean block	00000	No action is taken.
Flush block	00100	No action is taken.
SYNC	01000	No action is taken.
Kill block	01100	The kill block operation is an address-only bus transaction initiated when a <b>dcbz</b> or <b>dcbi</b> instruction is executed <ul style="list-style-type: none"> <li>• If the addressed cache block is in the exclusive (E) state, the cache block is placed in the invalid (I) state.</li> <li>• If the addressed cache block is in the modified (M) state, the MPC750 asserts <math>\overline{ARTRY}</math> and initiates a push of the modified block out of the cache and the cache block is placed in the invalid (I) state.</li> <li>• If the address misses in the cache, no action is taken.</li> </ul> Any reservation associated with the address is canceled.
EIEIO	10000	No action is taken.
External control word write	10100	No action is taken.

**Table 3-5. Response to Snooped Bus Transactions (Continued)**

Snooped Transaction	TT[0–4]	MPC750 Response
TLB invalidate	11000	No action is taken.
External control word read	11100	No action is taken.
<b>lwarx</b> reservation set	00001	No action is taken.
Reserved	00101	—
TLBSYNC	01001	No action is taken.
ICBI	01101	No action is taken.
Reserved	1XX01	—
Write-with-flush	00010	<p>A write-with-flush operation is a single-beat or burst transaction initiated when a caching-inhibited or write-through store instruction is executed.</p> <ul style="list-style-type: none"> <li>• If the addressed cache block is in the exclusive (E) state, the cache block is placed in the invalid (I) state.</li> <li>• If the addressed cache block is in the modified (M) state, the MPC750 asserts <math>\overline{ARTRY}</math> and initiates a push of the modified block out of the cache and the cache block is placed in the invalid (I) state.</li> <li>• If the address misses in the cache, no action is taken.</li> </ul> <p>Any reservation associated with the address is canceled.</p>
Write-with-kill	00110	<p>A write-with-kill operation is a burst transaction initiated due to a castout, caching-allowed push, or snoop copy -back.</p> <ul style="list-style-type: none"> <li>• If the address hits in the cache, the cache block is placed in the invalid (I) state (killing modified data that may have been in the block).</li> <li>• If the address misses in the cache, no action is taken.</li> </ul> <p>Any reservation associated with the address is canceled.</p>
Read	01010	<p>A read operation is used by most single-beat and burst load transactions on the bus.</p> <p>For single-beat, caching-inhibited read transaction:</p> <ul style="list-style-type: none"> <li>• If the addressed cache block is in the exclusive (E) state, the cache block remains in the exclusive (E) state.</li> <li>• If the addressed cache block is in the modified (M) state, the MPC750 asserts <math>\overline{ARTRY}</math> and initiates a push of the modified block out of the cache and the cache block is placed in the exclusive (E) state.</li> <li>• If the address misses in the cache, no action is taken.</li> </ul> <p>For burst read transactions:</p> <ul style="list-style-type: none"> <li>• If the addressed cache block is in the exclusive (E) state, the cache block is placed in the invalid (I) state.</li> <li>• If the addressed cache block is in the modified (M) state, the MPC750 asserts <math>\overline{ARTRY}</math> and initiates a push of the modified block out of the cache and the cache block is placed in the invalid (I) state.</li> <li>• If the address misses in the cache, no action is taken.</li> </ul>

**Table 3-5. Response to Snooped Bus Transactions (Continued)**

Snooped Transaction	TT[0–4]	MPC750 Response
Read-with-intent-to-modify (RWITM)	01110	<p>A RWITM operation is issued to acquire exclusive use of a memory location for the purpose of modifying it.</p> <ul style="list-style-type: none"> <li>• If the addressed cache block is in the exclusive (E) state, the cache block is placed in the invalid (I) state.</li> <li>• If the addressed cache block is in the modified (M) state, the MPC750 asserts <math>\overline{ARTRY}</math> and initiates a push of the modified block out of the cache and the cache block is placed in the invalid (I) state.</li> <li>• If the address misses in the cache, no action is taken.</li> </ul>
Write-with-flush-atomic	10010	<p>Write-with-flush-atomic operations occur after the processor issues an <b>stwcx.</b> instruction.</p> <ul style="list-style-type: none"> <li>• If the addressed cache block is in the exclusive (E) state, the cache block is placed in the invalid (I) state.</li> <li>• If the addressed cache block is in the modified (M) state, the MPC750 asserts <math>\overline{ARTRY}</math> and initiates a push of the modified block out of the cache and the cache block is placed in the invalid (I) state.</li> <li>• If the address misses in the cache, no action is taken.</li> </ul> <p>Any reservation is canceled, regardless of the address.</p>
Reserved	10110	—
Read-atomic	11010	Read atomic operations appear on the bus in response to <b>lwarx</b> instructions and generate the same snooping responses as read operations.
Read-with-intent-to-modify-atomic	11110	The RWITM atomic operations appear on the bus in response to <b>stwcx.</b> instructions and generate the same snooping responses as RWITM operations.
Reserved	00011	—
Reserved	00111	—
Read-with-no-intent-to-cache (RWNITC)	01011	<p>A RWNITC operation is issued to acquire exclusive use of a memory location with no intention of modifying the location.</p> <ul style="list-style-type: none"> <li>• If the addressed cache block is in the exclusive (E) state, the cache block remains in the exclusive (E) state.</li> <li>• If the addressed cache block is in the modified (M) state, the MPC750 asserts <math>\overline{ARTRY}</math> and initiates a push of the modified block out of the cache and the cache block is placed in the exclusive (E) state.</li> <li>• If the address misses in the cache, no action is taken.</li> </ul>
Reserved	01111	—
Reserved	1XX11	—

### 3.6.5 Transfer Attributes

In addition to the address and transfer type signals, the MPC750 supports the transfer attribute signals  $\overline{TBST}$ ,  $TSIZ[0–2]$ ,  $\overline{WT}$ ,  $\overline{CI}$ , and  $\overline{GBL}$ . The  $\overline{TBST}$  and  $TSIZ[0–2]$  signals indicate the data transfer size for the bus transaction.

The  $\overline{WT}$  signal reflects the write-through status (the complement of the W bit) for the transaction as determined by the MMU address translation during write operations.  $\overline{WT}$  is asserted for burst writes due to **dcbf** (flush) and **dcbst** (clean) instructions, and for snoop

pushes;  $\overline{WT}$  is negated for **ecowx** transactions. Since the write-through status is not meaningful for reads, the MPC750 uses the  $\overline{WT}$  signal during read transactions to indicate that the transaction is an instruction fetch ( $\overline{WT}$  negated), or not an instruction fetch ( $\overline{WT}$  asserted).

The  $\overline{CI}$  signal reflects the caching-inhibited/allowed status (the complement of the I bit) of the transaction as determined by the MMU address translation even if the L1 caches are disabled or locked.  $\overline{CI}$  is always asserted for **eciwx/ecowx** bus transactions independent of the address translation.

The  $\overline{GBL}$  signal reflects the memory coherency requirements (the complement of the M bit) of the transaction as determined by the MMU address translation. Castout and snoop copy-back operations (TT[0–4] = 00110) are generally marked as nonglobal ( $\overline{GBL}$  negated) and are not snooped (except for reservation monitoring). Other masters, however, may perform DMA write operations with this encoding but marked global ( $\overline{GBL}$  asserted) and thus must be snooped.

Table 3-6 summarizes the address and transfer attribute information presented on the bus by the MPC750 for various master or snoop-related transactions.

**Table 3-6. Address/Transfer Attribute Summary**

Bus Transaction	A[0–31]	TT[0–4]	TBST	TSIZ[0–2]	GBL	WT	CI
Instruction fetch operations:							
Burst (caching-allowed)	PA[0–28]    0b000	0 1 1 1 0	0	0 1 0	¬ M	1	1*
Single-beat read (caching-inhibited or cache disabled)	PA[0–28]    0b000	0 1 0 1 0	1	0 0 0	¬ M	1	¬ I
Data cache operations:							
Cache block fill (due to load or store miss)	PA[0–28]    0b000	A 1 1 1 0	0	0 1 0	¬ M	0	1*
Castout (normal replacement)	CA[0–26]    0b000000	0 0 1 1 0	0	0 1 0	1	1	1*
Push (cache block push due to <b>dcbf/dcbst</b> )	PA[0–26]    0b000000	0 0 1 1 0	0	0 1 0	1	0	1*
Snoop copyback	CA[0–26]    0b000000	0 0 1 1 0	0	0 1 0	1	0	1*
Data cache bypass operations:							
Single-beat read (caching-inhibited or cache disabled)	PA[0–31]	A 1 0 1 0	1	S S S	¬ M	0	¬ I
Single-beat write (caching-inhibited, write-through, or cache disabled)	PA[0–31]	0 0 0 1 0	1	S S S	¬ M	¬ W	¬ I
Special instructions:							

**Table 3-6. Address/Transfer Attribute Summary (Continued)**

Bus Transaction	A[0–31]	TT[0–4]	TB $\overline{S}$ T	TSIZ[0–2]	G $\overline{B}$ L	W $\overline{T}$	C $\overline{I}$
<b>dcbz</b> (addr-only)	PA[0–28]    0b000	0 1 1 0 0	0	0 1 0	0*	0	1*
<b>dcbi</b> (if HID0[ABE] = 1, addr-only)	PA[0–26]    0b00000	0 1 1 0 0	0	0 1 0	$\neg$ M	0	1*
<b>dcbf</b> (if HID0[ABE] = 1, addr-only)	PA[0–26]    0b00000	0 0 1 0 0	0	0 1 0	$\neg$ M	0	1*
<b>dcbst</b> (if HID0[ABE] = 1, addr-only)	PA[0–26]    0b00000	0 0 0 0 0	0	0 1 0	$\neg$ M	0	1*
<b>sync</b> (if HID0[ABE] = 1, addr-only)	0x0000_0000	0 1 0 0 0	0	0 1 0	0	0	0
<b>eiemo</b> (if HID0[ABE] = 1, addr-only)	0x0000_0000	1 0 0 0 0	0	0 1 0	0	0	0
<b>stwcx.</b> (always single-beat write)	PA[0–29]    0b00	1 0 0 1 0	1	1 0 0	$\neg$ M	$\neg$ W	$\neg$ I
<b>eciwx</b>	PA[0–29]    0b00	1 1 1 0 0	EAR[28–31]		1	0	0
<b>ecowx</b>	PA[0–29]    0b00	1 0 1 0 0	EAR[28–31]		1	1	0

**Notes:**  
 PA = Physical address, CA = Cache address.  
 W,I,M = WIM state from address translation;  $\neg$  = complement; 0\* or 1\* = WIM state implied by transaction type in table  
 For instruction fetches, reflection of the M bit must be enabled through HID0[IFEM].  
 A = Atomic; high if **lwarx**, low otherwise  
 S = Transfer size  
 Special instructions listed may not generate bus transactions depending on cache state.

### 3.7 Bus Interface

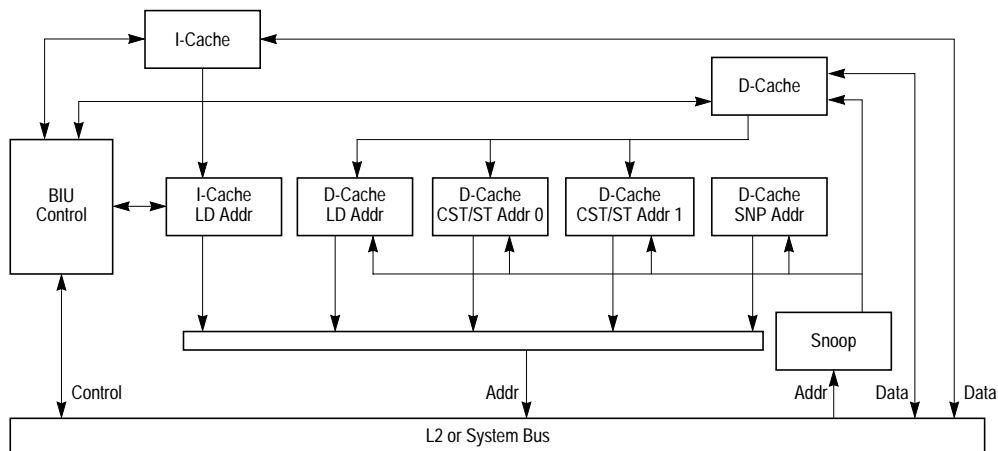
The bus interface buffers bus requests from the instruction and data caches, and executes the requests per the 60x bus protocol. It includes address register queues, prioritizing logic, and bus control logic. The bus interface also captures snoop addresses for snooping in the cache and in the address register queues, snoops for reservations, and holds the touch load address for the cache. All data storage for the address register buffers (load and store data buffers) are located in the cache section. The data buffers are considered temporary storage for the cache and not part of the bus interface.



The general functions and features of the bus interface are as follows:

- Seven address register buffers that include the following:
  - Instruction cache load address buffer
  - Data cache load address buffer
  - Two data cache castout/store address buffers (associated data block buffers located in cache)
  - Data cache snoop copy-back address buffer (associated data block buffer located in cache)
  - Reservation address buffer for snoop monitoring
- Pipeline collision detection for data cache buffers
- Reservation address snooping for **lwarx/stwcx** instructions
- One-level address pipelining
- Load ahead of store capability

A conceptual block diagram of the bus interface is shown in Figure 3-7. The address register queues in the figure hold transaction requests that the bus interface may issue on the bus independently of the other requests. The bus interface may have up to two transactions operating on the bus at any given time through the use of address pipelining.



**Figure 3-7. Bus Interface Address Buffers**

For additional information about the MPC750 bus interface and the bus protocols, refer to Chapter 8, “System Interface Operation.”

## 3.8 MEI State Transactions

Table 3-7 shows MEI state transitions for various operations. Bus operations are described in Table 3-5.

**Table 3-7. MEI State Transitions**

Operation	Cache Operation	Bus sync	WIM	Current Cache State	Next Cache State	Cache Actions	Bus Operation
Load (T = 0)	Read	No	x0x	I	Same	1 Cast out of modified block (as required)	Write-with-kill
						2 Pass four-beat read to memory queue	Read
Load (T = 0)	Read	No	x0x	E,M	Same	Read data from cache	—
Load (T = 0)	Read	No	x1x	I	Same	Pass single-beat read to memory queue	Read
Load (T = 0)	Read	No	x1x	E	I	CRTRY read	—
Load (T = 0)	Read	No	x1x	M	I	CRTRY read (push sector to write queue)	Write-with-kill
<b>lwarx</b>	Read	Acts like other reads but bus operation uses special encoding					
Store (T = 0)	Write	No	00x	I	Same	Cast out of modified block (if necessary)	Write-with-kill
						Pass RWITM to memory queue	RWITM
Store (T = 0)	Write	No	00x	E,M	M	Write data to cache	—
Store ≠ <b>stwcx.</b> (T = 0)	Write	No	10x	I	Same	Pass single-beat write to memory queue	Write-with-flush
Store ≠ <b>stwcx.</b> (T = 0)	Write	No	10x	E	Same	Write data to cache	—
						Pass single-beat write to memory queue	Write-with-flush
Store ≠ <b>stwcx.</b> (T = 0)	Write	No	10x	M	Same	CRTRY write	—
						Push block to write queue	Write-with-kill
Store (T = 0) or <b>stwcx.</b> (WIM = 10x)	Write	No	x1x	I	Same	Pass single-beat write to memory queue	Write-with-flush
Store (T = 0) or <b>stwcx.</b> (WIM = 10x)	Write	No	x1x	E	I	CRTRY write	—

**Table 3-7. MEI State Transitions (Continued)**

Operation	Cache Operation	Bus sync	WIM	Current Cache State	Next Cache State	Cache Actions	Bus Operation
Store (T = 0) or <b>stwcx.</b> (WIM = 10x)	Write	No	x1x	M	I	CRTRY write	—
						Push block to write queue	Write-with-kill
<b>stwcx.</b>	Conditional write	If the reserved bit is set, this operation is like other writes except the bus operation uses a special encoding.					
<b>dcbf</b>	Data cache block flush	No	xxx	I,E	Same	CRTRY <b>dcbf</b>	—
				Same	I	Pass flush	Flush
<b>dcbf</b>	Data cache block flush	No	xxx	M	I	State change only	—
<b>dcbf</b>	Data cache block flush	No	xxx	M	I	Push block to write queue	Write-with-kill
<b>dcbst</b>	Data cache block store	No	xxx	I,E	Same	CRTRY <b>dcbst</b>	—
				Same	Same	Pass clean	Clean
<b>dcbst</b>	Data cache block store	No	xxx	M	E	No action	—
<b>dcbst</b>	Data cache block store	No	xxx	M	E	Push block to write queue	Write-with-kill
<b>dcbz</b>	Data cache block set to zero	No	x1x	x	x	Alignment trap	—
<b>dcbz</b>	Data cache block set to zero	No	10x	x	x	Alignment trap	—
<b>dcbz</b>	Data cache block set to zero	Yes	00x	I	Same	CRTRY <b>dcbz</b>	—
						Cast out of modified block	Write-with-kill
				Pass kill	Kill		
<b>dcbz</b>	Data cache block set to zero	No	00x	Same	M	Clear block	—
<b>dcbz</b>	Data cache block set to zero	No	00x	E,M	M	Clear block	—
<b>dcbt</b>	Data cache block touch	No	x1x	I	Same	Pass single-beat read to memory queue	Read
<b>dcbt</b>	Data cache block touch	No	x1x	E	I	CRTRY read	—
<b>dcbt</b>	Data cache block touch	No	x1x	M	I	CRTRY read	—
						Push block to write queue	Write-with-kill

**Table 3-7. MEI State Transitions (Continued)**

Operation	Cache Operation	Bus sync	WIM	Current Cache State	Next Cache State	Cache Actions	Bus Operation
<b>dcbt</b>	Data cache block touch	No	x0x	I	Same	Cast out of modified block (as required)	Write-with-kill
						Pass four-beat read to memory queue	Read
<b>dcbt</b>	Data cache block touch	No	x0x	E,M	Same	No action	—
Single-beat read	Reload dump 1	No	xxx	I	Same	Forward data_in	—
Four-beat read (double-word-aligned)	Reload dump	No	xxx	I	E	Write data_in to cache	—
Four-beat write (double-word-aligned)	Reload dump	No	xxx	I	M	Write data_in to cache	—
E→I	Snoop write or kill	No	xxx	E	I	State change only (committed)	—
M→I	Snoop kill	No	xxx	M	I	State change only (committed)	—
Push M→I	Snoop flush	No	xxx	M	I	Conditionally push	Write-with-kill
Push M→E	Snoop clean	No	xxx	M	E	Conditionally push	Write-with-kill
<b>tlbie</b>	TLB invalidate	No	xxx	x	x	CRTRY TLBI	—
						Pass TLBI	—
						No action	—
<b>sync</b>	Synchronization	No	xxx	x	x	CRTRY <b>sync</b>	—
						Pass <b>sync</b>	—
						No action	—

Note that single-beat writes are not snooped in the write queue.

## Chapter 4 Exceptions

The OEA portion of the PowerPC architecture defines the mechanism by which PowerPC processors implement exceptions (referred to as interrupts in the architecture specification). Exception conditions may be defined at other levels of the architecture. For example, the UISA defines conditions that may cause floating-point exceptions; the OEA defines the mechanism by which the exception is taken.

The PowerPC exception mechanism allows the processor to change to supervisor state as a result of unusual conditions arising in the execution of instructions and from external signals, bus errors, or various internal conditions. When exceptions occur, information about the state of the processor is saved to certain registers and the processor begins execution at an address (exception vector) predetermined for each exception. Processing of exceptions begins in supervisor mode.

Although multiple exception conditions can map to a single exception vector, often a more specific condition may be determined by examining a register associated with the exception—for example, the DSISR and the floating-point status and control register (FPSCR). Also, software can explicitly enable or disable some exception conditions.

The PowerPC architecture requires that exceptions be taken in program order; therefore, although a particular implementation may recognize exception conditions out of order, they are handled strictly in order with respect to the instruction stream. When an instruction-caused exception is recognized, any unexecuted instructions that appear earlier in the instruction stream, including any that have not yet entered the execute state, are required to complete before the exception is taken. For example, if a single instruction encounters multiple exception conditions, those exceptions are taken and handled sequentially. Likewise, exceptions that are asynchronous and precise are recognized when they occur, but are not handled until all instructions currently in the execute stage successfully complete execution and report their results.

To prevent loss of state information, exception handlers must save the information stored in the machine status save/restore registers, SRR0 and SRR1, soon after the exception is taken to prevent this information from being lost due to another exception being taken. Because exceptions can occur while an exception handler routine is executing, multiple exceptions can become nested. It is up to the exception handler to save the necessary state information if control is to return to the excepting program.

In many cases, after the exception handler handles an exception, there is an attempt to execute the instruction that caused the exception. Instruction execution continues until the next exception condition is encountered. Recognizing and handling exception conditions sequentially guarantees that the machine state is recoverable and processing can resume without losing instruction results.

In this book, the following terms are used to describe the stages of exception processing:

Recognition	Exception recognition occurs when the condition that can cause an exception is identified by the processor.
Taken	An exception is said to be taken when control of instruction execution is passed to the exception handler; that is, the context is saved and the instruction at the appropriate vector offset is fetched and the exception handler routine is begun in supervisor mode.
Handling	Exception handling is performed by the software linked to the appropriate vector offset. Exception handling is begun in supervisor mode (referred to as privileged state in the architecture specification).

Note that the PowerPC architecture documentation refers to exceptions as interrupts. In this book, the term ‘interrupt’ is reserved to refer to asynchronous exceptions and sometimes to the event that causes the exception. Also, the PowerPC architecture uses the word ‘exception’ to refer to IEEE-defined floating-point exception conditions that may cause a program exception to be taken; see Section 4.5.7, “Program Exception (0x00700).” The occurrence of these IEEE exceptions may not cause an exception to be taken. IEEE-defined exceptions are referred to as IEEE floating-point exceptions or floating-point exceptions.

## 4.1 MPC750 Microprocessor Exceptions

As specified by the PowerPC architecture, exceptions can be either precise or imprecise and either synchronous or asynchronous. Asynchronous exceptions are caused by events external to the processor’s execution; synchronous exceptions are caused by instructions.

The types of exceptions are shown in Table 4-1. Note that all exceptions except for the system management interrupt, thermal management, and performance monitor exception are defined, at least to some extent, by the PowerPC architecture.

**Table 4-1. MPC750 Microprocessor Exception Classifications**

Synchronous/Asynchronous	Precise/Imprecise	Exception Types
Asynchronous, nonmaskable	Imprecise	Machine check, system reset
Asynchronous, maskable	Precise	External interrupt, decremter, system management interrupt, performance monitor interrupt, thermal management interrupt
Synchronous	Precise	Instruction-caused exceptions

These classifications are discussed in greater detail in Section 4.2, “Exception Recognition and Priorities.” For a better understanding of how the MPC750 implements precise exceptions, see Chapter 6, “Instruction Timing.” Exceptions implemented in the MPC750, and conditions that cause them, are listed in Table 4-2.

**Table 4-2. Exceptions and Conditions**

Exception Type	Vector Offset (hex)	Causing Conditions
Reserved	00000	—
System reset	00100	Assertion of either HRESET or SRESET or at power-on reset
Machine check	00200	Assertion of $\overline{TEA}$ during a data bus transaction, assertion of $\overline{MCP}$ , or an address, data, or L2 bus parity error. MSR[ME] must be set.
DSI	00300	As specified in the PowerPC architecture. For TLB misses on load, store, or cache operations, a DSI exception occurs if a page fault occurs.
ISI	00400	As defined by the PowerPC architecture
External interrupt	00500	MSR[EE] = 1 and $\overline{INT}$ is asserted
Alignment	00600	<ul style="list-style-type: none"> <li>A floating-point load/store, <b>stmw</b>, <b>stwcx.</b>, <b>lmw</b>, <b>lwarx</b>, <b>eciwx</b>, or <b>ecowx</b> instruction operand is not word-aligned.</li> <li>A multiple/string load/store operation is attempted in little-endian mode</li> <li>An operand of a <b>dcbz</b> instruction is on a page that is write-through or cache-inhibited for a virtual mode access.</li> <li>An attempt to execute a <b>dcbz</b> instruction occurs when the cache is disabled.</li> </ul>
Program	00700	As defined by the PowerPC architecture
Floating-point unavailable	00800	As defined by the PowerPC architecture
Decrementer	00900	As defined by the PowerPC architecture, when the most-significant bit of the DEC register changes from 0 to 1 and MSR[EE] = 1
Reserved	00A00–00BFF	—
System call	00C00	Execution of the System Call ( <b>sc</b> ) instruction
Trace	00D00	MSR[SE] = 1 or a branch instruction is completing and MSR[BE] = 1. The MPC750 differs from the OEA by not taking this exception on an <b>isync</b> .
Reserved	00E00	The MPC750 does not generate an exception to this vector. Other PowerPC processors may use this vector for floating-point assist exceptions.
Reserved	00E10–00EFF	—
Performance monitor	00F00	The limit specified in $PMCn$ is met and MMCR0[ENINT] = 1 (MPC750-specific)
Instruction address breakpoint	01300	IABR[0–29] matches EA[0–29] of the next instruction to complete, IABR[TE] matches MSR[IR], and IABR[BE] = 1 (MPC750-specific)
System management interrupt	01400	MSR[EE] = 1 and $\overline{SMI}$ is asserted (MPC750-specific)

**Table 4-2. Exceptions and Conditions (Continued)**

Exception Type	Vector Offset (hex)	Causing Conditions
Reserved	01500–016FF	—
Thermal management interrupt	01700	Thermal management is enabled, junction temperature exceeds the threshold specified in THRM1 or THRM2, and MSR[EE] = 1 (MPC750-specific)
Reserved	01800–02FFF	—

## 4.2 Exception Recognition and Priorities

Exceptions are roughly prioritized by exception class, as follows:

1. Nonmaskable, asynchronous exceptions have priority over all other exceptions—system reset and machine check exceptions (although the machine check exception condition can be disabled so the condition causes the processor to go directly into the checkstop state). These exceptions cannot be delayed and do not wait for completion of any precise exception handling.
2. Synchronous, precise exceptions are caused by instructions and are taken in strict program order.
3. Imprecise exceptions (imprecise mode floating-point enabled exceptions) are caused by instructions and they are delayed until higher priority exceptions are taken. Note that the MPC750 does not implement an exception of this type.
4. Maskable asynchronous exceptions (external, decrementer, thermal management, system management, performance monitor, and interrupt exceptions) are delayed until higher priority exceptions are taken.

The following list of exception categories describes how the MPC750 handles exceptions up to the point of signaling the appropriate interrupt to occur. Note that a recoverable state is reached if the completed store queue is empty (drained, not canceled) and any instruction that is next in program order and has been signaled to complete has completed. If MSR[RI] = 0, the MPC750 is in a nonrecoverable state. Also, instruction completion is defined as updating all architectural registers associated with that instruction, and then removing that instruction from the completion buffer.

- Exceptions caused by asynchronous events (interrupts). These exceptions are further distinguished by whether they are maskable and recoverable.
  - Asynchronous, nonmaskable, nonrecoverable
    - System reset for assertion of  $\overline{\text{HRESET}}$ —Has highest priority and is taken immediately regardless of other pending exceptions or recoverability. (Includes power-on reset)



- Asynchronous, maskable, nonrecoverable
 

Machine check exception—Has priority over any other pending exception except system reset for assertion of  $\overline{\text{HRESET}}$ . Taken immediately regardless of recoverability.
- Asynchronous, nonmaskable, recoverable
 

System reset for  $\overline{\text{SRESET}}$ —Has priority over any other pending exception except system reset for  $\overline{\text{HRESET}}$  (or power-on reset), or machine check. Taken immediately when a recoverable state is reached.
- Asynchronous, maskable, recoverable
 

System management, performance monitor, thermal management, external, and decremter interrupts—Before handling this type of exception, the next instruction in program order must complete. If that instruction causes another type of exception, that exception is taken and the asynchronous, maskable recoverable exception remains pending, until the instruction completes. Further instruction completion is halted. The asynchronous, maskable recoverable exception is taken when a recoverable state is reached.
- Instruction-related exceptions. These exceptions are further organized into the point in instruction processing in which they generate an exception.
  - Instruction fetch
 

ISI exceptions—Once this type of exception is detected, dispatching stops and the current instruction stream is allowed to drain out of the machine. If completing any of the instructions in this stream causes an exception, that exception is taken and the instruction fetch exception is discarded (but may be encountered again when instruction processing resumes). Otherwise, once all pending instructions have executed and a recoverable state is reached, the ISI exception is taken.
  - Instruction dispatch/execution
 

Program, DSI, alignment, floating-point unavailable, system call, and instruction address breakpoint—This type of exception is determined during dispatch or execution of an instruction. The exception remains pending until all instructions before the exception-causing instruction in program order complete. The exception is then taken without completing the exception-causing instruction. If completing these previous instructions causes an exception, that exception takes priority over the pending instruction dispatch/execution exception, which is then discarded (but may be encountered again when instruction processing resumes).
  - Post-instruction execution
 

Trace—Trace exceptions are generated following execution and completion of an instruction while trace mode is enabled. If executing the instruction produces conditions for another type of exception, that exception is taken and the post-instruction exception is forgotten for that instruction.

Note that these exception classifications correspond to how exceptions are prioritized, as described in Table 4-3.

**Table 4-3. MPC750 Exception Priorities**

Priority	Exception	Cause
<b>Asynchronous Exceptions (Interrupts)</b>		
0	System reset	Power on reset, assertion of $\overline{\text{HRESET}}$ and $\overline{\text{TRST}}$ (hard reset)
1	Machine check	Any enabled machine check condition (L1 address or data parity error, L2 data parity error, assertion of TEA or MCP)
2	System reset	Assertion of $\overline{\text{SRESET}}$ (soft reset)
3	System management	Assertion of $\overline{\text{SMI}}$
4	External interrupt	Assertion of $\overline{\text{INT}}$
5	Performance monitor	Any programmer-specified performance monitor condition
6	Decrementer	Decrementer passes through zero
7	Thermal management	Any programmer-specified thermal management condition
<b>Instruction Fetch Exceptions</b>		
0	ISI	Any ISI exception condition
<b>Instruction Dispatch/Execution Exceptions</b>		
0	Instruction address breakpoint	Any instruction address breakpoint exception condition
1	Program	Occurrence of an illegal instruction, privileged instruction, or trap exception condition. Note that floating-point enabled program exceptions have lower priority.
2	System call	System Call ( <b>sc</b> ) instruction
3	Floating-point unavailable	Any floating-point unavailable exception condition
4	Program	A floating-point enabled exception condition (lowest-priority program exception)
5	DSI	DSI exception due to <b>eciwx</b> , <b>ecowx</b> with $\text{EAR}[E] = 0$ (DSISR[11]). Lower priority DSI exception conditions are shown below.
6	Alignment	Any alignment exception condition, prioritized as follows: 1 Floating-point access not word-aligned 2 <b>lmw</b> , <b>stmw</b> , <b>lwarx</b> , <b>stwcx</b> . not word-aligned 3 <b>eciwx</b> or <b>ecowx</b> not word-aligned 4 Multiple or string access with MSR[LE] set 5 <b>dcbz</b> to write-through or cache-inhibited page or cache is disabled
7	DSI	BAT page protection violation
8	DSI	Any access except cache operations to a segment where $\text{SR}[T] = 1$ (DSISR[5]) or an access crosses from a $T = 0$ segment to one where $T = 1$ (DSISR[5])
9	DSI	TLB page protection violation
10	DSI	DABR address match

**Table 4-3. MPC750 Exception Priorities (Continued)**

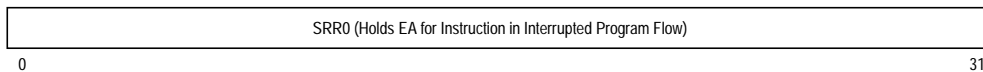
Priority	Exception	Cause
<b>Post-Instruction Execution Exceptions</b>		
11	Trace	MSR[SE] = 1 (or MSR[BE] = 1 for branches)

System reset and machine check exceptions may occur at any time and are not delayed even if an exception is being handled. As a result, state information for an interrupted exception may be lost; therefore, these exceptions are typically nonrecoverable. An exception may not be taken immediately when it is recognized.

### 4.3 Exception Processing

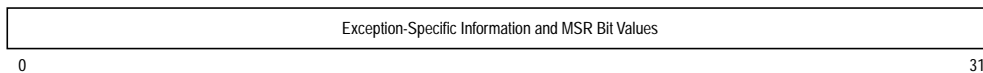
When an exception is taken, the processor uses SRR0 and SRR1 to save the contents of the MSR for the current context and to identify where instruction execution should resume after the exception is handled.

When an exception occurs, the address saved in SRR0 helps determine where instruction processing should resume when the exception handler returns control to the interrupted process. Depending on the exception, this may be the address in SRR0 or at the next address in the program flow. All instructions in the program flow preceding this one will have completed execution and no subsequent instruction will have begun execution. This may be the address of the instruction that caused the exception or the next one (as in the case of a system call, trace, or trap exception). The SRR0 register is shown in Figure 4-1.



**Figure 4-1. Machine Status Save/Restore Register 0 (SRR0)**

SRR1 is used to save machine status (selected MSR bits and possibly other status bits as well) on exceptions and to restore those values when an **rfi** instruction is executed. SRR1 is shown in Figure 4-2.

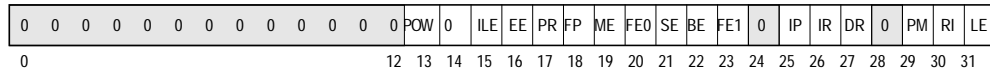


**Figure 4-2. Machine Status Save/Restore Register 1 (SRR1)**

For most exceptions, bits 2–4 and 10–12 of SRR1 are loaded with exception-specific information and MSR[5–9, 16–31] are placed into the corresponding bit positions of SRR1.

The MPC750’s MSR is shown in Figure 4-3.

Reserved



**Figure 4-3. Machine State Register (MSR)**

The MSR bits are defined in Table 4-4.

**Table 4-4. MSR Bit Settings**

Bit(s)	Name	Description
0	—	Reserved. Full function. <sup>1</sup>
1–4	—	Reserved. Partial function. <sup>1</sup>
5–9	—	Reserved. Full function. <sup>1</sup>
10–12	—	Reserved. Partial function. <sup>1</sup>
13	POW	Power management enable 0 Power management disabled (normal operation mode). 1 Power management enabled (reduced power mode). Power management functions are implementation-dependent. See Chapter 10, “Power and Thermal Management.”
14	—	Reserved. Implementation-specific
15	ILE	Exception little-endian mode. When an exception occurs, this bit is copied into MSR[LE] to select the endian mode for the context established by the exception.
16	EE	External interrupt enable 0 The processor delays recognition of external interrupts and decremter exception conditions. 1 The processor is enabled to take an external interrupt or the decremter exception.
17	PR	Privilege level 0 The processor can execute both user- and supervisor-level instructions. 1 The processor can only execute user-level instructions.
18	FP	Floating-point available 0 The processor prevents dispatch of floating-point instructions, including floating-point loads, stores, and moves. 1 The processor can execute floating-point instructions and can take floating-point enabled program exceptions.
19	ME	Machine check enable 0 Machine check exceptions are disabled. 1 Machine check exceptions are enabled.
20	FE0	IEEE floating-point exception mode 0 (see Table 4-5).
21	SE	Single-step trace enable 0 The processor executes instructions normally. 1 The processor generates a single-step trace exception upon the successful execution of every instruction except <b>rfi</b> , <b>isync</b> , and <b>sc</b> . Successful execution means that the instruction caused no other exception.

**Table 4-4. MSR Bit Settings (Continued)**

Bit(s)	Name	Description
22	BE	Branch trace enable 0 The processor executes branch instructions normally. 1 The processor generates a branch type trace exception when a branch instruction executes successfully.
23	FE1	IEEE floating-point exception mode 1 (see Table 4-5).
24	—	Reserved. This bit corresponds to the AL bit of the POWER architecture.
25	IP	Exception prefix. The setting of this bit specifies whether an exception vector offset is prepended with Fs or 0s. In the following description, <i>nnnn</i> is the offset of the exception. 0 Exceptions are vectored to the physical address 0x000 <i>n_nnnn</i> . 1 Exceptions are vectored to the physical address 0xFFFF <i>n_nnnn</i> .
26	IR	Instruction address translation 0 Instruction address translation is disabled. 1 Instruction address translation is enabled. For more information see Chapter 5, “Memory Management.”
27	DR	Data address translation 0 Data address translation is disabled. 1 Data address translation is enabled. For more information see Chapter 5, “Memory Management.”
28	—	Reserved. Full function <sup>1</sup>
29	PM	Performance monitor marked mode 0 Process is not a marked process. 1 Process is a marked process. MPC750-specific; defined as reserved by the PowerPC architecture. For more information about the performance monitor, see Section 4.5.13, “Performance Monitor Interrupt (0x00F00).”
30	RI	Indicates whether system reset or machine check exception is recoverable. 0 Exception is not recoverable. 1 Exception is recoverable. The RI bit indicates whether from the perspective of the processor, it is safe to continue (that is, processor state data such as that saved to SRR0 is valid), but it does not guarantee that the interrupted process is recoverable.
31	LE	Little-endian mode enable 0 The processor runs in big-endian mode. 1 The processor runs in little-endian mode.

**Note:**

<sup>1</sup>Full function reserved bits are saved in SRR1 when an exception occurs; partial function reserved bits are not saved.

The IEEE floating-point exception mode bits (FE0 and FE1) together define whether floating-point exceptions are handled precisely, imprecisely, or whether they are taken at all. As shown in Table 4-5, if either FE0 or FE1 are set, theMPC750 treats exceptions as precise. MSR bits are guaranteed to be written to SRR1 when the first instruction of the exception handler is encountered. For further details, see Chapter 6, “Exceptions,” of *The Programming Environments Manual*.

**Table 4-5. IEEE Floating-Point Exception Mode Bits**

FE0	FE1	Mode
0	0	Floating-point exceptions disabled
0	1	Imprecise nonrecoverable. For this setting, the MPC750 operates in floating-point precise mode.
1	0	Imprecise recoverable. For this setting, the MPC750 operates in floating-point precise mode.
1	1	Floating-point precise mode

### 4.3.1 Enabling and Disabling Exceptions

When a condition exists that may cause an exception to be generated, it must be determined whether the exception is enabled for that condition.

- IEEE floating-point enabled exceptions (a type of program exception) are ignored when both MSR[FE0] and MSR[FE1] are cleared. If either bit is set, all IEEE enabled floating-point exceptions are taken and cause a program exception.
- Asynchronous, maskable exceptions (such as the external and decremter interrupts) are enabled by setting MSR[EE]. When MSR[EE] = 0, recognition of these exception conditions is delayed. MSR[EE] is cleared automatically when an exception is taken to delay recognition of conditions causing those exceptions.
- A machine check exception can occur only if the machine check enable bit, MSR[ME], is set. If MSR[ME] is cleared, the processor goes directly into checkstop state when a machine check exception condition occurs. Individual machine check exceptions can be enabled and disabled through bits in the HIDE register, which is described in Table 4-8.
- System reset exceptions cannot be masked.

### 4.3.2 Steps for Exception Processing

After it is determined that the exception can be taken (by confirming that any instruction-caused exceptions occurring earlier in the instruction stream have been handled, and by confirming that the exception is enabled for the exception condition), the processor does the following:

1. SRR0 is loaded with an instruction address that depends on the type of exception. See the individual exception description for details about how this register is used for specific exceptions.
2. SRR1[1–4, 10–15] are loaded with information specific to the exception type.
3. SRR1[5–9, 16–31] are loaded with a copy of the corresponding MSR bits. Depending on the implementation, reserved bits may not be copied.

4. The MSR is set as described in Table 4-4. The new values take effect as the first instruction of the exception-handler routine is fetched.

Note that MSR[IR] and MSR[DR] are cleared for all exception types; therefore, address translation is disabled for both instruction fetches and data accesses beginning with the first instruction of the exception-handler routine.

5. Instruction fetch and execution resumes, using the new MSR value, at a location specific to the exception type. The location is determined by adding the exception's vector (see Table 4-2) to the base address determined by MSR[IP]. If IP is cleared, exceptions are vectored to the physical address 0x000n\_nnnn. If IP is set, exceptions are vectored to the physical address 0xFFFn\_nnnn. For a machine check exception that occurs when MSR[ME] = 0 (machine check exceptions are disabled), the checkstop state is entered (the machine stops executing instructions). See Section 4.5.2, “Machine Check Exception (0x00200).”

### 4.3.3 Setting MSR[RI]

An operating system may handle MSR[RI] as follows:

- In the machine check and system reset exceptions—If MSR[RI] is cleared, the exception is not recoverable. If it is set, the exception is recoverable with respect to the processor.
- In each exception handler—When enough state information has been saved that a machine check or system reset exception can reconstruct the previous state, set MSR[RI].
- In each exception handler—Clear MSR[RI], set SRR0 and SRR1 appropriately, and then execute **rfi**.
- Note that the RI bit being set indicates that, with respect to the processor, enough processor state data remains valid for the processor to continue, but it does not guarantee that the interrupted process can resume.

### 4.3.4 Returning from an Exception Handler

The Return from Interrupt (**rfi**) instruction performs context synchronization by allowing previously-issued instructions to complete before returning to the interrupted process. In general, execution of the **rfi** instruction ensures the following:

- All previous instructions have completed to a point where they can no longer cause an exception. If a previous instruction causes a direct-store interface error exception, the results must be determined before this instruction is executed.
- Previous instructions complete execution in the context (privilege, protection, and address translation) under which they were issued.
- The **rfi** instruction copies SRR1 bits back into the MSR.
- Instructions fetched after this instruction execute in the context established by this instruction.
- Program execution resumes at the instruction indicated by SRR0

For a complete description of context synchronization, refer to Chapter 6, “Exceptions,” of *The Programming Environments Manual*.

## 4.4 Process Switching

The following instructions are useful for restoring proper context during process switching:

- The **sync** instruction orders the effects of instruction execution. All instructions previously initiated appear to have completed before the **sync** instruction completes, and no subsequent instructions appear to be initiated until the **sync** instruction completes. For an example showing use of **sync**, see Chapter 2, “PowerPC Register Set,” of *The Programming Environments Manual*.
- The **isync** instruction waits for all previous instructions to complete and then discards any fetched instructions, causing subsequent instructions to be fetched (or refetched) from memory and to execute in the context (privilege, translation, and protection) established by the previous instructions.
- The **stwx.** instruction clears any outstanding reservations, ensuring that an **lwarx** instruction in an old process is not paired with an **stwx.** instruction in a new one.

The operating system should set MSR[RI] as described in Section 4.3.3, “Setting MSR[RI].”

## 4.5 Exception Definitions

Table 4-6 shows all the types of exceptions that can occur with the MPC750 and MSR settings when the processor goes into supervisor mode due to an exception. Depending on the exception, certain of these bits are stored in SRR1 when an exception is taken.

**Table 4-6. MSR Setting Due to Exception**

Exception Type	MSR Bit															
	POW	ILE	EE	PR	FP	ME	FE0	SE	BE	FE1	IP	IR	DR	PM	RI	LE
System reset	0	—	0	0	0	—	0	0	0	0	—	0	0	0	0	ILE
Machine check	0	—	0	0	0	0	0	0	0	0	—	0	0	0	0	ILE
DSI	0	—	0	0	0	—	0	0	0	0	—	0	0	0	0	ILE
ISI	0	—	0	0	0	—	0	0	0	0	—	0	0	0	0	ILE
External interrupt	0	—	0	0	0	—	0	0	0	0	—	0	0	0	0	ILE
Alignment	0	—	0	0	0	—	0	0	0	0	—	0	0	0	0	ILE
Program	0	—	0	0	0	—	0	0	0	0	—	0	0	0	0	ILE
Floating-point unavailable	0	—	0	0	0	—	0	0	0	0	—	0	0	0	0	ILE
Decrementer interrupt	0	—	0	0	0	—	0	0	0	0	—	0	0	0	0	ILE
System call	0	—	0	0	0	—	0	0	0	0	—	0	0	0	0	ILE



**Table 4-6. MSR Setting Due to Exception (Continued)**

Exception Type	MSR Bit															
	POW	ILE	EE	PR	FP	ME	FE0	SE	BE	FE1	IP	IR	DR	PM	RI	LE
Trace exception	0	—	0	0	0	—	0	0	0	0	—	0	0	0	0	ILE
System management	0	—	0	0	0	—	0	0	0	0	—	0	0	0	0	ILE
Performance monitor	0	—	0	0	0	—	0	0	0	0	—	0	0	0	0	ILE
Thermal management	0	—	0	0	0	—	0	0	0	0	—	0	0	0	0	ILE

0 Bit is cleared.  
 ILE Bit is copied from the MSR[ILE].  
 — Bit is not altered  
 Reserved bits are read as if written as 0.

The setting of the exception prefix bit (IP) determines how exceptions are vectored. If the bit is cleared, exceptions are vectored to the physical address 0x000n\_nnnn (where nnnnn is the vector offset); if IP is set, exceptions are vectored to physical address 0xFFFFn\_nnnn. Table 4-2 shows the exception vector offset of the first instruction of the exception handler routine for each exception type.

#### 4.5.1 System Reset Exception (0x00100)

The MPC750 implements the system reset exception as defined in the PowerPC architecture (OEA). The system reset exception is a nonmaskable, asynchronous exception signaled to the processor through the assertion of system-defined signals. In the MPC750, the exception is signaled by the assertion of either the SRESET or HRESET inputs, described more fully in Chapter 7, “Signal Descriptions.”

Table 4-7 lists register settings when a system reset exception is taken.

**Table 4-7. System Reset Exception—Register Settings**

Register	Setting Description
SRR0	Set to the effective address of the instruction that the processor would have attempted to execute next if no exception conditions were present.
SRR1	0 Loaded with equivalent MSR bits 1–4 Cleared 5–9 Loaded with equivalent MSR bits 10–15 Cleared 16–31 Loaded with equivalent MSR bits Note that if the processor state is corrupted to the extent that execution cannot resume reliably, MSR[RI] (SRR1[30]) is cleared.
MSR	POW 0                      FP 0                      BE 0                      DR 0 ILE —                      ME —                      FE1 0                      PM 0 EE 0                      FE0 0                      IP —                      RI 0 PR 0                      SE 0                      IR 0                      LE Set to value of ILE

If  $\overline{\text{SRESET}}$  is asserted, the processor is first put in a recoverable state. To do this, the MPC750 allows any instruction at the point of completion to either complete or take an exception, blocks completion of any following instructions and allows the completion queue to drain. The state before the exception occurred is then saved as specified in the PowerPC architecture and instruction fetching begins at the system reset interrupt vector offset, 0x00100. The vector address on a soft reset depends on the setting of MSR[IP] (either 0x0000\_0100 or 0xFFFF0\_0100). Soft resets are third in priority, after hard reset and machine check. This exception is recoverable provided attaining a recoverable state does not generate a machine check.

$\overline{\text{SRESET}}$  is an edge-sensitive signal that can be asserted and deasserted asynchronously, provided the minimum pulse width specified in the hardware specifications is met. Asserting  $\overline{\text{SRESET}}$  causes the MPC750 to take a system reset exception. This exception modifies the MSR, SRR0, and SRR1, as described in *The Programming Environments Manual*. Unlike hard reset, soft reset does not directly affect the states of output signals. Attempts to use  $\overline{\text{SRESET}}$  during a hard reset sequence or while the JTAG logic is non-idle cause unpredictable results.

A hard reset is initiated by asserting  $\overline{\text{HRESET}}$ . Hard reset is used primarily for power-on reset (POR) (in which case  $\overline{\text{TRST}}$  must also be asserted), but can also be used to restart a running processor. The  $\overline{\text{HRESET}}$  signal must be asserted during power up and must remain asserted for a period that allows the PLL to achieve lock and the internal logic to be reset. This period is specified in the hardware specifications. The MPC750 internal state after the hard reset interval is defined in Table 2-19. If  $\overline{\text{HRESET}}$  is asserted for less than this amount of time, the results are not predictable. If  $\overline{\text{HRESET}}$  is asserted during normal operation, all operations cease and the machine state is lost.

The MPC750 implements HID0[NHR], which helps software distinguish a hard reset from a soft reset. Because this bit is cleared by a hard reset, but not by a soft reset, software can set this bit after a hard reset and tell whether a subsequent reset is a hard or soft reset by examining whether this bit is still set. See Section 2.1.2.2, “Hardware Implementation-Dependent Register 0.”

#### **4.5.2 Machine Check Exception (0x00200)**

The MPC750 implements the machine check exception as defined in the PowerPC architecture (OEA). It conditionally initiates a machine check exception after an address or data parity error occurred on the bus or in either the L1 or L2 cache, after receiving a qualified transfer error acknowledge ( $\overline{\text{TEA}}$ ) indication on the MPC750 bus, or after the machine check interrupt ( $\overline{\text{MCP}}$ ) signal had been asserted. As defined in the OEA, the exception is not taken if MSR[ME] is cleared, in which case the processor enters checkstop state.

Certain machine check conditions can be enabled and disabled using HID0 bits, as described in Table 4-8.

**Table 4-8. HID0 Machine Check Enable Bits**

Bit	Name	Function
0	EMCP	Enable $\overline{MCP}$ . The primary purpose of this bit is to mask out further machine check exceptions caused by assertion of $\overline{MCP}$ , similar to how MSR[EE] can mask external interrupts. 0 Masks $\overline{MCP}$ . Asserting $\overline{MCP}$ does not generate a machine check exception or a checkstop. 1 Asserting $\overline{MCP}$ causes a checkstop if MSR[ME] = 0 or a machine check exception if MSR[ME] = 1.
1	DBP	Enable/disable 60x bus address and data parity generation. 0 If address or data parity is not used by the system and the respective parity checking is disabled (HID0[EBA] or HID0[EBD] = 0), input receivers for those signals are disabled, do not require pull-up resistors, and therefore should be left unconnected. If all parity generation is disabled, all parity checking should also be disabled and parity signals need not be connected. 1 Parity generation is enabled.
2	EBA	Enable/disable 60x bus address parity checking. 0 Prevents address parity checking. 1 Allows a address parity error to cause a checkstop if MSR[ME] = 0 or a machine check exception if MSR[ME] = 1. EBA and EBD allow the processor to operate with memory subsystems that do not generate parity.
3	EBD	Enable 60x bus data parity checking 0 Parity checking is disabled. 1 Allows a data parity error to cause a checkstop if MSR[ME] = 0 or a machine check exception if MSR[ME] = 1. EBA and EBD allow the processor to operate with memory subsystems that do not generate parity.
15	NHR	Not hard reset (software use only) 0 A hard reset occurred if software had previously set this bit 1 A hard reset has not occurred.

A  $\overline{TEA}$  indication on the bus can result from any load or store operation initiated by the processor. In general,  $\overline{TEA}$  is expected to be used by a memory controller to indicate that a memory parity error or an uncorrectable memory ECC error has occurred. Note that the resulting machine check exception is imprecise and unordered with respect to the instruction that originated the bus operation.

If MSR[ME] and the appropriate HID0 bits are set, the exception is recognized and handled; otherwise, the processor generates an internal checkstop condition. When a processor is in checkstop state, instruction processing is suspended and generally cannot continue without restarting the processor. Note that many conditions may lead to the checkstop condition; the disabled machine check exception is only one of these.

A machine check exception may result from referencing a nonexistent physical address, either directly (with MSR[DR] = 0) or through an invalid translation. If a **dcbz** instruction introduces a block into the cache associated with a nonexistent physical address, a machine check exception can be delayed until an attempt is made to store that block to main memory. Not all PowerPC processors provide the same level of error checking. Checkstop sources are implementation-dependent.

Machine check exceptions are enabled when  $MSR[ME] = 1$ ; this is described in the following section, Section 4.5.2.1, “Machine Check Exception Enabled ( $MSR[ME] = 1$ ).” If  $MSR[ME] = 0$  and a machine check occurs, the processor enters the checkstop state. Checkstop state is described in Section 4.5.2.2, “Checkstop State ( $MSR[ME] = 0$ ).”

#### 4.5.2.1 Machine Check Exception Enabled ( $MSR[ME] = 1$ )

Machine check exceptions are enabled when  $MSR[ME] = 1$ . When a machine check exception is taken, registers are updated as shown in Table 4-9.

**Table 4-9. Machine Check Exception—Register Settings**

Register	Setting Description
SRR0	On a best-effort basis the MPC750 can set this to an EA of some instruction that was executing or about to be executing when the machine check condition occurred.
SRR1	0–10 Cleared 11 Set when an L2 data cache parity error is detected, otherwise zero 12 Set when $\overline{MCP}$ signal is asserted, otherwise zero 13 Set when $\overline{TEA}$ signal is asserted, otherwise zero 14 Set when a data bus parity error is detected, otherwise zero 15 Set when an address bus parity error is detected, otherwise zero 16–31 MSR[16–31]
MSR	POW 0                      FP 0                      BE 0                      DR 0 ILE —                      ME 0                      FE1 0                      PM 0 EE 0                      FE0 0                      IP —                      RI 0 PR 0                      SE 0                      IR 0                      LE Set to value of ILE

Note that to handle another machine check exception, the exception handler should set  $MSR[ME]$  as soon as it is practical after a machine check exception is taken. Otherwise, subsequent machine check exceptions cause the processor to enter the checkstop state.

The machine check exception is usually unrecoverable in the sense that execution cannot resume in the context that existed before the exception. If the condition that caused the machine check does not otherwise prevent continued execution,  $MSR[ME]$  is set to allow the processor to continue execution at the machine check exception vector address. Typically, earlier processes cannot resume; however, operating systems can use the machine check exception handler to try to identify and log the cause of the machine check condition.

When a machine check exception is taken, instruction fetching resumes at offset 0x00200 from the physical base address indicated by  $MSR[IP]$ .

#### 4.5.2.2 Checkstop State ( $MSR[ME] = 0$ )

If  $MSR[ME] = 0$  and a machine check occurs, the processor enters the checkstop state.

When a processor is in checkstop state, instruction processing is suspended and generally cannot resume without the processor being reset. The contents of all latches are frozen within two cycles upon entering checkstop state.

### 4.5.3 DSI Exception (0x00300)

A DSI exception occurs when no higher priority exception exists and an error condition related to a data memory access occurs. The DSI exception is implemented as it is defined in the PowerPC architecture (OEA). In case of a TLB miss for a load, store, or cache operation, a DSI exception is taken if the resulting hardware table search causes a page fault.

On the MPC750, a DSI exception is taken when a load or store is attempted to a direct-store segment ( $SR[T] = 1$ ). In the MPC750, a floating-point load or store to a direct-store segment causes a DSI exception rather than an alignment exception, as specified by the PowerPC architecture.

The MPC750 also implements the data address breakpoint facility, which is defined as optional in the PowerPC architecture and is supported by the optional data address breakpoint register (DABR). Although the architecture does not strictly prescribe how this facility must be implemented, the MPC750 follows the recommendations provided by the architecture and described in the Chapter 2, “Programming Model,” and Chapter 6 “Exceptions,” in *The Programming Environments Manual*.

### 4.5.4 ISI Exception (0x00400)

An ISI exception occurs when no higher priority exception exists and an attempt to fetch the next instruction fails. This exception is implemented as it is defined by the PowerPC architecture (OEA), and is taken for the following conditions:

- The effective address cannot be translated.
- The fetch access is to a no-execute segment ( $SR[N] = 1$ ).
- The fetch access is to guarded storage and  $MSR[IR] = 1$ .
- The fetch access is to a segment for which  $SR[T]$  is set.
- The fetch access violates memory protection.

When an ISI exception is taken, instruction fetching resumes at offset 0x00400 from the physical base address indicated by  $MSR[IP]$ .

### 4.5.5 External Interrupt Exception (0x00500)

An external interrupt is signaled to the processor by the assertion of the external interrupt signal ( $\overline{INT}$ ). The  $\overline{INT}$  signal is expected to remain asserted until the MPC750 takes the external interrupt exception. If  $\overline{INT}$  is negated early, recognition of the interrupt request is not guaranteed. After the MPC750 begins execution of the external interrupt handler, the system can safely negate the  $\overline{INT}$ . When the MPC750 detects assertion of  $\overline{INT}$ , it stops dispatching and waits for all pending instructions to complete. This allows any instructions in progress that need to take an exception to do so before the external interrupt is taken. After all instructions have vacated the completion buffer, the MPC750 takes the external interrupt exception as defined in the PowerPC architecture (OEA).

An external interrupt may be delayed by other higher priority exceptions or if MSR[EE] is cleared when the exception occurs. Register settings for this exception are described in Chapter 6, “Exceptions,” in *The Programming Environments Manual*.

When an external interrupt exception is taken, instruction fetching resumes at offset 0x00500 from the physical base address indicated by MSR[IP].

#### 4.5.6 Alignment Exception (0x00600)

The MPC750 implements the alignment exception as defined by the PowerPC architecture (OEA). An alignment exception is initiated when any of the following occurs:

- The operand of a floating-point load or store is not word-aligned.
- The operand of **lmw**, **stmw**, **lwarx**, or **stwx** is not word-aligned.
- The operand of **dcbz** is in a page that is write-through or cache-inhibited.
- An attempt is made to execute **dcbz** when the data cache is disabled.
- An **eciwx** or **ecowx** is not word-aligned
- A multiple or string access is attempted with MSR[LE] set

Note that in the MPC750, a floating-point load or store to a direct-store segment causes a DSI exception rather than an alignment exception, as specified by the PowerPC architecture. For more information, see 4.5.3, “DSI Exception (0x00300).”

#### 4.5.7 Program Exception (0x00700)

The MPC750 implements the program exception as it is defined by the PowerPC architecture (OEA). A program exception occurs when no higher priority exception exists and one or more of the exception conditions defined in the OEA occur.

The MPC750 invokes the system illegal instruction program exception when it detects any instruction from the illegal instruction class. The MPC750 fully decodes the SPR field of the instruction. If an undefined SPR is specified, a program exception is taken.

The UISA defines **mtspr** and **mfspr** with the record bit (Rc) set as causing a program exception or giving a boundedly-undefined result. In the MPC750, the appropriate condition register (CR) should be treated as undefined. Likewise, the PowerPC architecture states that the Floating Compared Unordered (**fcmpu**) or Floating Compared Ordered (**fcmpo**) instruction with the record bit set can either cause a program exception or provide a boundedly-undefined result. In the MPC750, an the BF field in an instruction encoding for these cases is considered undefined.

The MPC750 does not support either of the two floating-point imprecise modes supported by the PowerPC architecture. Unless exceptions are disabled (MSR[FE0] = MSR[FE1] = 0), all floating-point exceptions are treated as precise.

When a program exception is taken, instruction fetching resumes at offset 0x00700 from the physical base address indicated by MSR[IP]. Chapter 6, “Exceptions,” in *The Programming Environments Manual* describes register settings for this exception.

#### **4.5.8 Floating-Point Unavailable Exception (0x00800)**

The floating-point unavailable exception is implemented as defined in the PowerPC architecture. A floating-point unavailable exception occurs when no higher priority exception exists, an attempt is made to execute a floating-point instruction (including floating-point load, store, or move instructions), and the floating-point available bit in the MSR is disabled, (MSR[FP] = 0). Register settings for this exception are described in Chapter 6, “Exceptions,” in *The Programming Environments Manual*.

When a floating-point unavailable exception is taken, instruction fetching resumes at offset 0x00800 from the physical base address indicated by MSR[IP].

#### **4.5.9 Decrementer Exception (0x00900)**

The decrementer exception is implemented in the MPC750 as it is defined by the PowerPC architecture. The decrementer exception occurs when no higher priority exception exists, a decrementer exception condition occurs (for example, the decrementer register has completed decrementing), and MSR[EE] = 1. In the MPC750, the decrementer register is decremented at one fourth the bus clock rate. Register settings for this exception are described in Chapter 6, “Exceptions,” in *The Programming Environments Manual*.

When a decrementer exception is taken, instruction fetching resumes at offset 0x00900 from the physical base address indicated by MSR[IP].

#### **4.5.10 System Call Exception (0x00C00)**

A system call exception occurs when a System Call (sc) instruction is executed. In the MPC750, the system call exception is implemented as it is defined in the PowerPC architecture. Register settings for this exception are described in Chapter 6, “Exceptions,” in *The Programming Environments Manual*.

When a system call exception is taken, instruction fetching resumes at offset 0x00C00 from the physical base address indicated by MSR[IP].

#### **4.5.11 Trace Exception (0x00D00)**

The trace exception is taken if MSR[SE] = 1 or if MSR[BE] = 1 and the currently completing instruction is a branch. Each instruction considered during trace mode completes before a trace exception is taken. When a trace exception is taken, the values written to SRR1 are implementation-specific; those values for the MPC750 are shown in Table 4-10.

**Table 4-10. Trace Exception—SRR1 Settings**

Register	Setting
SRR1	0–2 010
	3 Set for a load instruction, otherwise cleared
	4 Set for a store instruction, otherwise cleared
	5–9 Cleared
	10 Set for <b>lswx</b> or <b>stswx</b> , otherwise cleared
	11 Set for <b>mtspr</b> to SDR1, EAR, HID0, PIR, IBATs, DBATs, SRs
	12 Set for taken branch, otherwise cleared
	13–15 Cleared
	16–31 MSR[16–31]

**Implementation Note**—The MPC750 processor diverges from the PowerPC architecture in that it does not take trace exceptions on the **isync** instruction.

When a trace exception is taken, instruction fetching resumes as offset 0x00D00 from the base address indicated by MSR[IP].

#### 4.5.12 Floating-Point Assist Exception (0x00E00)

The optional floating-point assist exception defined by the PowerPC architecture is not implemented in the MPC750.

#### 4.5.13 Performance Monitor Interrupt (0x00F00)

The MPC750 microprocessor provides a performance monitor facility to monitor and count predefined events such as processor clocks, misses in either the instruction cache or the data cache, instructions dispatched to a particular execution unit, mispredicted branches, and other occurrences. The count of such events can be used to trigger the performance monitor exception. The performance monitor facility is not defined by the PowerPC architecture.

The performance monitor can be used for the following:

- To increase system performance with efficient software, especially in a multiprocessing system. Memory hierarchy behavior must be monitored and studied to develop algorithms that schedule tasks (and perhaps partition them) and that structure and distribute data optimally.
- To help system developers bring up and debug their systems.

The performance monitor uses the following SPRs:

- The performance monitor counter registers (PMC1–PMC4) are used to record the number of times a certain event has occurred. UPMC1–UPMC4 provide user-level read access to these registers.
- The monitor mode control registers (MMCR0–MMCR1) are used to enable various performance monitor interrupt functions. UMMCR0–UMMCR1 provide user-level read access to these registers.



- The sampled instruction address register (SIA) contains the effective address of an instruction executing at or around the time that the processor signals the performance monitor interrupt condition. The USIA register provides user-level read access to the SIA.

Table 4-11 lists register settings when a performance monitor interrupt exception is taken.

**Table 4-11. Performance Monitor Interrupt Exception—Register Settings**

Register	Setting Description																
SRR0	Set to the effective address of the instruction that the processor would have attempted to execute next if no exception conditions were present.																
SRR1	0 Loaded with equivalent MSR bits 1-4 Cleared 5-9 Loaded with equivalent MSR bits 10-15 Cleared 16-31 Loaded with equivalent MSR bits																
MSR	<table> <tr> <td>POW 0</td> <td>FP 0</td> <td>BE 0</td> <td>DR 0</td> </tr> <tr> <td>ILE —</td> <td>ME —</td> <td>FE1 0</td> <td>PM 0</td> </tr> <tr> <td>EE 0</td> <td>FE0 0</td> <td>IP —</td> <td>RI 0</td> </tr> <tr> <td>PR 0</td> <td>SE 0</td> <td>IR 0</td> <td>LE Set to value of ILE</td> </tr> </table>	POW 0	FP 0	BE 0	DR 0	ILE —	ME —	FE1 0	PM 0	EE 0	FE0 0	IP —	RI 0	PR 0	SE 0	IR 0	LE Set to value of ILE
POW 0	FP 0	BE 0	DR 0														
ILE —	ME —	FE1 0	PM 0														
EE 0	FE0 0	IP —	RI 0														
PR 0	SE 0	IR 0	LE Set to value of ILE														

As with other PowerPC exceptions, the performance monitor interrupt follows the normal PowerPC exception model with a defined exception vector offset (0x00F00). The priority of the performance monitor interrupt lies between the external interrupt and the decremter interrupt (see Table 4-3). The contents of the SIA are described in Section 2.1.2.4, “Performance Monitor Registers.” The performance monitor is described in Chapter 11, “Performance Monitor.”

#### 4.5.14 Instruction Address Breakpoint Exception (0x01300)

An instruction address breakpoint interrupt occurs when the following conditions are met:

- The instruction breakpoint address IABR[0–29] matches EA[0–29] of the next instruction to complete in program order. The instruction that triggers the instruction address breakpoint exception is not executed before the exception handler is invoked.
- The translation enable bit (IABR[TE]) matches MSR[IR].
- The breakpoint enable bit (IABR[BE]) is set. The address match is also reported to the JTAG/COP block, which may subsequently generate a soft or hard reset. The instruction tagged with the match does not complete before the breakpoint exception is taken.

Table 4-12 lists register settings when an instruction address breakpoint exception is taken.

**Table 4-12. Instruction Address Breakpoint Exception—Register Settings**

Register	Setting Description
SRR0	Set to the effective address of the instruction that the processor would have attempted to execute next if no exception conditions were present.
SRR1	0 Loaded with equivalent MSR bits 1–4 Cleared 5–9 Loaded with equivalent MSR bits 10–15 Cleared 16–31 Loaded with equivalent MSR bits
MSR	POW 0                      FP 0                      BE 0                      DR 0 ILE —                      ME —                      FE1 0                      PM 0 EE 0                      FE0 0                      IP —                      RI 0 PR 0                      SE 0                      IR 0                      LE Set to value of ILE

The MPC750 requires that an **mtspr** to the IABR be followed by a context-synchronizing instruction. The MPC750 cannot generate a breakpoint response for that context-synchronizing instruction if the breakpoint is enabled by the **mtspr(IABR)** immediately preceding it. The MPC750 also cannot block a breakpoint response on the context-synchronizing instruction if the breakpoint was disabled by the **mtspr(IABR)** instruction immediately preceding it. The format of the IABR register is shown in Section 2.1.2.1, “Instruction Address Breakpoint Register (IABR).”

When an instruction address breakpoint exception is taken, instruction fetching resumes as offset 0x01300 from the base address indicated by MSR[IP].

#### 4.5.15 System Management Interrupt (0x01400)

The MPC750 implements a system management interrupt exception, which is not defined by the PowerPC architecture. The system management exception is very similar to the external interrupt exception and is particularly useful in implementing the nap mode. It has priority over an external interrupt (see Table 4-3), and it uses a different vector in the exception table (offset 0x01400).

Table 4-13 lists register settings when a system management interrupt exception is taken.

**Table 4-13. System Management Interrupt Exception—Register Settings**

Register	Setting Description
SRR0	Set to the effective address of the instruction that the processor would have attempted to execute next if no exception conditions were present.
SRR1	0 Loaded with equivalent MSR bits 1-4 Cleared 5-9 Loaded with equivalent MSR bits 10-15 Cleared 16-31 Loaded with equivalent MSR bits
MSR	POW 0                      FP 0                      BE 0                      DR 0 ILE —                      ME —                      FE1 0                      PM 0 EE 0                      FE0 0                      IP —                      RI 0 PR 0                      SE 0                      IR 0                      LE Set to value of ILE

Like the external interrupt, a system management interrupt is signaled to the MPC750 by the assertion of an input signal. The system management interrupt signal ( $\overline{SMI}$ ) is expected to remain asserted until the interrupt is taken. If  $\overline{SMI}$  is negated early, recognition of the interrupt request is not guaranteed. After the MPC750 begins execution of the system management interrupt handler, the system can safely negate  $\overline{SMI}$ . After the assertion of  $\overline{SMI}$  is detected, the MPC750 stops dispatching instructions and waits for all pending instructions to complete. This allows any instructions in progress that need to take an exception to do so before the system management interrupt is taken.

When a system management interrupt exception is taken, instruction fetching resumes as offset 0x01400 from the base address indicated by MSR[IP].

#### 4.5.16 Thermal Management Interrupt Exception (0x01700)

A thermal management interrupt is generated when the junction temperature crosses a threshold programmed in either THRM1 or THRM2. The exception is enabled by the TIE bit of either THRM1 or THRM2, and can be masked by setting MSR[EE].

Table 4-14 lists register settings when a thermal management interrupt exception is taken.

**Table 4-14. Thermal Management Interrupt Exception—Register Settings**

Register	Setting Description
SRR0	Set to the effective address of the instruction that the processor would have attempted to execute next if no exception conditions were present.
SRR1	0 Loaded with equivalent MSR bits 1–4 Cleared 5–9 Loaded with equivalent MSR bits 10–15 Cleared 16–31 Loaded with equivalent MSR bits
MSR	POW 0                      FP 0                      BE 0                      DR 0 ILE —                      ME —                      FE1 0                      PM 0 EE 0                      FE0 0                      IP —                      RI 0 PR 0                      SE 0                      IR 0                      LE Set to value of ILE

The thermal management interrupt is similar to the system management and external interrupts. The MPC750 requires the next instruction in program order to complete or take an exception, blocks completion of any following instructions, and allows the completed store queue to drain. Any exceptions encountered in this process are taken first and the thermal management interrupt exception is delayed until a recoverable halt is achieved, at which point the MPC750 saves the machine state, as shown in Table 4-14. When a thermal management interrupt exception is taken, instruction fetching resumes as offset 0x01700 from the base address indicated by MSR[IP].

Chapter 10, “Power and Thermal Management,” gives details about thermal management.

# Chapter 5

## Memory Management

This chapter describes the MPC750 microprocessor's implementation of the memory management unit (MMU) specifications provided by the operating environment architecture (OEA) for PowerPC processors. The primary function of the MMU in a PowerPC processor is the translation of logical (effective) addresses to physical addresses (referred to as real addresses in the architecture specification) for memory accesses and I/O accesses (I/O accesses are assumed to be memory-mapped). In addition, the MMU provides access protection on a segment, block, or page basis. This chapter describes the specific hardware used to implement the MMU model of the OEA in the MPC750. Refer to Chapter 7, "Memory Management," in *The Programming Environments Manual* for a complete description of the conceptual model. Note that the MPC750 does not implement the optional direct-store facility and it is not likely to be supported in future devices.

Two general types of memory accesses generated by PowerPC processors require address translation—instruction accesses and data accesses generated by load and store instructions. Generally, the address translation mechanism is defined in terms of the segment descriptors and page tables PowerPC processors use to locate the effective-to-physical address mapping for memory accesses. The segment information translates the effective address to an interim virtual address, and the page table information translates the interim virtual address to a physical address.

The segment descriptors, used to generate the interim virtual addresses, are stored as on-chip segment registers on 32-bit implementations (such as the MPC750). In addition, two translation lookaside buffers (TLBs) are implemented on the MPC750 to keep recently-used page address translations on-chip. Although the PowerPC OEA describes one MMU (conceptually), the MPC750 hardware maintains separate TLBs and table search resources for instruction and data accesses that can be performed independently (and simultaneously). Therefore, the MPC750 is described as having two MMUs, one for instruction accesses (IMMU) and one for data accesses (DMMU).

The block address translation (BAT) mechanism is a software-controlled array that stores the available block address translations on-chip. BAT array entries are implemented as pairs of BAT registers that are accessible as supervisor special-purpose registers (SPRs). There are separate instruction and data BAT mechanisms, and in the MPC750, they reside in the instruction and data MMUs, respectively.

The MMUs, together with the exception processing mechanism, provide the necessary support for the operating system to implement a paged virtual memory environment and for enforcing protection of designated memory areas. Exception processing is described in Chapter 4, “Exceptions.” Section 4.3, “Exception Processing,” describes the MSR, which controls some of the critical functionality of the MMUs.

## 5.1 MMU Overview

The MPC750 implements the memory management specification of the PowerPC OEA for 32-bit implementations. Thus, it provides 4 Gbytes of effective address space accessible to supervisor and user programs, with a 4-Kbyte page size and 256-Mbyte segment size. In addition, the MMUs of 32-bit PowerPC processors use an interim virtual address (52 bits) and hashed page tables in the generation of 32-bit physical addresses. PowerPC processors also have a BAT mechanism for mapping large blocks of memory. Block sizes range from 128 Kbyte to 256 Mbyte and are software-programmable.

Basic features of the MPC750 MMU implementation defined by the OEA are as follows:

- Support for real addressing mode—Effective-to-physical address translation can be disabled separately for data and instruction accesses.
- Block address translation—Each of the BAT array entries (four IBAT entries and four DBAT entries) provides a mechanism for translating blocks as large as 256 Mbytes from the 32-bit effective address space into the physical memory space. This can be used for translating large address ranges whose mappings do not change frequently.
- Segmented address translation—The 32-bit effective address is extended to a 52-bit virtual address by substituting 24 bits of upper address bits from the segment register, for the 4 upper bits of the EA, which are used as an index into the segment register file. This 52-bit virtual address space is divided into 4-Kbyte pages, each of which can be mapped to a physical page.

The MPC750 also provides the following features that are not required by the PowerPC architecture:

- Separate translation lookaside buffers (TLBs)—The 128-entry, two-way set-associative ITLBs and DTLBs keep recently-used page address translations on-chip.
- Table search operations performed in hardware—The 52-bit virtual address is formed and the MMU attempts to fetch the PTE, which contains the physical address, from the appropriate TLB on-chip. If the translation is not found in a TLB (that is, a TLB miss occurs), the hardware performs a table search operation (using a hashing function) to search for the PTE.
- TLB invalidation—The MPC750 implements the optional TLB Invalidate Entry (**tlbie**) and TLB Synchronize (**tlbsync**) instructions, which can be used to invalidate TLB entries. For more information on the **tlbie** and **tlbsync** instructions, see Section 5.4.3.2, “TLB Invalidation.”

Table 5-1 summarizes the MPC750 MMU features, including those defined by the PowerPC architecture (OEA) for 32-bit processors and those specific to the MPC750.

**Table 5-1. MMU Feature Summary**

Feature Category	Architecturally Defined/ MPC750-Specific	Feature
Address ranges	Architecturally defined	2 <sup>32</sup> bytes of effective address
		2 <sup>52</sup> bytes of virtual address
		2 <sup>32</sup> bytes of physical address
Page size	Architecturally defined	4 Kbytes
Segment size	Architecturally defined	256 Mbytes
Block address translation	Architecturally defined	Range of 128 Kbyte–256 Mbyte sizes
		Implemented with IBAT and DBAT registers in BAT array
Memory protection	Architecturally defined	Segments selectable as no-execute
		Pages selectable as user/supervisor and read-only or guarded
		Blocks selectable as user/supervisor and read-only or guarded
Page history	Architecturally defined	Referenced and changed bits defined and maintained
Page address translation	Architecturally defined	Translations stored as PTEs in hashed page tables in memory
		Page table size determined by mask in SDR1 register
TLBs	Architecturally defined	Instructions for maintaining TLBs ( <b>tlbie</b> and <b>tlbsync</b> instructions in MPC750)
	MPC750-specific	128-entry, two-way set associative ITLB 128-entry, two-way set associative DTLB LRU replacement algorithm
Segment descriptors	Architecturally defined	Stored as segment registers on-chip (two identical copies maintained)
Page table search support	MPC750-specific	The MPC750 performs the table search operation in hardware.

### 5.1.1 Memory Addressing

A program references memory using the effective (logical) address computed by the processor when it executes a load, store, branch, or cache instruction, and when it fetches the next instruction. The effective address is translated to a physical address according to the procedures described in Chapter 7, “Memory Management,” in *The Programming Environments Manual*, augmented with information in this chapter. The memory subsystem uses the physical address for the access.

For a complete discussion of effective address calculation, see Section 2.3.2.3, “Effective Address Calculation.”

### 5.1.2 MMU Organization

Figure 5-1 shows the conceptual organization of a PowerPC MMU in a 32-bit implementation; note that it does not describe the specific hardware used to implement the memory management function for a particular processor. Processors may optionally implement on-chip TLBs, hardware support for the automatic search of the page tables for PTEs, and other hardware features (invisible to the system software) not shown.

The MPC750 maintains two on-chip TLBs with the following characteristics:

- 128 entries, two-way set associative (64 x 2), LRU replacement
- Data TLB supports the DMMU; instruction TLB supports the IMMU
- Hardware TLB update
- Hardware update of referenced (R) and changed (C) bits in the translation table

In the event of a TLB miss, the hardware attempts to load the TLB based on the results of a translation table search operation.

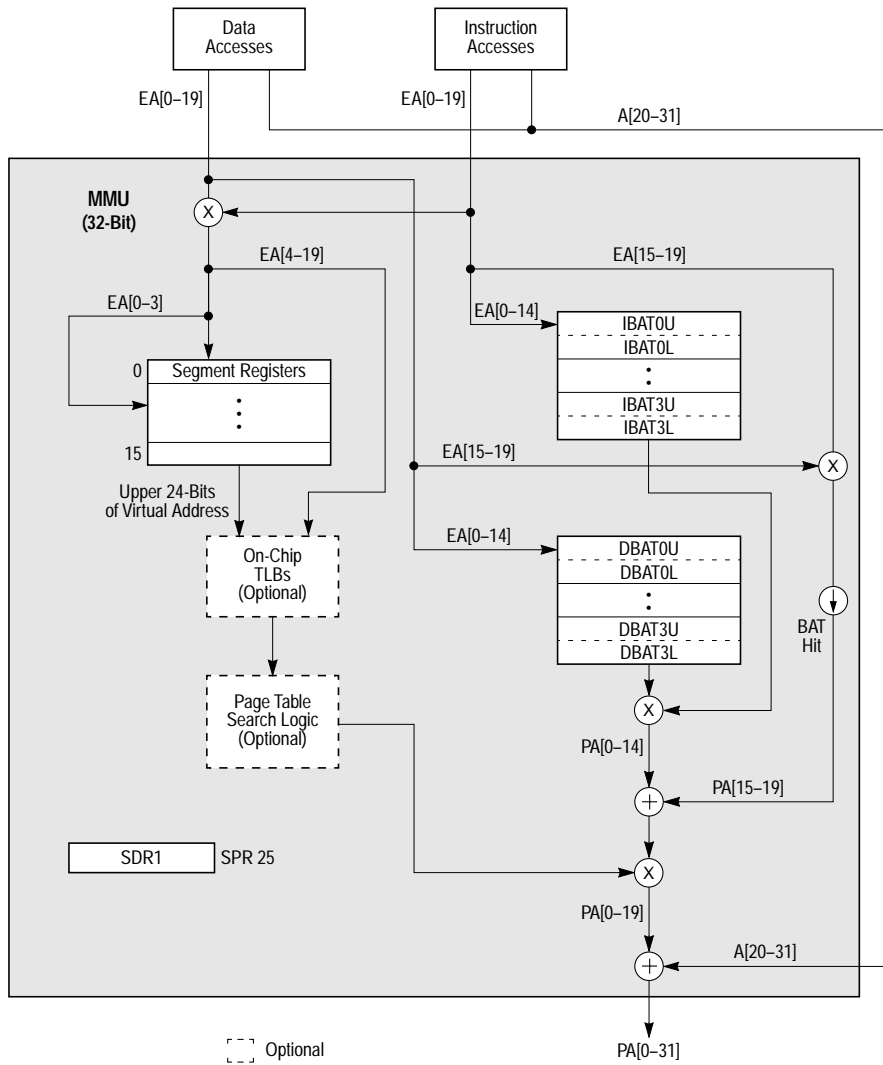
Figure 5-2 and Figure 5-3 show the conceptual organization of the MPC750 instruction and data MMUs, respectively. The instruction addresses shown in Figure 5-2 are generated by the processor for sequential instruction fetches and addresses that correspond to a change of program flow. Data addresses shown in Figure 5-3 are generated by load, store, and cache instructions.

As shown in the figures, after an address is generated, the high-order bits of the effective address, EA[0–19] (or a smaller set of address bits, EA[0–*n*], in the cases of blocks), are translated into physical address bits PA[0–19]. The low-order address bits, A[20–31], are untranslated and are therefore identical for both effective and physical addresses. After translating the address, the MMUs pass the resulting 32-bit physical address to the memory subsystem.



The MMUs record whether the translation is for an instruction or data access, whether the processor is in user or supervisor mode and, for data accesses, whether the access is a load or a store operation. The MMUs use this information to appropriately direct the address translation and to enforce the protection hierarchy programmed by the operating system. Section 4.3, “Exception Processing,” describes the MSR, which controls some of the critical functionality of the MMUs.

The figures show how address bits A[20–26] index into the on-chip instruction and data caches to select a cache set. The remaining physical address bits are then compared with the tag fields (comprised of bits PA[0–19]) of the two selected cache blocks to determine if a cache hit has occurred. In the case of a cache miss on the MPC750, the instruction or data access is then forwarded to the L2 interface tags to check for an L2 cache hit. In case of a miss (and in all cases of an on-chip cache miss on the MPC740) the access is forwarded to the bus interface unit which initiates an external memory access.



**Figure 5-1. MMU Conceptual Block Diagram—32-Bit Implementations**

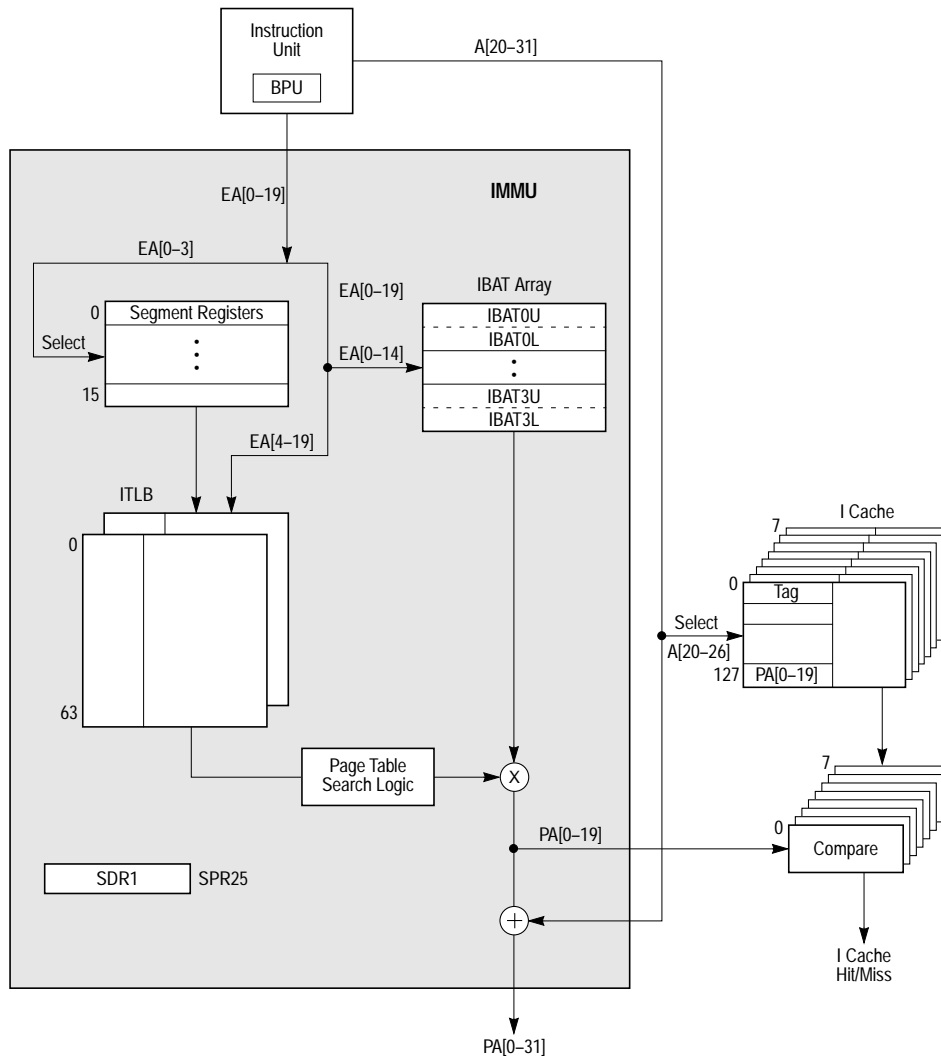
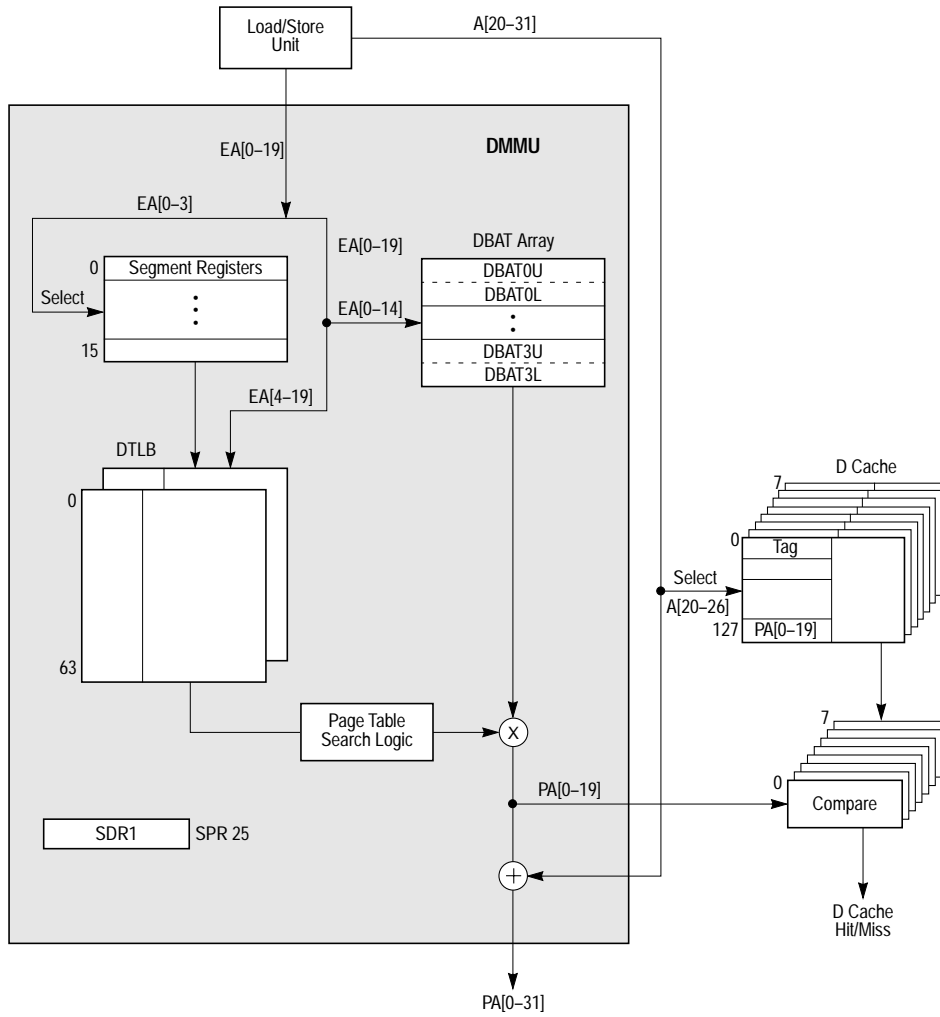


Figure 5-2. MPC750 Microprocessor IMMU Block Diagram



**Figure 5-3. MPC750 Microprocessor DMMU Block Diagram**

### 5.1.3 Address Translation Mechanisms

PowerPC processors support the following three types of address translation:

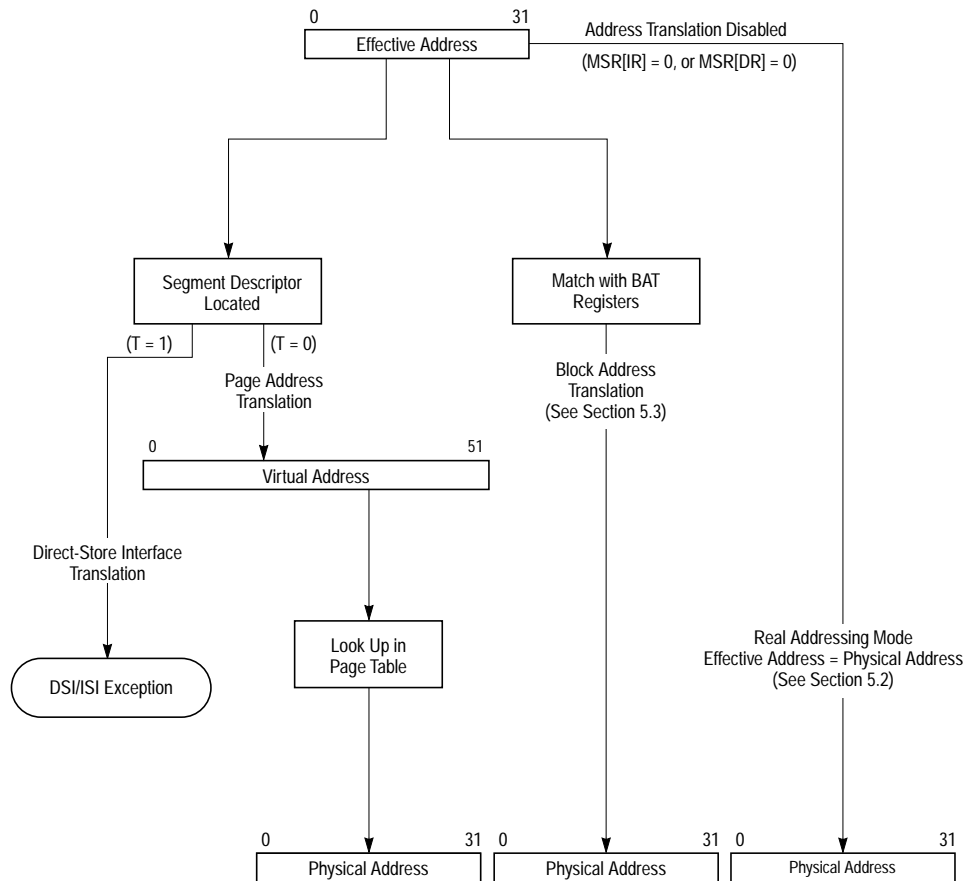
- Page address translation—translates the page frame address for a 4-Kbyte page size
- Block address translation—translates the block number for blocks that range in size from 128 Kbytes to 256 Mbytes.
- Real addressing mode address translation—when address translation is disabled, the physical address is identical to the effective address.

Figure 5-4 shows the three address translation mechanisms provided by the MMUs. The segment descriptors shown in the figure control the page address translation mechanism. When an access uses page address translation, the appropriate segment descriptor is required. In 32-bit implementations, the appropriate segment descriptor is selected from the 16 on-chip segment registers by the four highest-order effective address bits.

A control bit in the corresponding segment descriptor then determines if the access is to memory (memory-mapped) or to the direct-store interface space. Note that the direct-store interface was present in the architecture only for compatibility with existing I/O devices that used this interface. However, it is being removed from the architecture, and the MPC750 does not support it. When an access is determined to be to the direct-store interface space, the MPC750 takes a DSI exception if it is a data access (see Section 4.5.3, “DSI Exception (0x00300)”), and takes an ISI exception if it is an instruction access (see Section 4.5.4, “ISI Exception (0x00400)”).

For memory accesses translated by a segment descriptor, the interim virtual address is generated using the information in the segment descriptor. Page address translation corresponds to the conversion of this virtual address into the 32-bit physical address used by the memory subsystem. In most cases, the physical address for the page resides in an on-chip TLB and is available for quick access. However, if the page address translation misses in the on-chip TLB, the MMU causes a search of the page tables in memory (using the virtual address information and a hashing function) to locate the required physical address.

Because blocks are larger than pages, there are fewer upper-order effective address bits to be translated into physical address bits (more low-order address bits (at least 17) are untranslated to form the offset into a block) for block address translation. Also, instead of segment descriptors and a TLB, block address translations use the on-chip BAT registers as a BAT array. If an effective address matches the corresponding field of a BAT register, the information in the BAT register is used to generate the physical address; in this case, the results of the page translation (occurring in parallel) are ignored.



**Figure 5-4. Address Translation Types**

When the processor generates an access, and the corresponding address translation enable bit in MSR is cleared, the resulting physical address is identical to the effective address and all other translation mechanisms are ignored. Instruction address translation and data address translation are enabled by setting MSR[IR] and MSR[DR], respectively.

### 5.1.4 Memory Protection Facilities

In addition to the translation of effective addresses to physical addresses, the MMUs provide access protection of supervisor areas from user access and can designate areas of memory as read-only as well as no-execute or guarded. Table 5-2 shows the protection options supported by the MMUs for pages.

**Table 5-2. Access Protection Options for Pages**

Option	User Read		User Write	Supervisor Read		Supervisor Write
	I-Fetch	Data		I-Fetch	Data	
Supervisor-only	—	—	—	√	√	√
Supervisor-only-no-execute	—	—	—	—	√	√
Supervisor-write-only	√	√	—	√	√	√
Supervisor-write-only-no-execute	—	√	—	—	√	√
Both (user/supervisor)	√	√	√	√	√	√
Both (user/supervisor) no-execute	—	√	√	—	√	√
Both (user/supervisor) read-only	√	√	—	√	√	—
Both (user/supervisor) read-only-no-execute	—	√	—	—	√	—

√ Access permitted  
 — Protection violation

The no-execute option provided in the segment register lets the operating system program determine whether instructions can be fetched from an area of memory. The remaining options are enforced based on a combination of information in the segment descriptor and the page table entry. Thus, the supervisor-only option allows only read and write operations generated while the processor is operating in supervisor mode ( $MSR[PR] = 0$ ) to access the page. User accesses that map into a supervisor-only page cause an exception.

Finally, a facility in the VEA and OEA allows pages or blocks to be designated as guarded, preventing out-of-order accesses that may cause undesired side effects. For example, areas of the memory map used to control I/O devices can be marked as guarded so accesses do not occur unless they are explicitly required by the program.

For more information on memory protection, see “Memory Protection Facilities,” in Chapter 7, “Memory Management,” in the *The Programming Environments Manual*.

### 5.1.5 Page History Information

The MMUs of PowerPC processors also define referenced (R) and changed (C) bits in the page address translation mechanism that can be used as history information relevant to the page. The operating system can use these bits to determine which areas of memory to write back to disk when new pages must be allocated in main memory. While these bits are initially programmed by the operating system into the page table, the architecture specifies that they can be maintained either by the processor hardware (automatically) or by some software-assist mechanism.

**Implementation Note**—When loading the TLB, the MPC750 checks the state of the changed and referenced bits for the matched PTE. If the referenced bit is not set and the table search operation is initially caused by a load operation or by an instruction fetch, the MPC750 automatically sets the referenced bit in the translation table. Similarly, if the table search operation is caused by a store operation and either the referenced bit or the changed bit is not set, the hardware automatically sets both bits in the translation table. In addition, when the address translation of a store operation hits in the DTLB, the MPC750 checks the state of the changed bit. If the bit is not already set, the hardware automatically updates the DTLB and the translation table in memory to set the changed bit. For more information, see Section 5.4.1, “Page History Recording.”

### 5.1.6 General Flow of MMU Address Translation

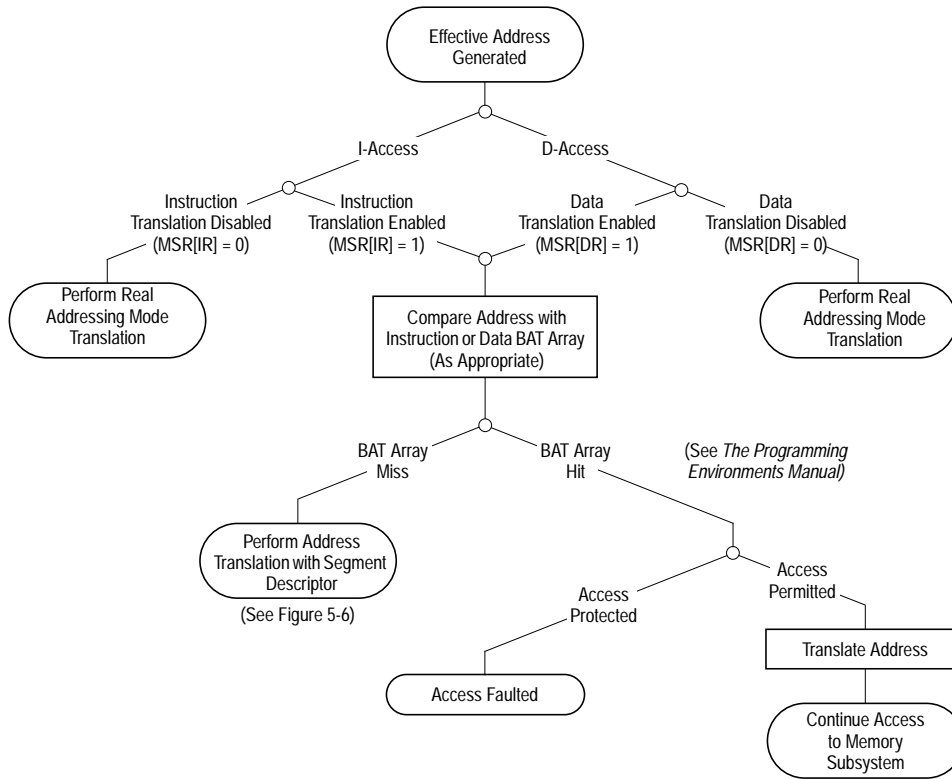
The following sections describe the general flow used by PowerPC processors to translate effective addresses to virtual and then physical addresses.

#### 5.1.6.1 Real Addressing Mode and Block Address Translation Selection

When an instruction or data access is generated and the corresponding instruction or data translation is disabled ( $MSR[IR] = 0$  or  $MSR[DR] = 0$ ), real addressing mode is used (physical address equals effective address) and the access continues to the memory subsystem as described in Section 5.2, “Real Addressing Mode.”

Figure 5-5 shows the flow the MMUs use in determining whether to select real addressing mode, block address translation, or the segment descriptor to select page address translation.





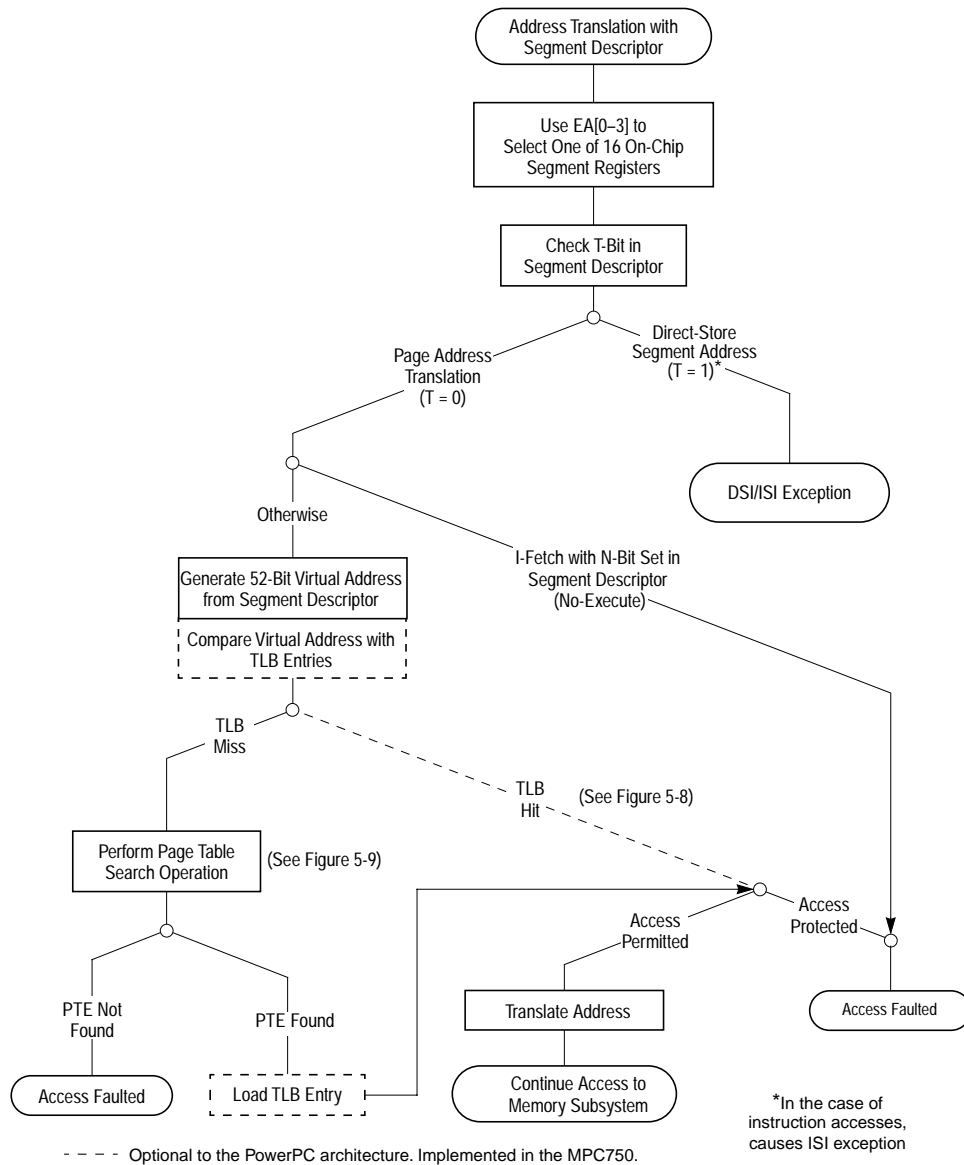
**Figure 5-5. General Flow of Address Translation (Real Addressing Mode and Block)**

Note that if the BAT array search results in a hit, the access is qualified with the appropriate protection bits. If the access violates the protection mechanism, an exception (ISI or DSI exception) is generated.

### 5.1.6.2 Page Address Translation Selection

If address translation is enabled and the effective address information does not match a BAT array entry, the segment descriptor must be located. When the segment descriptor is located, the T bit in the segment descriptor selects whether the translation is to a page or to a direct-store segment as shown in Figure 5-6. For 32-bit implementations, the segment descriptor for an access is contained in one of 16 on-chip segment registers; effective address bits EA[0–3] select one of the 16 segment registers.

Note that the MPC750 does not implement the direct-store interface, and accesses to these segments cause a DSI or ISI exception. In addition, Figure 5-6 also shows the way in which the no-execute protection is enforced; if the N bit in the segment descriptor is set and the access is an instruction fetch, the access is faulted as described in Chapter 7, “Memory Management,” in *The Programming Environments Manual*. Note that the figure shows the flow for these cases as described by the PowerPC OEA, and so the TLB references are shown as optional. Because the MPC750 implements TLBs, these branches are valid and are described in more detail throughout this chapter.



**Figure 5-6. General Flow of Page and Direct-Store Interface Address Translation**

If  $SR[T] = 0$ , page address translation is selected. The information in the segment descriptor is then used to generate the 52-bit virtual address. The virtual address is then used to identify the page address translation information (stored as page table entries (PTEs) in a page table in memory). For increased performance, the MPC750 has two on-chip TLBs to cache recently-used translations on-chip.

If an access hits in the appropriate TLB, page translation succeeds and the physical address bits are forwarded to the memory subsystem. If the required translation is not resident, the MMU performs a search of the page table. If the required PTE is found, a TLB entry is allocated and the page translation is attempted again. This time, the TLB is guaranteed to hit. When the translation is located, the access is qualified with the appropriate protection bits. If the access causes a protection violation, either an ISI or DSI exception is generated.

If the PTE is not found by the table search operation, a page fault condition exists, and an ISI or DSI exception occurs so software can handle the page fault.

### **5.1.7 MMU Exceptions Summary**

To complete any memory access, the effective address must be translated to a physical address. As specified by the architecture, an MMU exception condition occurs if this translation fails for one of the following reasons:

- Page fault—there is no valid entry in the page table for the page specified by the effective address (and segment descriptor) and there is no valid BAT translation.
- An address translation is found but the access is not allowed by the memory protection mechanism.

The translation exception conditions defined by the OEA for 32-bit implementations cause either the ISI or the DSI exception to be taken as shown in Table 5-3.

The state saved by the processor for each of these exceptions contains information that identifies the address of the failing instruction. Refer to Chapter 4, “Exceptions,” for a more detailed description of exception processing.

**Table 5-3. Translation Exception Conditions**

Condition	Description	Exception
Page fault (no PTE found)	No matching PTE found in page tables (and no matching BAT array entry)	I access: ISI exception SRR1[1] = 1
		D access: DSI exception DSISR[1] = 1
Block protection violation	Conditions described for block in "Block Memory Protection" in Chapter 7, "Memory Management," in <i>The Programming Environments Manual</i> .	I access: ISI exception SRR1[4] = 1
		D access: DSI exception DSISR[4] = 1
Page protection violation	Conditions described for page in "Page Memory Protection" in Chapter 7, "Memory Management," in <i>The Programming Environments Manual</i> .	I access: ISI exception SRR1[4] = 1
		D access: DSI exception DSISR[4] = 1
No-execute protection violation	Attempt to fetch instruction when SR[N] = 1	ISI exception SRR1[3] = 1
Instruction fetch from direct-store segment	Attempt to fetch instruction when SR[T] = 1	ISI exception SRR1[3] = 1
Data access to direct-store segment (including floating-point accesses)	Attempt to perform load or store (including FP load or store) when SR[T] = 1	DSI exception DSISR[5] = 1
Instruction fetch from guarded memory	Attempt to fetch instruction when MSR[IR] = 1 and either matching xBAT[G] = 1, or no matching BAT entry and PTE[G] = 1	ISI exception SRR1[3] = 1

In addition to the translation exceptions, there are other MMU-related conditions (some of them defined as implementation-specific, and therefore not required by the architecture) that can cause an exception to occur. These exception conditions map to processor exceptions as shown in Table 5-4. The only MMU exception conditions that occur when MSR[DR] = 0 are those that cause an alignment exception for data accesses. For more detailed information about the conditions that cause an alignment exception (in particular for string/multiple instructions), see Section 4.5.6, "Alignment Exception (0x00600)."

Note that some exception conditions depend upon whether the memory area is set up as write-through (W = 1) or cache-inhibited (I = 1). These bits are described fully in "Memory/Cache Access Attributes," in Chapter 5, "Cache Model and Memory Coherency," of *The Programming Environments Manual*. Refer to Chapter 4, "Exceptions," and to Chapter 6, "Exceptions," in *The Programming Environments Manual* for a complete description of the SRR1 and DSISR bit settings for these exceptions.

**Table 5-4. Other MMU Exception Conditions for the MPC750 Processor**

Condition	Description	Exception
<b>dcbz</b> with W = 1 or I = 1	<b>dcbz</b> instruction to write-through or cache-inhibited segment or block	Alignment exception (not required by architecture for this condition)
<b>lwarx</b> or <b>stwcx.</b> with W = 1	Reservation instruction to write-through segment or block	DSI exception DSISR[5] = 1
<b>lwarx</b> , <b>stwcx.</b> , <b>eciwx</b> , or <b>ecowx</b> instruction to direct-store segment	Reservation instruction or external control instruction when SR[T] = 1	DSI exception DSISR[5] = 1
Floating-point load or store to direct-store segment	FP memory access when SR[T] = 1	See data access to direct-store segment in Table 5-3.
Load or store that results in a direct-store error	Does not occur in MPC750	Does not apply
<b>eciwx</b> or <b>ecowx</b> attempted when external control facility disabled	<b>eciwx</b> or <b>ecowx</b> attempted with EAR[E] = 0	DSI exception DSISR[11] = 1
<b>lmw</b> , <b>stmw</b> , <b>lswi</b> , <b>lswx</b> , <b>stswi</b> , or <b>stswx</b> instruction attempted in little-endian mode	<b>lmw</b> , <b>stmw</b> , <b>lswi</b> , <b>lswx</b> , <b>stswi</b> , or <b>stswx</b> instruction attempted while MSR[LE] = 1	Alignment exception
Operand misalignment	Translation enabled and a floating-point load/store, <b>stmw</b> , <b>stwcx.</b> , <b>lmw</b> , <b>lwarx</b> , <b>eciwx</b> , or <b>ecowx</b> instruction operand is not word-aligned	Alignment exception (some of these cases are implementation-specific)

### 5.1.8 MMU Instructions and Register Summary

The MMU instructions and registers allow the operating system to set up the block address translation areas and the page tables in memory.

Note that because the implementation of TLBs is optional, the instructions that refer to these structures are also optional. However, as these structures serve as caches of the page table, the architecture specifies a software protocol for maintaining coherency between these caches and the tables in memory whenever the tables in memory are modified. When the tables in memory are changed, the operating system purges these caches of the corresponding entries, allowing the translation caching mechanism to refetch from the tables when the corresponding entries are required.

Note that the MPC750 implements all TLB-related instructions except **tlbia**, which is treated as an illegal instruction.

Because the MMU specification for PowerPC processors is so flexible, it is recommended that the software that uses these instructions and registers be encapsulated into subroutines to minimize the impact of migrating across the family of implementations.

Table 5-5 summarizes MPC750 instructions that specifically control the MMU. For more detailed information about the instructions, refer to Chapter 2, “MPC750 Processor Programming Model,” in this book and Chapter 8, “Instruction Set,” in *The Programming Environments Manual*.

**Table 5-5. MPC750 Microprocessor Instruction Summary—Control MMUs**

Instruction	Description
<b>mtsr</b> SR,rS	Move to Segment Register SR[SR#]← rS
<b>mtsrin</b> rS,rB	Move to Segment Register Indirect SR[rB[0–3]]←rS
<b>mfsr</b> rD,SR	Move from Segment Register rD←SR[SR#]
<b>mfsrin</b> rD,rB	Move from Segment Register Indirect rD←SR[rB[0–3]]
<b>tlbie</b> rB*	TLB Invalidate Entry For effective address specified by rB, TLB[V]←0 The <b>tlbie</b> instruction invalidates all TLB entries indexed by the EA, and operates on both the instruction and data TLBs simultaneously invalidating four TLB entries. The index corresponds to bits 14–19 of the EA. In addition, depending on the setting of HIDxx, execution of this instruction causes all entries in the congruence class corresponding to the EA to be invalidated in the other processors attached to the same bus. Software must ensure that instruction fetches or memory references to the virtual pages specified by the <b>tlbie</b> instruction have been completed prior to executing the <b>tlbie</b> instruction.
<b>tlbsync</b> *	TLB Synchronize Synchronizes the execution of all other <b>tlbie</b> instructions in the system. In the MPC750, when the TLBISYNĀ signal is negated, instruction execution may continue or resume after the completion of a <b>tlbsync</b> instruction. When the TLBISYNĀ signal is asserted, instruction execution stops after the completion of a <b>tlbsync</b> instruction.

\*These instructions are defined by the PowerPC architecture, but are optional.

Table 5-6 summarizes the registers that the operating system uses to program the MPC750 MMUs. These registers are accessible to supervisor-level software only. These registers are described in Chapter 2, “MPC750 Processor Programming Model.”

**Table 5-6. MPC750 Microprocessor MMU Registers**

Register	Description
Segment registers (SR0–SR15)	The sixteen 32-bit segment registers are present only in 32-bit implementations of the PowerPC architecture. The fields in the segment register are interpreted differently depending on the value of bit 0. The segment registers are accessed by the <b>mtsr</b> , <b>mtsrin</b> , <b>mfsr</b> , and <b>mfsrin</b> instructions.
BAT registers (IBAT0U–IBAT3U, IBAT0L–IBAT3L, DBAT0U–DBAT3U, and DBAT0L–DBAT3L)	There are 16 BAT registers, organized as four pairs of instruction BAT registers (IBAT0U–IBAT3U paired with IBAT0L–IBAT3L) and four pairs of data BAT registers (DBAT0U–DBAT3U paired with DBAT0L–DBAT3L). The BAT registers are defined as 32-bit registers in 32-bit implementations. These are special-purpose registers that are accessed by the <b>mtspr</b> and <b>mfspr</b> instructions.
SDR1	The SDR1 register specifies the variables used in accessing the page tables in memory. SDR1 is defined as a 32-bit register for 32-bit implementations. This special-purpose register is accessed by the <b>mtspr</b> and <b>mfspr</b> instructions.

## 5.2 Real Addressing Mode

If address translation is disabled ( $MSR[IR] = 0$  or  $MSR[DR] = 0$ ) for a particular access, the effective address is treated as the physical address and is passed directly to the memory subsystem as described in Chapter 7, “Memory Management,” in *The Programming Environments Manual*.

Note that the default WIMG bits (0b0011) cause data accesses to be considered cacheable ( $I = 0$ ) and thus load and store accesses are weakly ordered. This is the case even if the data cache is disabled in the HID0 register (as it is out of hard reset). If I/O devices require load and store accesses to occur in strict program order (strongly ordered), translation must be enabled so that the corresponding I bit can be set. Note also, that the G bit must be set to ensure that the accesses are strongly ordered. For instruction accesses, the default memory access mode bits (WIMG) are also 0b0011. That is, instruction accesses are considered cacheable ( $I = 0$ ), and the memory is guarded. Again, instruction accesses are considered cacheable even if the instruction cache is disabled in the HID0 register (as it is out of hard reset). The W and M bits have no effect on the instruction cache.

For information on the synchronization requirements for changes to  $MSR[IR]$  and  $MSR[DR]$ , refer to Section 2.3.2.4, “Synchronization,” in this manual, and “Synchronization Requirements for Special Registers and for Lookaside Buffers” in Chapter 2, “PowerPC Register Set,” in *The Programming Environments Manual*.



## 5.3 Block Address Translation

The block address translation (BAT) mechanism in the OEA provides a way to map ranges of effective addresses larger than a single page into contiguous areas of physical memory. Such areas can be used for data that is not subject to normal virtual memory handling (paging), such as a memory-mapped display buffer or an extremely large array of numerical data.

Block address translation in the MPC750 is described in Chapter 7, “Memory Management,” in *The Programming Environments Manual* for 32-bit implementations.

**Implementation Note**—The MPC750 BAT registers are not initialized by the hardware after the power-up or reset sequence. Consequently, all valid bits in both instruction and data BATs must be cleared before setting any BAT for the first time. This is true regardless of whether address translation is enabled. Also, software must avoid overlapping blocks while updating a BAT or areas. Even if translation is disabled, multiple BAT hits are treated as programming errors and can corrupt the BAT registers and produce unpredictable results.

## 5.4 Memory Segment Model

The MPC750 adheres to the memory segment model as defined in Chapter 7, “Memory Management,” in *The Programming Environments Manual* for 32-bit implementations. Memory in the PowerPC OEA is divided into 256-Mbyte segments. This segmented memory model provides a way to map 4-Kbyte pages of effective addresses to 4-Kbyte pages in physical memory (page address translation), while providing the programming flexibility afforded by a large virtual address space (52 bits).

The segment/page address translation mechanism may be superseded by the block address translation (BAT) mechanism described in Section 5.3, “Block Address Translation.” If not, the translation proceeds in the following two steps:

1. from effective address to the virtual address (which never exists as a specific entity but can be considered to be the concatenation of the virtual page number and the byte offset within a page), and
2. from virtual address to physical address.

This section highlights those areas of the memory segment model defined by the OEA that are specific to the MPC750.

### 5.4.1 Page History Recording

Referenced (R) and changed (C) bits in each PTE keep history information about the page. They are maintained by a combination of the MPC750 table search hardware and the system software. The operating system uses this information to determine which areas of memory to write back to disk when new pages must be allocated in main memory. Referenced and changed recording is performed only for accesses made with page address translation and not for translations made with the BAT mechanism or for accesses that

correspond to direct-store (T = 1) segments. Furthermore, R and C bits are maintained only for accesses made while address translation is enabled (MSR[IR] = 1 or MSR[DR] = 1).

In the MPC750, the referenced and changed bits are updated as follows:

- For TLB hits, the C bit is updated according to Table 5-7.
- For TLB misses, when a table search operation is in progress to locate a PTE. The R and C bits are updated (set, if required) to reflect the status of the page based on this access.

**Table 5-7. Table Search Operations to Update History Bits—TLB Hit Case**

R and C bits in TLB Entry	Processor Action
00	Combination doesn't occur
01	Combination doesn't occur
10	Read: No special action Write: The MPC750 initiates a table search operation to update C.
11	No special action for read or write

The table shows that the status of the C bit in the TLB entry (in the case of a TLB hit) is what causes the processor to update the C bit in the PTE (the R bit is assumed to be set in the page tables if there is a TLB hit). Therefore, when software clears the R and C bits in the page tables in memory, it must invalidate the TLB entries associated with the pages whose referenced and changed bits were cleared.

The **dcbt** and **dcbtst** instructions can execute if there is a TLB/BAT hit or if the processor is in real addressing mode. In case of a TLB or BAT miss, these instructions are treated as no-ops; they do not initiate a table search operation and they do not set either the R or C bits.

As defined by the PowerPC architecture, the referenced and changed bits are updated as if address translation were disabled (real addressing mode). If these update accesses hit in the data cache, they are not seen on the external bus. If they miss in the data cache, they are performed as typical cache line fill accesses on bus (assuming the data cache is enabled).

#### 5.4.1.1 Referenced Bit

The referenced (R) bit of a page is located in the PTE in the page table. Every time a page is referenced (with a read or write access) and the R bit is zero, the MPC750 sets the R bit in the page table. The OEA specifies that the referenced bit may be set immediately, or the setting may be delayed until the memory access is determined to be successful. Because the reference to a page is what causes a PTE to be loaded into the TLB, the referenced bit in all MPC750 TLB entries is effectively always set. The processor never automatically clears the referenced bit.

The referenced bit is only a hint to the operating system about the activity of a page. At times, the referenced bit may be set although the access was not logically required by the

program or even if the access was prevented by memory protection. Examples of this in PowerPC systems include the following:

- Fetching of instructions not subsequently executed
- A memory reference caused by a speculatively executed instruction that is mispredicted
- Accesses generated by an **lswx** or **stswx** instruction with a zero length
- Accesses generated by an **stwcx.** instruction when no store is performed because a reservation does not exist
- Accesses that cause exceptions and are not completed

#### 5.4.1.2 Changed Bit

The changed bit of a page is located both in the PTE in the page table and in the copy of the PTE loaded into the TLB (if a TLB is implemented, as in the MPC750). Whenever a data store instruction is executed successfully, if the TLB search (for page address translation) results in a hit, the changed bit in the matching TLB entry is checked. If it is already set, it is not updated. If the TLB changed bit is 0, the MPC750 initiates the table search operation to set the C bit in the corresponding PTE in the page table. The MPC750 then reloads the TLB (with the C bit set).

The changed bit (in both the TLB and the PTE in the page tables) is set only when a store operation is allowed by the page memory protection mechanism and the store is guaranteed to be in the execution path (unless an exception, other than those caused by the **sc**, **rfi**, or trap instructions, occurs). Furthermore, the following conditions may cause the C bit to be set:

- The execution of an **stwcx.** instruction is allowed by the memory protection mechanism but a store operation is not performed.
- The execution of an **stswx** instruction is allowed by the memory protection mechanism but a store operation is not performed because the specified length is zero.
- The store operation is not performed because an exception occurs before the store is performed.

Again, note that although the execution of the **dcbt** and **dcbtst** instructions may cause the R bit to be set, they never cause the C bit to be set.

#### 5.4.1.3 Scenarios for Referenced and Changed Bit Recording

This section provides a summary of the model (defined by the OEA) that is used by PowerPC processors for maintaining the referenced and changed bits. In some scenarios, the bits are guaranteed to be set by the processor, in some scenarios, the architecture allows that the bits may be set (not absolutely required), and in some scenarios, the bits are guaranteed to not be set. Note that when the MPC750 updates the R and C bits in memory,

the accesses are performed as if MSR[DR] = 0 and G = 0 (that is, as nonguarded cacheable operations in which coherency is required).

Table 5-8 defines a prioritized list of the R and C bit settings for all scenarios. The entries in the table are prioritized from top to bottom, such that a matching scenario occurring closer to the top of the table takes precedence over a matching scenario closer to the bottom of the table. For example, if an **stwcx.** instruction causes a protection violation and there is no reservation, the C bit is not altered, as shown for the protection violation case. Note that in the table, load operations include those generated by load instructions, by the **eciwx** instruction, and by the cache management instructions that are treated as a load with respect to address translation. Similarly, store operations include those operations generated by store instructions, by the **ecowx** instruction, and by the cache management instructions that are treated as a store with respect to address translation.

**Table 5-8. Model for Guaranteed R and C Bit Settings**

Priority	Scenario	Causes Setting of R Bit		Causes Setting of C Bit	
		OEA	MPC750	OEA	MPC750
1	No-execute protection violation	No	No	No	No
2	Page protection violation	Maybe	Yes	No	No
3	Out-of-order instruction fetch or load operation	Maybe	No	No	No
4	Out-of-order store operation. Would be required by the sequential execution model in the absence of system-caused or imprecise exceptions, or of floating-point assist exception for instructions that would cause no other kind of precise exception.	Maybe <sup>1</sup>	No	No	No
5	All other out-of-order store operations	Maybe <sup>1</sup>	No	Maybe <sup>1</sup>	No
6	Zero-length load ( <b>lswx</b> )	Maybe	No	No	No
7	Zero-length store ( <b>stswx</b> )	Maybe <sup>1</sup>	No	Maybe <sup>1</sup>	No
8	Store conditional ( <b>stwcx.</b> ) that does not store	Maybe <sup>1</sup>	Yes	Maybe <sup>1</sup>	Yes
9	In-order instruction fetch	Yes <sup>2</sup>	Yes	No	No
10	Load instruction or <b>eciwx</b>	Yes	Yes	No	No
11	Store instruction, <b>ecowx</b> or <b>dcbz</b> instruction	Yes	Yes	Yes	Yes
12	<b>icbi</b> , <b>dcbt</b> , or <b>dcbst</b> instruction	Maybe	No	No	No
13	<b>dcbst</b> or <b>dcbf</b> instruction	Maybe	Yes	No	No
14	<b>dcbi</b> instruction	Maybe <sup>1</sup>	Yes	Maybe <sup>1</sup>	Yes

**Notes:**

<sup>1</sup> If C is set, R is guaranteed to be set also.

<sup>2</sup> Includes the case in which the instruction is fetched out of order and R is not set (does not apply for MPC750).

For more information, see “Page History Recording” in Chapter 7, “Memory Management,” of *The Programming Environments Manual*.

### **5.4.2 Page Memory Protection**

The MPC750 implements page memory protection as it is defined in Chapter 7, “Memory Management,” in *The Programming Environments Manual*.

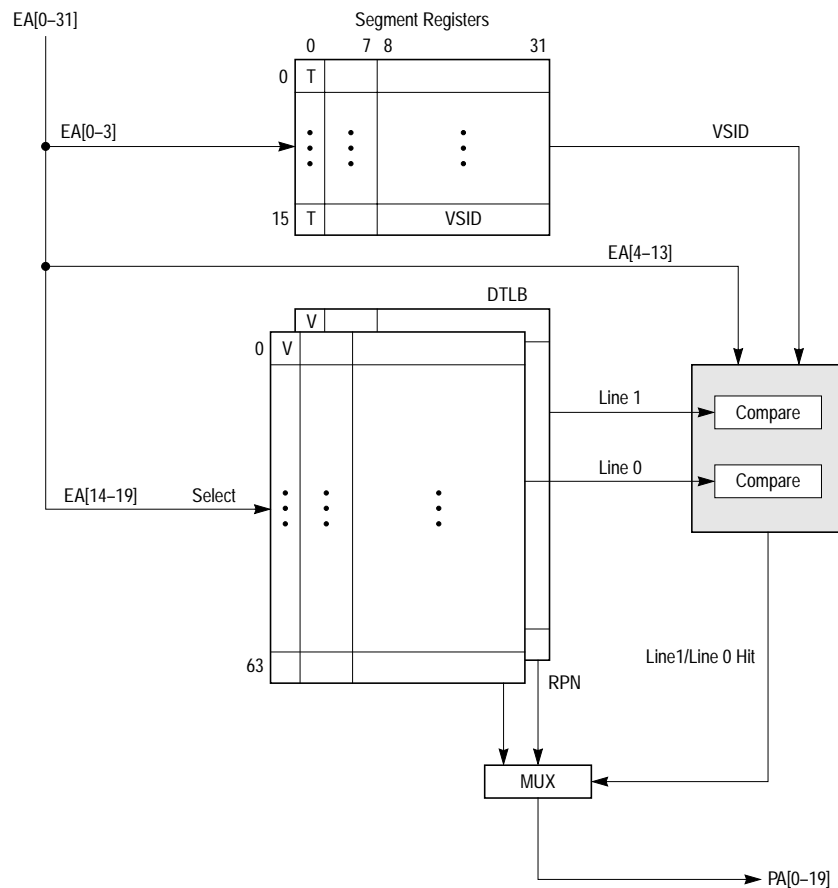
### **5.4.3 TLB Description**

The MPC750 implements separate 128-entry data and instruction TLBs to maximize performance. This section describes the hardware resources provided in the MPC750 to facilitate page address translation. Note that the hardware implementation of the MMU is not specified by the architecture, and while this description applies to the MPC750, it does not necessarily apply to other PowerPC processors.

#### **5.4.3.1 TLB Organization**

Because the MPC750 has two MMUs (IMMU and DMMU) that operate in parallel, some of the MMU resources are shared, and some are actually duplicated (shadowed) in each MMU to maximize performance. For example, although the architecture defines a single set of segment registers for the MMU, the MPC750 maintains two identical sets of segment registers, one for the IMMU and one for the DMMU; when an instruction that updates the segment register executes, the MPC750 automatically updates both sets.

Each TLB contains 128 entries organized as a two-way set-associative array with 64 sets as shown in Figure 5-7 for the DTLB (the ITLB organization is the same). When an address is being translated, a set of two TLB entries is indexed in parallel with the access to a segment register. If the address in one of the two TLB entries is valid and matches the 40-bit virtual page number, that TLB entry contains the translation. If no match is found, a TLB miss occurs.



**Figure 5-7. Segment Register and DTLB Organization**

Unless the access is the result of an out-of-order access, a hardware table search operation begins if there is a TLB miss. If the access is out of order, the table search operation is postponed until the access is required, at which point the access is no longer out of order. When the matching PTE is found in memory, it is loaded into the TLB entry selected by the least-recently-used (LRU) replacement algorithm, and the translation process begins again, this time with a TLB hit.

To uniquely identify a TLB entry as the required PTE, the PTE also contains four more bits of the page index,  $EA[0-13]$  (in addition to the API bits in of the PTE).

Software cannot access the TLB arrays directly, except to invalidate an entry with the **tlbie** instruction.

Each set of TLB entries has one associated LRU bit. The LRU bit for a set is updated any time either entry is used, even if the access is speculative. Invalid entries are always the first to be replaced.

Although both MMUs can be accessed simultaneously (both sets of segment registers and TLBs can be accessed in the same clock), only one exception condition can be reported at a time. ITLB miss exceptions are reported when there are no more instructions to be dispatched or retired (the pipeline is empty), and DTLB miss conditions are reported when the load or store instruction is ready to be retired. Refer to Chapter 6, “Instruction Timing,” for more detailed information about the internal pipelines and the reporting of exceptions.

When an instruction or data access occurs, the effective address is routed to the appropriate MMU. EA0–EA3 select one of the 16 segment registers and the remaining effective address bits and the VSID field from the segment register is passed to the TLB. EA[14–19] then select two entries in the TLB; the valid bits are checked and the 40-bit virtual page number (24-bit VSID and EA4–EA19) must match the VSID, EAPI, and API fields of the TLB entries. If one of the entries hits, the PP bits are checked for a protection violation. If these bits don’t cause an exception, the C bit is checked and a table search operation is initiated if C must be updated. If C does not require updating, the RPN value is passed to the memory subsystem and the WIMG bits are then used as attributes for the access.

Although address translation is disabled on a reset condition, the valid bits of TLB entries are not automatically cleared. Thus, TLB entries must be explicitly cleared by the system software (with the **tlbie** instruction) before the valid entries are loaded and address translation is enabled. Also, note that the segment registers do not have a valid bit, and so they should also be initialized before translation is enabled.

### 5.4.3.2 TLB Invalidation

The MPC750 implements the optional **tlbie** and **tlbsync** instructions, which are used to invalidate TLB entries. The execution of the **tlbie** instruction always invalidates four entries—both the ITLB and DTLB entries indexed by EA[14–19].

The architecture allows **tlbie** to optionally enable a TLB invalidate signaling mechanism in hardware so that other processors also invalidate their resident copies of the matching PTE. The MPC750 does not signal the TLB invalidation to other processors nor does it perform any action when a TLB invalidation is performed by another processor.

The **tlbsync** instruction causes instruction execution to stop if the  $\overline{\text{TLBISYNC}}$  signal is asserted. If  $\overline{\text{TLBISYNC}}$  is negated, instruction execution may continue or resume after the completion of a **tlbsync** instruction. Section 8.8.2, “TLBISYNC Input,” describes the TLB synchronization mechanism in further detail.

The **tlbia** instruction is not implemented on the MPC750 and when its opcode is encountered, an illegal instruction program exception is generated. To invalidate all entries of both TLBs, 64 **tlbie** instructions must be executed, incrementing the value in

EA14–EA19 by one each time. See Chapter 8, “Instruction Set,” in *The Programming Environments Manual* for detailed information about the **tlbie** instruction.

Software must ensure that instruction fetches or memory references to the virtual pages specified by the **tlbie** have been completed prior to executing the **tlbie** instruction.

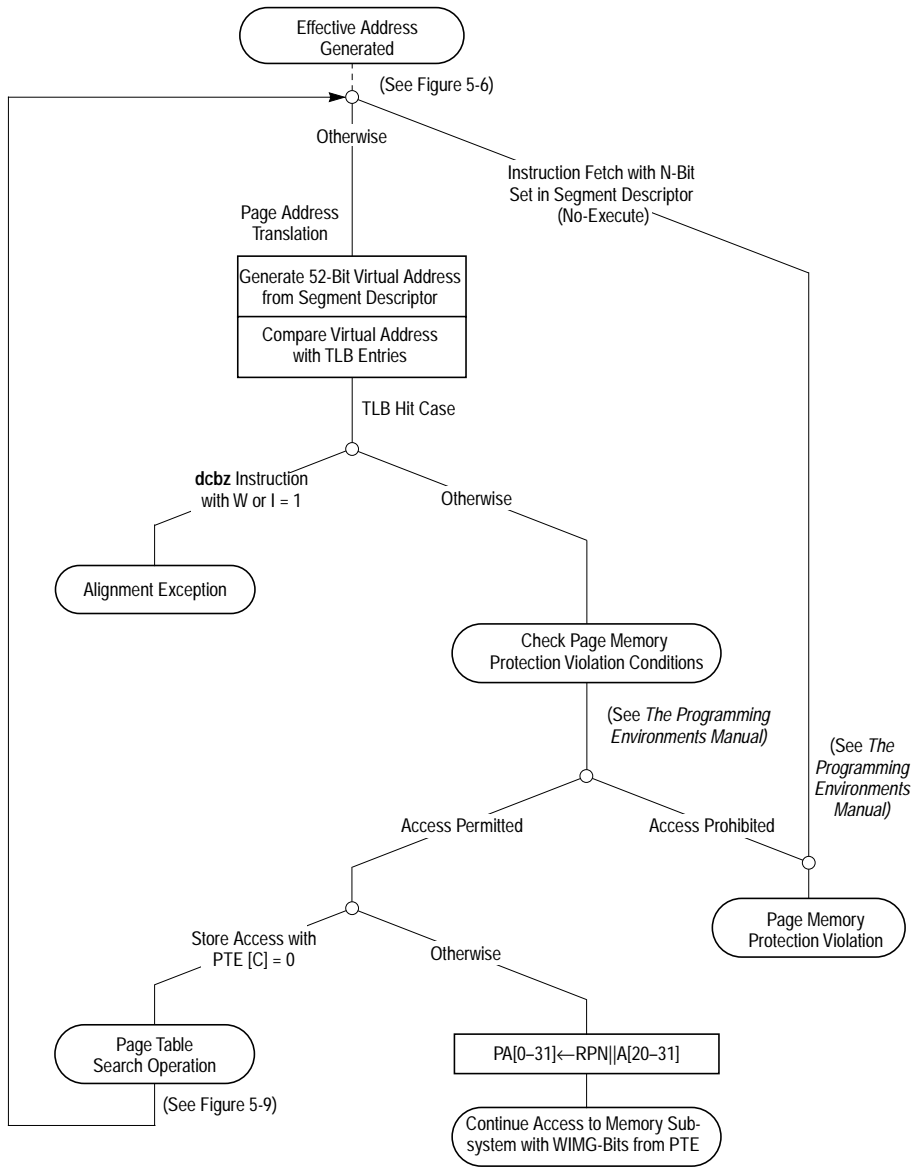
Other than the possible TLB miss on the next instruction prefetch, the **tlbie** instruction does not affect the instruction fetch operation—that is, the prefetch buffer is not purged and does not cause these instructions to be refetched.

#### 5.4.4 Page Address Translation Summary

Figure 5-8 provides the detailed flow for the page address translation mechanism.

The figure includes the checking of the N bit in the segment descriptor and then expands on the ‘TLB Hit’ branch of Figure 5-6. The detailed flow for the ‘TLB Miss’ branch of Figure 5-6 is described in Section 5.4.5, “Page Table Search Operation.” Note that as in the case of block address translation, if an attempt is made to execute a **dcbz** instruction to a page marked either write-through or caching-inhibited ( $W = 1$  or  $I = 1$ ), an alignment exception is generated. The checking of memory protection violation conditions is described in Chapter 7, “Memory Management,” in *The Programming Environments Manual*.





**Figure 5-8. Page Address Translation Flow—TLB Hit**

### 5.4.5 Page Table Search Operation

If the translation is not found in the TLBs (a TLB miss), the MPC750 initiates a table search operation which is described in this section. Formats for the PTE are given in “PTE Format for 32-Bit Implementations,” in Chapter 7, “Memory Management,” of *The Programming Environments Manual*.

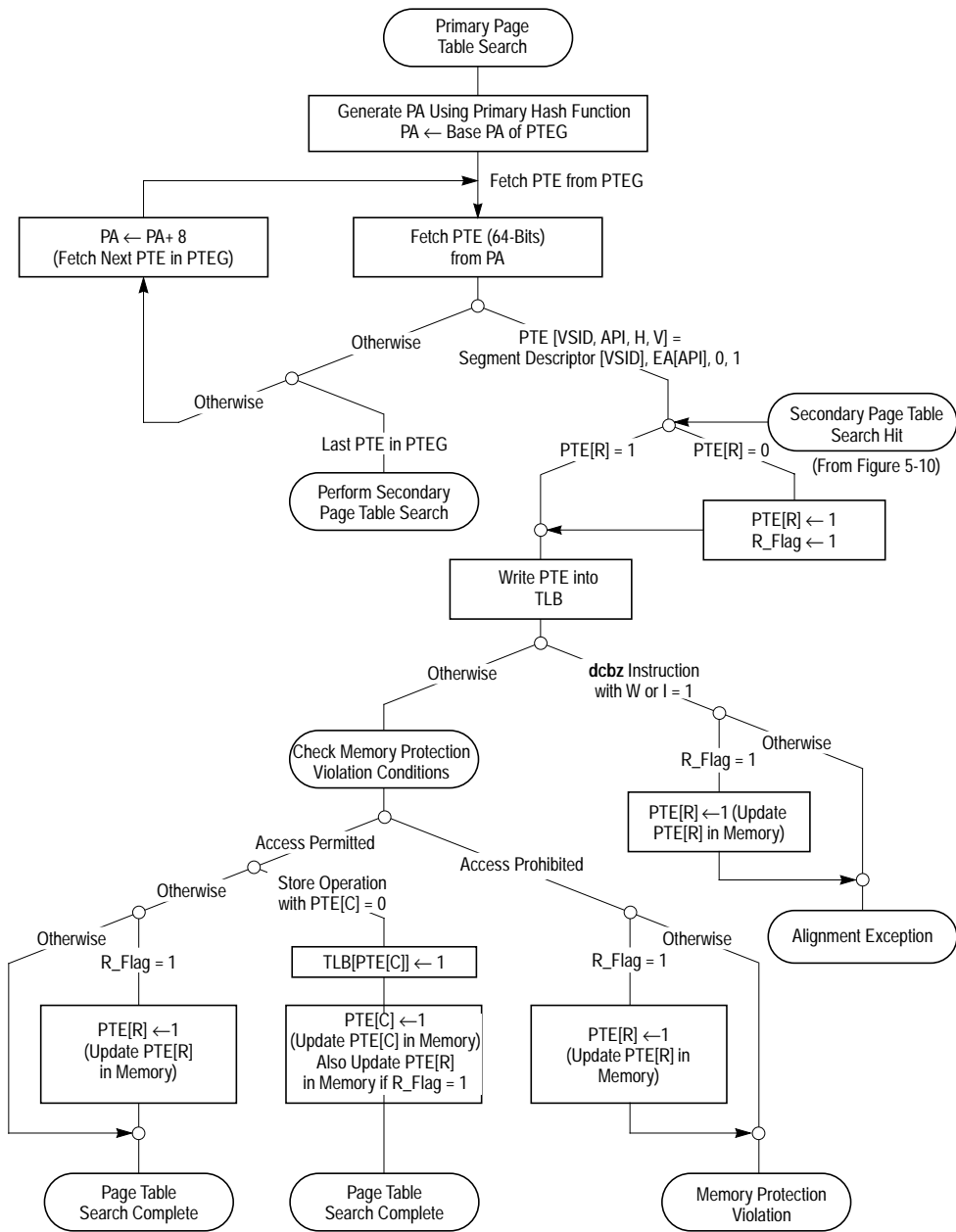
The following is a summary of the page table search process performed by the MPC750:

1. The 32-bit physical address of the primary PTEG is generated as described in “Page Table Addresses” in Chapter 7, “Memory Management,” of *The Programming Environments Manual*.
2. The first PTE (PTE0) in the primary PTEG is read from memory. PTE reads occur with an implied WIM memory/cache mode control bit setting of 0b001. Therefore, they are considered cacheable and read (burst) from memory and placed in the cache.
3. The PTE in the selected PTEG is tested for a match with the virtual page number (VPN) of the access. The VPN is the VSID concatenated with the page index field of the virtual address. For a match to occur, the following must be true:
  - PTE[H] = 0
  - PTE[V] = 1
  - PTE[VSID] = VA[0–23]
  - PTE[API] = VA[24–29]
4. If a match is not found, step 3 is repeated for each of the other seven PTEs in the primary PTEG. If a match is found, the table search process continues as described in step 8. If a match is not found within the 8 PTEs of the primary PTEG, the address of the secondary PTEG is generated.
5. The first PTE (PTE0) in the secondary PTEG is read from memory. Again, because PTE reads have a WIM bit combination of 0b001, an entire cache line is read into the on-chip cache.
6. The PTE in the selected secondary PTEG is tested for a match with the virtual page number (VPN) of the access. For a match to occur, the following must be true:
  - PTE[H] = 1
  - PTE[V] = 1
  - PTE[VSID] = VA[0–23]
  - PTE[API] = VA[24–29]
7. If a match is not found, step 6 is repeated for each of the other seven PTEs in the secondary PTEG. If it is never found, an exception is taken (step 9).

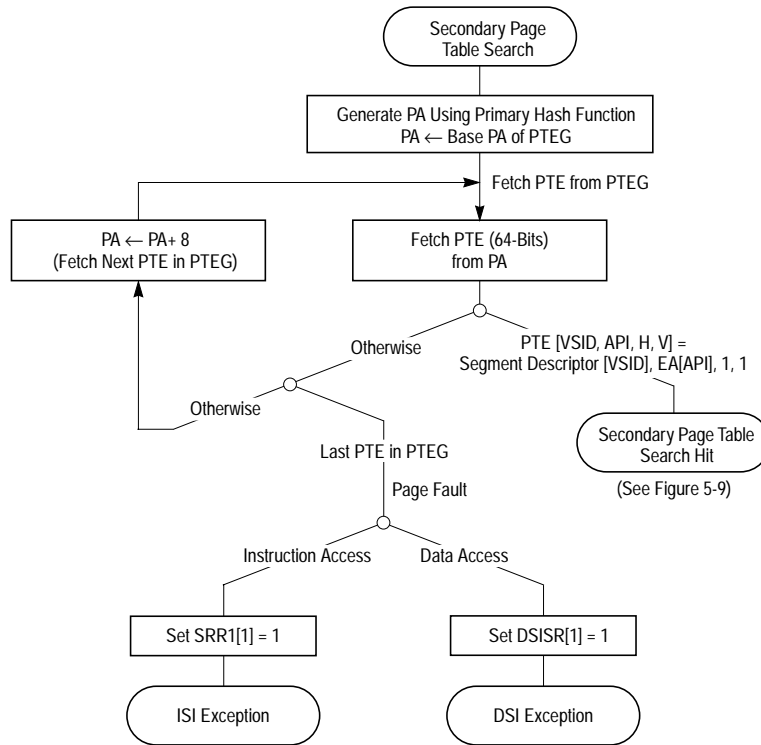
8. If a match is found, the PTE is written into the on-chip TLB and the R bit is updated in the PTE in memory (if necessary). If there is no memory protection violation, the C bit is also updated in memory (if the access is a write operation) and the table search is complete.
9. If a match is not found within the 8 PTEs of the secondary PTEG, the search fails, and a page fault exception condition occurs (either an ISI exception or a DSI exception).

Figure 5-9 and Figure 5-10 show how the conceptual model for the primary and secondary page table search operations, described in *The Programming Environments Manual*, are realized in the MPC750.

Figure 5-9 shows the case of a **dcbz** instruction that is executed with  $W = 1$  or  $I = 1$ , and that the R bit may be updated in memory (if required) before the operation is performed or the alignment exception occurs. The R bit may also be updated if memory protection is violated.



**Figure 5-9. Primary Page Table Search**



**Figure 5-10. Secondary Page Table Search Flow**

The LSU initiates out-of-order accesses without knowledge of whether it is legal to do so. Therefore, the MMU does not perform hardware table search due to TLB misses until the request is required by the program flow. In these out-of-order cases, the MMU does detect protection violations and whether a **dcbz** instruction specifies a page marked as write-through or cache-inhibited. The MMU also detects alignment exceptions caused by the **dcbz** instruction and prevents the changed bit in the PTE from being updated erroneously in these cases.

If an MMU register is being accessed by an instruction in the instruction stream, the IMMU stalls for one translation cycle to perform that operation. The sequencer serializes instructions to ensure the data correctness. For updating the IBATs and SRs, the sequencer classifies those operations as fetch serializing. After such an instruction is dispatched, the instruction buffer is flushed and the fetch stalls until the instruction completes. However, for reading from the IBATs, the operation is classified as execution serializing. As long as the LSU ensures that all previous instructions can be executed, subsequent instructions can be fetched and dispatched.

### 5.4.6 Page Table Updates

When TLBs are implemented (as in the MPC750) they are defined as noncoherent caches of the page tables. TLB entries must be flushed explicitly with the TLB invalidate entry instruction (**tlbie**) whenever the corresponding PTE is modified. As the MPC750 is intended primarily for uniprocessor environments, it does not provide coherency of TLBs between multiple processors. If the MPC750 is used in a multiprocessor environment where TLB coherency is required, all synchronization must be implemented in software.

Processors may write referenced and changed bits with unsynchronized, atomic byte store operations. Note that the V, R, and C bits each reside in a distinct byte of a PTE. Therefore, extreme care must be taken to use byte writes when updating only one of these bits.

Explicitly altering certain MSR bits (using the **mtmsr** instruction), or explicitly altering PTEs, or certain system registers, may have the side effect of changing the effective or physical addresses from which the current instruction stream is being fetched. This kind of side effect is defined as an implicit branch. Implicit branches are not supported and an attempt to perform one causes boundedly-undefined results. Therefore, PTEs must not be changed in a manner that causes an implicit branch. Chapter 2, “PowerPC Register Set,” in *The Programming Environments Manual*, lists the possible implicit branch conditions that can occur when system registers and MSR bits are changed.

### 5.4.7 Segment Register Updates

Synchronization requirements for using the move to segment register instructions are described in “Synchronization Requirements for Special Registers and for Lookaside Buffers” in Chapter 2, “PowerPC Register Set,” in *The Programming Environments Manual*.

# Chapter 6

## Instruction Timing

This chapter describes how the MPC750 microprocessor fetches, dispatches, and executes instructions and how it reports the results of instruction execution. It gives detailed descriptions of how the MPC750 execution units work, and how those units interact with other parts of the processor, such as the instruction fetching mechanism, register files, and caches. It gives examples of instruction sequences, showing potential bottlenecks and how to minimize their effects. Finally, it includes tables that identify the unit that executes each instruction implemented on the MPC750, the latency for each instruction, and other information that is useful for the assembly language programmer.

### 6.1 Terminology and Conventions

This section provides an alphabetical glossary of terms used in this chapter. These definitions are provided as a review of commonly used terms and as a way to point out specific ways these terms are used in this chapter.

- **Branch prediction**—The process of guessing whether a branch will be taken. Such predictions can be correct or incorrect; the term ‘predicted’ as it is used here does not imply that the prediction is correct (successful). The PowerPC architecture defines a means for static branch prediction as part of the instruction encoding.
- **Branch resolution**—The determination of whether a branch is taken or not taken. A branch is said to be resolved when the processor can determine which instruction path to take. If the branch is resolved as predicted, the instructions following the predicted branch that may have been speculatively executed can complete (see completion). If the branch is not resolved as predicted, instructions on the mispredicted path, and any results of speculative execution, are purged from the pipeline and fetching continues from the nonpredicted path.
- **Completion**—Completion occurs when an instruction has finished executing, written back any results, and is removed from the completion queue. When an instruction completes, it is guaranteed that this instruction and all previous instructions can cause no exceptions.

- **Fall-through (branch fall-through)**—A not-taken branch. On the MPC750, fall-through branch instructions are removed from the instruction stream at dispatch. That is, these instructions are allowed to fall through the instruction queue via the dispatch mechanism, without either being passed to an execution unit and or given a position in the completion queue.
- **Fetch**—The process of bringing instructions from memory (such as a cache or system memory) into the instruction queue.
- **Folding (branch folding)**—The replacement with target instructions of a branch instruction and any instructions along the not-taken path when a branch is either taken or predicted as taken.
- **Finish**—Finishing occurs in the last cycle of execution. In this cycle, the completion queue entry is updated to indicate that the instruction has finished executing.
- **Latency**— The number of clock cycles necessary to execute an instruction and make ready the results of that execution for a subsequent instruction.
- **Pipeline**—In the context of instruction timing, the term ‘pipeline’ refers to the interconnection of the stages. The events necessary to process an instruction are broken into several cycle-length tasks to allow work to be performed on several instructions simultaneously—analogue to an assembly line. As an instruction is processed, it passes from one stage to the next. When it does, the stage becomes available for the next instruction.

Although an individual instruction may take many cycles to complete (the number of cycles is called instruction latency), pipelining makes it possible to overlap the processing so that the throughput (number of instructions completed per cycle) is greater than if pipelining were not implemented.

- **Program order**—The order of instructions in an executing program. More specifically, this term is used to refer to the original order in which program instructions are fetched into the instruction queue from the cache.
- **Rename register**—Temporary buffers used by instructions that have finished execution but have not completed.
- **Reservation station**—A buffer between the dispatch and execute stages that allows instructions to be dispatched even though the results of instructions on which the dispatched instruction may depend are not available.
- **Retirement**—Removal of the completed instruction from the completion queue.
- **Stage**—The term ‘stage’ is used in two different senses, depending on whether the pipeline is being discussed as a physical entity or a sequence of events. In the latter case, a stage is an element in the pipeline during which certain actions are performed, such as decoding the instruction, performing an arithmetic operation, or writing back the results. A stage is typically described as taking a processor clock cycle to perform its operation; however, some events (such as dispatch and write-back) happen instantaneously, and may be thought to occur at the end of the stage.



An instruction can spend multiple cycles in one stage. An integer multiply, for example, takes multiple cycles in the execute stage. When this occurs, subsequent instructions may stall.

In some cases, an instruction may also occupy more than one stage simultaneously, especially in the sense that a stage can be seen as a physical resource—for example, when instructions are dispatched they are assigned a place in the completion queue at the same time they are passed to the execute stage. They can be said to occupy both the complete and execute stages in the same clock cycle.

- **Stall**—An occurrence when an instruction cannot proceed to the next stage.
- **Superscalar**—A superscalar processor is one that can issue multiple instructions concurrently from a conventional linear instruction stream. In a superscalar implementation, multiple instructions can be in the execute stage at the same time.
- **Throughput**—A measure of the number of instructions that are processed per cycle. For example, a series of double-precision floating-point multiply instructions has a throughput of one instruction per clock cycle.
- **Write-back**—Write-back (in the context of instruction handling) occurs when a result is written into the architectural registers (typically the GPRs and FPRs). Results are written back at completion time. Results in the write-back buffer cannot be flushed. If an exception occurs, these buffers must write back before the exception is taken.

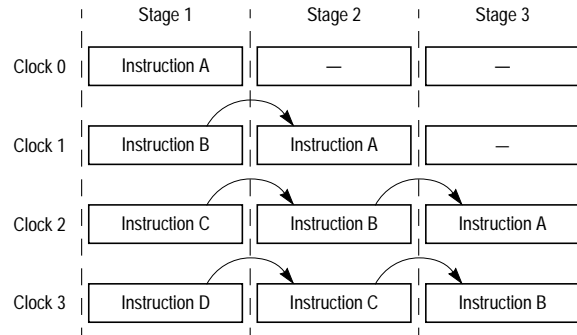
## 6.2 Instruction Timing Overview

The MPC750 design minimizes average instruction execution latency, the number of clock cycles it takes to fetch, decode, dispatch, and execute instructions and make the results available for a subsequent instruction. Some instructions, such as loads and stores, access memory and require additional clock cycles between the execute phase and the write-back phase. These latencies vary depending on whether the access is to cacheable or noncacheable memory, whether it hits in the L1 or L2 cache, whether the cache access generates a write-back to memory, whether the access causes a snoop hit from another device that generates additional activity, and other conditions that affect memory accesses.

The MPC750 implements many features to improve throughput, such as pipelining, superscalar instruction issue, branch folding, removal of fall-through branches, two-level speculative branch handling, and multiple execution units that operate independently and in parallel.

As an instruction passes from stage to stage in a pipelined system, the following instruction can follow through the stages as the former instruction vacates them, allowing several instructions to be processed simultaneously. While it may take several cycles for an instruction to pass through all the stages, when the pipeline has been filled, one instruction can complete its work on every clock cycle.

Figure 6-1 represents a generic pipelined execution unit.



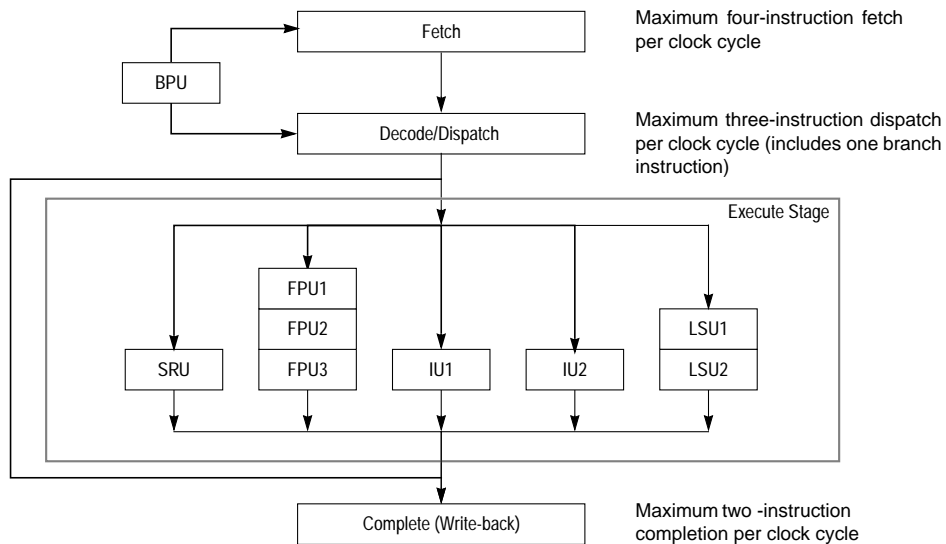
**Figure 6-1. Pipelined Execution Unit**

The entire path that instructions take through the fetch, decode/dispatch, execute, complete, and write-back stages is considered the MPC750's master pipeline, and two of the MPC750's execution units (the FPU and LSU) are also multiple-stage pipelines.

The MPC750 contains the following execution units that operate independently and in parallel:

- Branch processing unit (BPU)
- Integer unit 1 (IU1)—executes all integer instructions
- Integer unit 2 (IU2)—executes all integer instructions except multiplies and divides
- 64-bit floating-point unit (FPU)
- Load/store unit (LSU)
- System register unit (SRU)

The MPC750 can retire two instructions on every clock cycle. In general, the MPC750 processes instructions in four stages—fetch, decode/dispatch, execute, and complete as shown in Figure 6-2. Note that the example of a pipelined execution unit in Figure 6-1 is similar to the three-stage FPU pipeline in Figure 6-2.



**Figure 6-2. Superscalar/Pipeline Diagram**

The instruction pipeline stages are described as follows:

- The instruction fetch stage includes the clock cycles necessary to request instructions from the memory system and the time the memory system takes to respond to the request. Instruction fetch timing depends on many variables, such as whether the instruction is in the branch target instruction cache, the on-chip instruction cache, or the L2 cache. Those factors increase when it is necessary to fetch instructions from system memory, and include the processor-to-bus clock ratio, the amount of bus traffic, and whether any cache coherency operations are required.

Because there are so many variables, unless otherwise specified, the instruction timing examples below assume optimal performance, that the instructions are available in the instruction queue in the same clock cycle that they are requested. The fetch stage ends when the instruction is dispatched.

- The decode/dispatch stage consists of the time it takes to fully decode the instruction and dispatch it from the instruction queue to the appropriate execution unit. Instruction dispatch requires the following:
  - Instructions can be dispatched only from the two lowest instruction queue entries, IQ0 and IQ1.
  - A maximum of two instructions can be dispatched per clock cycle (although an additional branch instruction can be handled by the BPU).
  - Only one instruction can be dispatched to each execution unit per clock cycle.
  - There must be a vacancy in the specified execution unit.

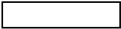
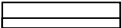

- A rename register must be available for each destination operand specified by the instruction.
- For an instruction to dispatch, the appropriate execution unit must be available and there must be an open position in the completion queue. If no entry is available, the instruction remains in the IQ.
- The execute stage consists of the time between dispatch to the execution unit (or reservation station) and the point at which the instruction vacates the execution unit. Most integer instructions have a one-cycle latency; results of these instructions can be used in the clock cycle after an instruction enters the execution unit. However, integer multiply and divide instructions take multiple clock cycles to complete. The IU1 can process all integer instructions; the IU2 can process all integer instructions except multiply and divide instructions.

The LSU and FPU are pipelined (as shown in Figure 6-2).

- The complete (complete/write-back) pipeline stage maintains the correct architectural machine state and commits it to the architectural registers at the proper time. If the completion logic detects an instruction containing an exception status, all following instructions are cancelled, their execution results in rename registers are discarded, and the correct instruction stream is fetched.

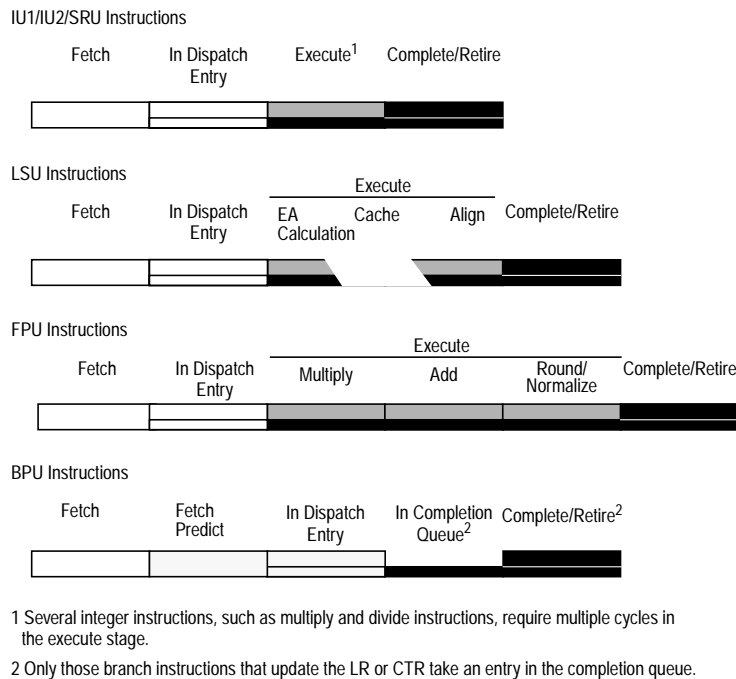
The complete stage ends when the instruction is retired. Two instructions can be retired per cycle. Instructions are retired only from the two lowest completion queue entries, CQ0 and CQ1.

The notation conventions used in the instruction timing examples are as follows:

-  Fetch—The fetch stage includes the time between when an instruction is requested and when it is brought into the instruction queue. This latency can be very variable, depending upon whether the instruction is in the BTIC, the on-chip cache, the L2 cache, or system memory (in which case latency can be affected by bus speed and traffic on the system bus, and address translation issues). Therefore, in the examples in this chapters, the fetch stage is usually idealized, that is, an instruction is usually shown to be in the fetch stage when it is a valid instruction in the instruction queue. The instruction queue has six entries, IQ0–IQ5.
-  In dispatch entry (IQ0/IQ1)—Instructions can be dispatched from IQ0 and IQ1. Because dispatch is instantaneous, it is perhaps more useful to describe it as an event that marks the point in time between the last cycle in the fetch stage and the first cycle in the execute stage.
-  Execute—The operations specified by an instruction are being performed by the appropriate execution unit. The black stripe is a reminder that the instruction occupies an entry in the completion queue, described in Figure 6-3.

- Complete—The instruction is in the completion queue. In the final stage, the results of the executed instruction are written back and the instruction is retired. The completion queue has six entries, CQ0–CQ5.
- In retirement entry—Completed instructions can be retired from CQ0 and CQ1. Like dispatch, retirement is an event that in this case occurs at the end of the final cycle of the complete stage.

Figure 6-3 shows the stages of MPC750 execution units.



**Figure 6-3. MPC750 Microprocessor Pipeline Stages**

### 6.3 Timing Considerations

The MPC750 is a superscalar processor; as many as three instructions can be issued to the execution units (one branch instruction to the branch processing unit, and two instructions issued from the dispatch queue to the other execution units) during each clock cycle. Only one instruction can be dispatched to each execution unit.

Although instructions appear to the programmer to execute in program order, the MPC750 improves performance by executing multiple instructions at a time, using hardware to manage dependencies. When an instruction is dispatched, the register file provides the

source data to the execution unit. The register files and rename register have sufficient bandwidth to allow dispatch of two instructions per clock under most conditions.

The MPC750's BPU decodes and executes branches immediately after they are fetched. When a conditional branch cannot be resolved due to a CR data dependency, the branch direction is predicted and execution continues from the predicted path. If the prediction is incorrect, the following steps are taken:

1. The instruction queue is purged and fetching continues from the correct path.
2. Any instructions ahead of the predicted branch in the completion queue are allowed to complete.
3. Instructions after the mispredicted branch are purged.
4. Dispatching resumes from the correct path.

After an execution unit finishes executing an instruction, it places resulting data into the appropriate GPR or FPR rename register. The results are then stored into the correct GPR or FPR during the write-back stage. If a subsequent instruction needs the result as a source operand, it is made available simultaneously to the appropriate execution unit, which allows a data-dependent instruction to be decoded and dispatched without waiting to read the data from the register file. Branch instructions that update either the LR or CTR write back their results in a similar fashion.

The following section describes this process in greater detail.

### **6.3.1 General Instruction Flow**

As many as four instructions can be fetched into the instruction queue (IQ) in a single clock cycle. Instructions enter the IQ and are issued to the various execution units from the dispatch queue. The MPC750 tries to keep the IQ full at all times, unless instruction cache throttling is operating.

The number of instructions requested in a clock cycle is determined by the number of vacant spaces in the IQ during the previous clock cycle. This is shown in the examples in this chapter. Although the instruction queue can accept as many as four new instructions in a single clock cycle, if only one IQ entry is vacant, only one instruction is fetched. Typically instructions are fetched from the on-chip instruction cache, but they may also be fetched from the branch target instruction cache (BTIC). If the instruction request hits in the BTIC, it can usually present the first two instructions of the new instruction stream in the next clock cycle, giving enough time for the next pair of instructions to be fetched from the instruction cache with no idle cycles. If instructions are not in the BTIC or the on-chip instruction cache, they are fetched from the L2 cache or from system memory.

The MPC750's instruction cache throttling feature, managed through the instruction cache throttling control (ICTC) register, can lower the processor's overall junction temperature by slowing the instruction fetch rate. See Chapter 10, "Power and Thermal Management."

Branch instructions are identified by the fetcher, and forwarded to the BPU directly, bypassing the dispatch queue. If the branch is unconditional or if the specified conditions are already known, the branch can be resolved immediately. That is, the branch direction is known and instruction fetching can continue from the correct location. Otherwise, the branch direction must be predicted. The MPC750 offers several resources to aid in quick resolution of branch instructions and for improving the accuracy of branch predictions. These include the following:

- Branch target instruction cache—The 64-entry (four-way-associative) branch target instruction cache (BTIC) holds branch target instructions so when a branch is encountered in a repeated loop, usually the first two instructions in the target stream can be fetched into the instruction queue on the next clock cycle. The BTIC can be disabled and invalidated through bits in HID0.
- Dynamic branch prediction—The 512-entry branch history table (BHT) is implemented with two bits per entry for four degrees of prediction—not-taken, strongly not-taken, taken, strongly taken. Whether a branch instruction is taken or not-taken can change the strength of the next prediction. This dynamic branch prediction is not defined by the PowerPC architecture.

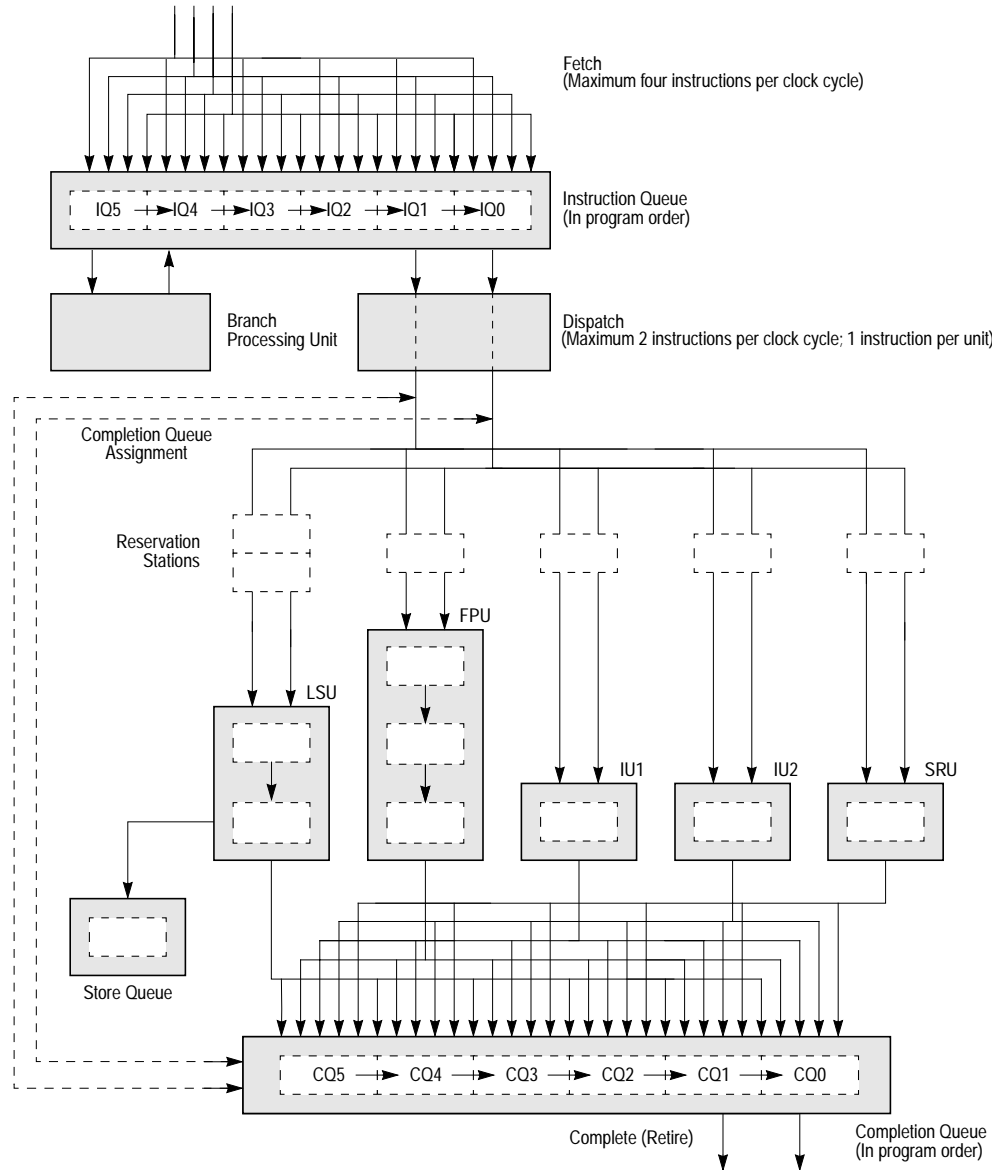
To reduce aliasing, only predicted branches update the BHT entries. Dynamic branch prediction is enabled by setting HID0[BHT]; otherwise, static branch prediction is used.

- Static branch prediction—Static branch prediction is defined by the PowerPC architecture and involves encoding the branch instructions. See Section 6.4.1.3.1, “Static Branch Prediction.”

Branch instructions that do not update the LR or CTR are removed from the instruction stream either by branch folding or removal of fall-through branch instructions, as described in Section 6.4.1.1, “Branch Folding and Removal of Fall-Through Branch Instructions.” Branch instructions that update the LR or CTR are treated as if they require dispatch (even though they are not issued to an execution unit in the process). They are assigned a position in the completion queue to ensure that the CTR and LR are updated sequentially.

All other instructions are issued from the IQ0 and IQ1. The dispatch rate depends upon the availability of resources such as the execution units, rename registers, and completion queue entries, and upon the serializing behavior of some instructions. Instructions are dispatched in program order; an instruction in IQ1 cannot be dispatched ahead of one in IQ0.

Figure 6-4 shows the paths taken by instructions.



**Figure 6-4. Instruction Flow Diagram**



## 6.3.2 Instruction Fetch Timing

Instruction fetch latency depends on whether the fetch hits the BTIC, the on-chip instruction cache, or the L2 cache, if one is implemented. If no cache hit occurs, a memory transaction is required in which case fetch latency is affected by bus traffic, bus clock speed, and memory translation. These issues are discussed further in the following sections.

### 6.3.2.1 Cache Arbitration

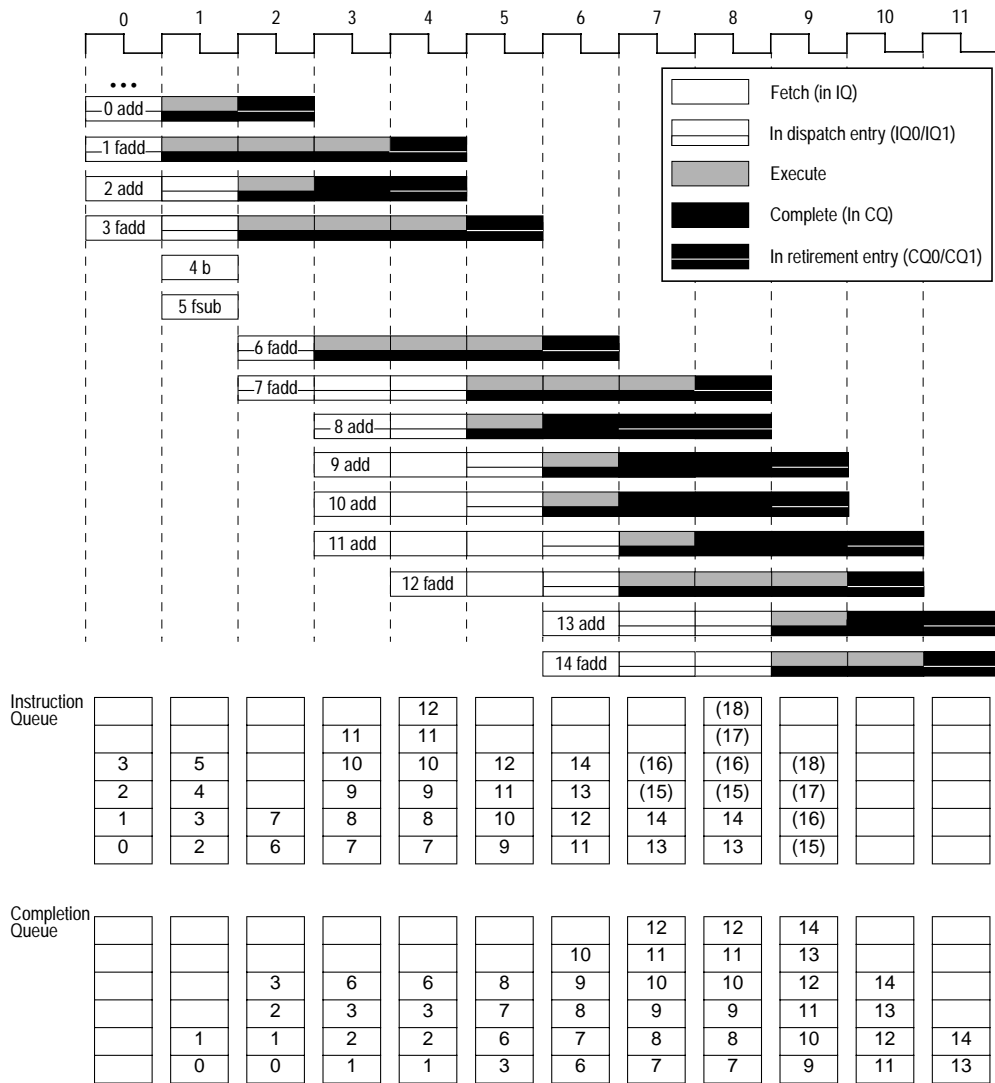
When the instruction fetcher requests instructions from the instruction cache, two things may happen. If the instruction cache is idle and the requested instructions are present, they are provided on the next clock cycle. However, if the instruction cache is busy due to a cache-line-reload operation, instructions cannot be fetched until that operation completes.

### 6.3.2.2 Cache Hit

If the instruction fetch hits the instruction cache, it takes only one clock cycle after the request for as many as four instructions to enter the instruction queue. Note that the cache is not blocked to internal accesses during a cache reload completes (hits under misses). The critical double word is written simultaneously to the cache and forwarded to the requesting unit, minimizing stalls due to load delays.

Figure 6-5 shows a simple example of instruction fetching that hits in the on-chip cache. This example uses a series of integer add and double-precision floating-point add instructions to show how the number of instructions to be fetched is determined, how program order is maintained by the instruction and completion queues, how instructions are dispatched and retired in pairs (maximum), and how the FPU, IU1, and IU2 pipelines function. The following instruction sequence is examined:

```
0  add
1  fadd
2  add
3  fadd
4  br 6
5  fsub
6  fadd
7  fadd
8  add
9  add
10 add
11 add
12 fadd
13 add
14 fadd
15 .
16 .
17 .
```



**Figure 6-5. Instruction Timing—Cache Hit**

The instruction timing for this example is described cycle-by-cycle as follows:

0. In cycle 0, instructions 0–3 are fetched from the instruction cache. Instructions 0 and 1 are placed in the two entries in the instruction queue from which they can be dispatched on the next clock cycle.

1. In cycle 1, instructions 0 and 1 are dispatched to the IU2 and FPU, respectively. Notice that for instructions to be dispatched they must be assigned positions in the completion queue. In this case, since the completion queue was empty, instructions 0 and 1 take the two lowest entries in the completion queue. Instructions 2 and 3 drop into the two dispatch positions in the instruction queue. Because there were two positions available in the instruction queue in clock cycle 0, two instructions (4 and 5) are fetched into the instruction queue. Instruction 4 is a branch unconditional instruction, which resolves immediately as taken. Because the branch is taken, it can therefore be folded from the instruction queue.
2. In cycle 2, assume a BTIC hit occurs and target instructions 6 and 7 are fetched into the instruction queue, replacing the folded **b** instruction (4) and instruction 5. Instruction 0 completes, writes back its results and vacates the completion queue by the end of the clock cycle. Instruction 1 enters the second FPU execute stage, instruction 2 is dispatched to the IU2, and instruction 3 is dispatched into the first FPU execute stage. Because the taken branch instruction (4) does not update either CTR or LR, it does not require a position in the completion queue and can be folded.
3. In cycle 3, target instructions (6 and 7) are fetched, replacing instructions 4 and 5 in IQ0 and IQ1. This replacement on taken branches is called branch folding. Instruction 1 proceeds through the last of the three FPU execute stages. Instruction 2 has executed but must remain in the completion queue until instruction 1 completes. Instruction 3 replaces instruction 1 in the second stage of the FPU, and instruction 6 replaces instruction 3 in the first stage. Also, as will be shown in cycle 4, there is a single-cycle stall that occurs when the FPU pipeline is full.  
  
Because there were three vacancies in the instruction queue in the previous clock cycle, instructions 8–11 are fetched in this clock cycle.
4. Instruction 1 completes in cycle 4, allowing instruction 2 to complete. Instructions 3 and 6 continue through the FPU pipeline. Although instruction 7 is in IQ1, it cannot be dispatched because the FPU is busy, and because instruction 7 cannot be dispatched neither can instruction 8. The additional cycle stall allows the instruction queue to be completely filled. Because there was one opening in the instruction queue in clock cycle 3, one instruction is fetched (12) and the instruction queue is full.
5. In cycle 5, instruction 3 completes, allowing instruction 7 to be dispatched to the FPU, which in turn allows instruction 8 to be dispatched to the IU2. Instructions 9 and 10 drop to the dispatch positions in the instruction queue. No instructions are fetched in this clock cycle because there were no vacant IQ entries in clock cycle 4.
6. In cycle 6, instruction 6 completes, instruction 7 is in stage 2 of the FPU execute stage, and although instruction 8 has executed, it must wait for instruction 7 to complete. The two integer instructions, 9 and 10, are dispatched to the IU2 and IU1, respectively. Fetching resumes with instructions 13 and 14.

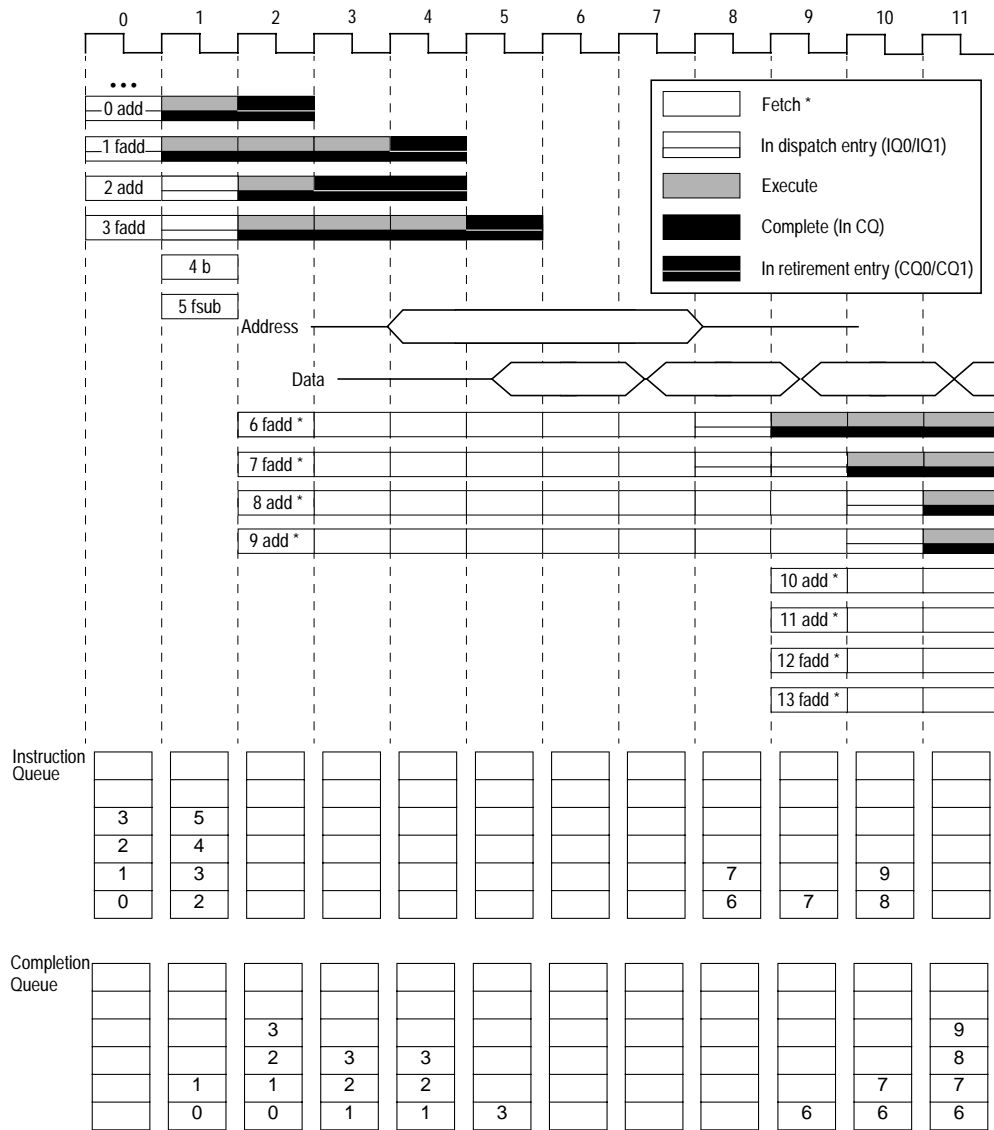
7. In cycle 7, instruction 7 is in the final FPU execute stage and instructions 8–10 wait in the completion queue. Instructions 11 and 12 are dispatched to the IU2 and FPU, respectively. Note that at this point the completion queue is full. Two more instructions (15 and 16, which are shown only in the instruction queue) are fetched.
8. In cycle 8, instructions 7–11 are through executing. Instructions 7 and 8 complete, write back, and vacate the completion queue. Because the completion queue is full, instructions 13 and 14 cannot be dispatched and must remain in the instruction queue. Only the FPU is executing during this cycle (instruction 12). Additional instructions (instructions 16 and 17, shown only in the instruction queue) are fetched, filling the instruction queue.
9. In cycle 9, two more instructions (instructions 7 and 8) are retired from the completion queue allowing instructions 13 and 14 to be dispatched, again filling the completion queue. No instructions are fetched on this cycle because the instruction queue was full on the previous clock cycle.

### 6.3.2.3 Cache Miss

Figure 6-6 shows an instruction fetch that misses both the on-chip cache and L2 cache. A processor/bus clock ratio of 1:2 is used. The same instruction sequence is used as in Section 6.3.2.2, “Cache Hit,” however in this example, the branch target instruction is not in either the L1 or L2 cache. Because the target instruction is not in the L1 cache, it cannot be in the BTIC.

A cache miss, extends the latency of the fetch stage, so in this example, the fetch stage shown represents not only the time the instruction spends in the IQ, but the time required for the instruction to be loaded from system memory, beginning in clock cycle 2.

During clock cycle 3, the target instruction for the **b** instruction is not in the BTIC, the instruction cache or the L2 cache; therefore, a memory access must occur. During clock cycle 5, the address of the block of instructions is sent to the system bus. During clock cycle 7, two instructions (64 bits) are returned from memory on the first beat and are forwarded both to the cache and the instruction fetcher.



**Figure 6-6. Instruction Timing—Cache Miss**

### 6.3.2.4 L2 Cache Access Timing Considerations (MPC750 Only)

If an instruction fetch misses both the BTIC and the on-chip instruction cache, the MPC750 next looks in the L2 cache. If the requested instructions are there, they are burst into the

MPC750 in much the same way as shown in Figure 6-6. The formula for the L2 cache latency for instruction accesses is as follows:

1 processor clock + 3 L2 clocks + 1 processor clock

Therefore, if the L2 is operating in 2:1 mode, the instruction fetch takes 8 processor clock cycles. Additional factors can also affect this latency, including the type of memory used to implement the L2 and whether the processor clock and L2 clocks are aligned immediately.

For more information about the L2 cache implementation, see Chapter 9, “L2 Cache Interface Operation.”

### 6.3.3 Instruction Dispatch and Completion Considerations

Several factors affect the MPC750’s ability to dispatch instructions at a peak rate of two per cycle—the availability of the execution unit, destination rename registers, and completion queue, as well as the handling of completion-serialized instructions. Several of these limiting factors are illustrated in the previous instruction timing examples.

To reduce dispatch unit stalls due to instruction data dependencies, the MPC750 provides a single-entry reservation station for the FPU, SRU, and each IU, and a two-entry reservation station for the LSU. If a data dependency keeps an instruction from starting execution, that instruction is dispatched to the reservation station associated with its execution unit (and the rename registers are assigned), thereby freeing the positions in the instruction queue so instructions can be dispatched to other execution units. Execution begins during the same clock cycle that the rename buffer is updated with the data the instruction is dependent on.

If both instructions in IQ0 and IQ1 require the same execution unit, the instruction in IQ1 cannot be dispatched until the first instruction proceeds through the pipeline and provides the subsequent instruction with a vacancy in the requested execution unit.

The completion unit maintains program order after instructions are dispatched from the instruction queue, guaranteeing in-order completion and a precise exception model. Completing an instruction implies committing execution results to the architected destination registers. In-order completion ensures the correct architectural state when the MPC750 must recover from a mispredicted branch or an exception.

Instruction state and all information required for completion is kept in the six-entry, first-in/first-out completion queue. An completion queue entry is allocated for each instruction when it is dispatched to an execute unit; if no entry is available, the dispatch unit stalls. A maximum of two instructions per cycle may be completed and retired from the completion queue, and the flow of instructions can stall when a longer-latency instruction reaches the last position in the completion queue. Subsequent instructions cannot be completed and retired until that longer-latency instruction completes and retires. Examples of this are shown in Section 6.3.2.2, “Cache Hit,” and Section 6.3.2.3, “Cache Miss.”

The MPC750 can execute instructions out-of-order, but in-order completion by the completion unit ensures a precise exception mechanism. Program-related exceptions are signaled when the instruction causing the exception reaches the last position in the completion queue. Prior instructions are allowed to complete before the exception is taken.

### 6.3.3.1 Rename Register Operation

To avoid contention for a given register file location in the course of out-of-order execution, the MPC750 provides rename registers for holding instruction results before the completion commits them to the architected register. There are six GPR rename registers, six FPR rename registers, and one each for the CR, LR, and CTR.

When the dispatch unit dispatches an instruction to its execution unit, it allocates a rename register (or registers) for the results of that instruction. If an instruction is dispatched to a reservation station associated with an execution unit due to a data dependency, the dispatcher also provides a tag to the execution unit identifying the rename register that forwards the required data at completion. When the source data reaches the rename register, execution can begin.

Instruction results are transferred from the rename registers to the architected registers by the completion unit when an instruction is retired from the completion queue without exceptions and after any predicted branch conditions preceding it in the completion queue have been resolved correctly. If a branch prediction was incorrect, the instructions following the branch are flushed from the completion queue, and any results of those instructions are flushed from the rename registers.

### 6.3.3.2 Instruction Serialization

Although the MPC750 can dispatch and complete two instructions per cycle, so-called serializing instructions limit dispatch and completion to one instruction per cycle. There are three types of instruction serialization:

- Execution serialization—Execution-serialized instructions are dispatched, held in the functional unit and do not execute until all prior instructions have completed. A functional unit holding an execution-serialized instruction will not accept further instructions from the dispatcher. For example, execution serialization is used for instructions that modify nonrenamed resources. Results from these instructions are generally not available or forwarded to subsequent instructions until the instruction completes (using `mtspr` to write to LR or CTR does provide forwarding to branch instructions).
- Completion serialization (also referred to as post-dispatch or tail serialization)—Completion-serialized instructions inhibit dispatching of subsequent instructions until the serialized instruction completes. Completion serialization is used for instructions that bypass the normal rename mechanism.
- Refetch serialization (flush serialization)—Refetch-serialized instructions inhibit dispatch of subsequent instructions and force refetching of subsequent instructions after completion.

## 6.4 Execution Unit Timings

The following sections describe instruction timing considerations within each of the respective execution units in the MPC750.

### 6.4.1 Branch Processing Unit Execution Timing

Flow control operations (conditional branches, unconditional branches, and traps) are typically expensive to execute in most machines because they disrupt normal flow in the instruction stream. When a change in program flow occurs, the IQ must be reloaded with the target instruction stream. Previously issued instructions will continue to execute while the new instruction stream makes its way into the IQ, but depending on whether the target instruction is in the BTIC, instruction cache, L2 cache, or in system memory, some opportunities may be missed to execute instructions, as the example in Section 6.3.2.3, “Cache Miss,” shows.

Performance features such as the branch folding, removal of fall-through branch instructions, BTIC, dynamic branch prediction (implemented in the BHT), two-level branch prediction, and the implementation of nonblocking caches minimize the penalties associated with flow control operations on the MPC750. The timing for branch instruction execution is determined by many factors including the following:

- Whether the branch is taken
- Whether instructions in the target stream, typically the first two instructions in the target stream, are in the branch target instruction cache (BTIC)
- Whether the target instruction stream is in the on-chip cache
- Whether the branch is predicted
- Whether the prediction is correct

#### 6.4.1.1 Branch Folding and Removal of Fall-Through Branch Instructions

When a branch instruction is encountered by the fetcher, the BPU immediately begins to decode it and tries to resolve it. All branch instructions except those that update either the LR or CTR are removed from the instruction flow before they would take a position in the completion queue.

Branch folding occurs either when a branch is taken or is predicted as taken (as is the case with unconditional branches). When the BPU folds the branch instruction out of the instruction stream, the target instruction stream that is fetched into the instruction queue overwrites the branch instruction.

Figure 6-7 shows branch folding. Here a **br** instruction is encountered in a series of **add** instructions. The branch is resolved as taken. What happens on the next clock cycle depends on whether the target instruction stream is in the BTIC, the instruction cache, or if it must be fetched from the L2 cache or from system memory.

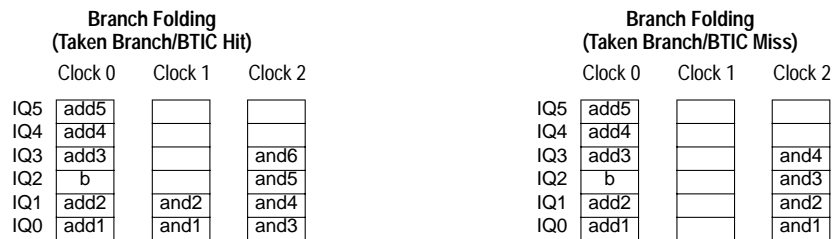


Figure 6-7 shows cases where there is a BTIC hit, and when there is a BTIC miss (and instruction cache hit).

If there is a BTIC hit on the next clock cycle the **b** instruction is replaced by the target instruction, **and1**, that was found in the BTIC; the second **and** instruction is also fetched from the BTIC. On the next clock cycle, the next four **and** instructions from the target stream are fetched from the instruction cache.

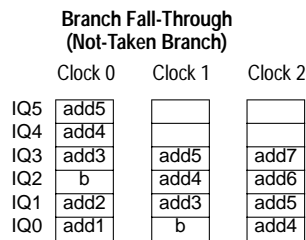
If the target instruction is not in the BTIC, there is an idle cycle while the fetcher attempts to fetch the first four instructions from the instruction cache (on the next clock cycle). In the example in Figure 6-7, the first four target instruction are fetched on the next clock.

If it misses in the caches, an L2 cache or memory access is required, the latency of which is dependent on several factors, such as processor/bus clock ratios. In most cases, new instructions arrive in the IQ before the execution units become idle.



**Figure 6-7. Branch Folding**

Figure 6-8 shows the removal of fall-through branch instructions, which occurs when a branch is not taken or is predicted as not taken.



**Figure 6-8. Removal of Fall-Through Branch Instruction**

In this case the branch instruction remains in the instruction queue and is removed from the instruction stream as if it were dispatched. However, it is not dispatched to an execution unit and is not assigned an entry in the completion queue.

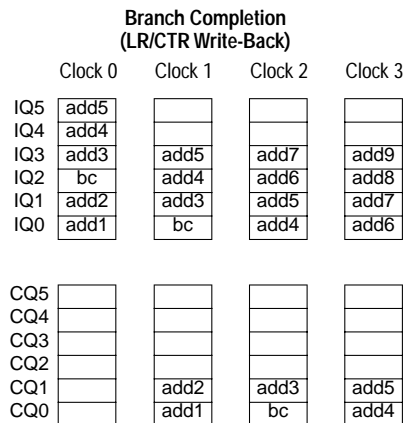
When a branch instruction is detected before it reaches a dispatch position, and if the branch is correctly predicted as taken, folding the branch instruction (and any instructions from the incorrect path) reduces the latency required for flow control to zero; instruction execution proceeds as though the branch was never there.

The advantage of removing the fall-through branch instructions at dispatch is only marginally less than that of branch folding. Because the branch is not taken, only the branch instruction needs to be discarded. The only cost of expelling the branch instruction from one of the dispatch entries rather than folding it is missing a chance to dispatch an executable instruction from that position.

### 6.4.1.2 Branch Instructions and Completion

As described in the previous section, instructions that do not update either the LR or CTR are removed from the instruction stream before they reach the completion queue, either by branch folding (in the case of taken branches) or by removing fall-through branch instructions at dispatch (in the case of non-taken branches). However, branch instructions that update the architected LR and CTR must do so in program order and therefore must perform write-back in the completion stage, like the instructions that update the FPRs and GPRs.

Branch instructions that update the CTR or LR pass through the instruction queue like nonbranch instructions. At the point of dispatch, however, they are not sent to an execution unit, but rather are assigned a slot in the completion queue, as shown in Figure 6-9.



**Figure 6-9. Branch Completion**

In this example, the **bc** instruction is encoded to decrement the CTR. It is predicted as not-taken in clock cycle 0. In clock cycle 2, **bc** and **add3** are both dispatched. In clock cycle 3, the architected CTR is updated and the **bc** instruction is retired from the completion queue.

### 6.4.1.3 Branch Prediction and Resolution

The MPC750 supports the following two types of branch prediction:

- Static branch prediction—This is defined by the PowerPC architecture as part of the encoding of branch instructions.
- Dynamic branch prediction—This is a processor-specific mechanism implemented in hardware (in particular the branch history table, or BHT) that monitors branch instruction behavior and maintains a record from which the next occurrence of the branch instruction is predicted.

When a conditional branch cannot be resolved due to a CR data dependency, the BPU predicts whether it will be taken, and instruction fetching proceeds down the predicted path. If the branch prediction resolves as incorrect, the instruction queue and all subsequently executed instructions are purged, instructions executed prior to the predicted branch are allowed to complete, and instruction fetching resumes down the correct path.

The MPC750 executes through two levels of prediction. Instructions from the first unresolved branch can execute, but they cannot complete until the branch is resolved. If a second branch instruction is encountered in the predicted instruction stream, it can be predicted and instructions can be fetched, but not executed, from the second branch. No action can be taken for a third branch instruction until at least one of the two previous branch instructions is resolved.

The number of instructions that can be executed after the issue of a predicted branch instruction is limited by the fact that no instruction executed after a predicted branch may actually update the register files or memory until the branch is completed. That is, instructions may be issued and executed, but cannot reach the write-back stage in the completion unit. When an instruction following a predicted branch completes execution, it does not write back its results to the architected registers, instead, it stalls in the completion queue. Of course, when the completion queue is full, no additional instructions can be dispatched, even if an execution unit is idle.

In the case of a misprediction, the MPC750 can easily redirect its machine state because the programming model has not been updated. When a branch is mispredicted, all instructions that were dispatched after the predicted branch instruction are flushed from the completion queue and any results are flushed from the rename registers.

The BTIC is a cache of recently used branch target instructions. If the search for the branch target hits in the cache, the first one or two branch instructions is available in the instruction queue on the next cycle (shown in Figure 6-5). Two instructions are fetched on a BTIC hit, unless the branch target is the last instruction in a cache block, in which case one instruction is fetched.

In some situations, an instruction sequence creates dependencies that keep a branch instruction from being resolved immediately, thereby delaying execution of the subsequent

instruction stream based on the predicted outcome of the branch instruction. The instruction sequences and the resulting action of the branch instruction are described as follows:

- An **mtspr**(LK) followed by a **bclr**—Fetching stops and the branch waits for the **mtspr** to execute.
- An **mtspr**(CTR) followed by a **bcctr**—Fetching stops and the branch waits for the **mtspr** to execute.
- An **mtspr**(CTR) followed by a **bc** (CTR decrement)—Fetching stops and the branch waits for the **mtspr** to execute.
- A third **bc**(based-on-CR) is encountered while there are two unresolved **bc**(based-on-CR). The third **bc**(based-on-CR) is not executed and fetching stops until one of the previous **bc**(based-on-CR) is resolved. (Note that branch conditions can be a function of the CTR and the CR; if the CTR condition is sufficient to resolve the branch, then a CR-dependency is ignored.)

#### 6.4.1.3.1 Static Branch Prediction

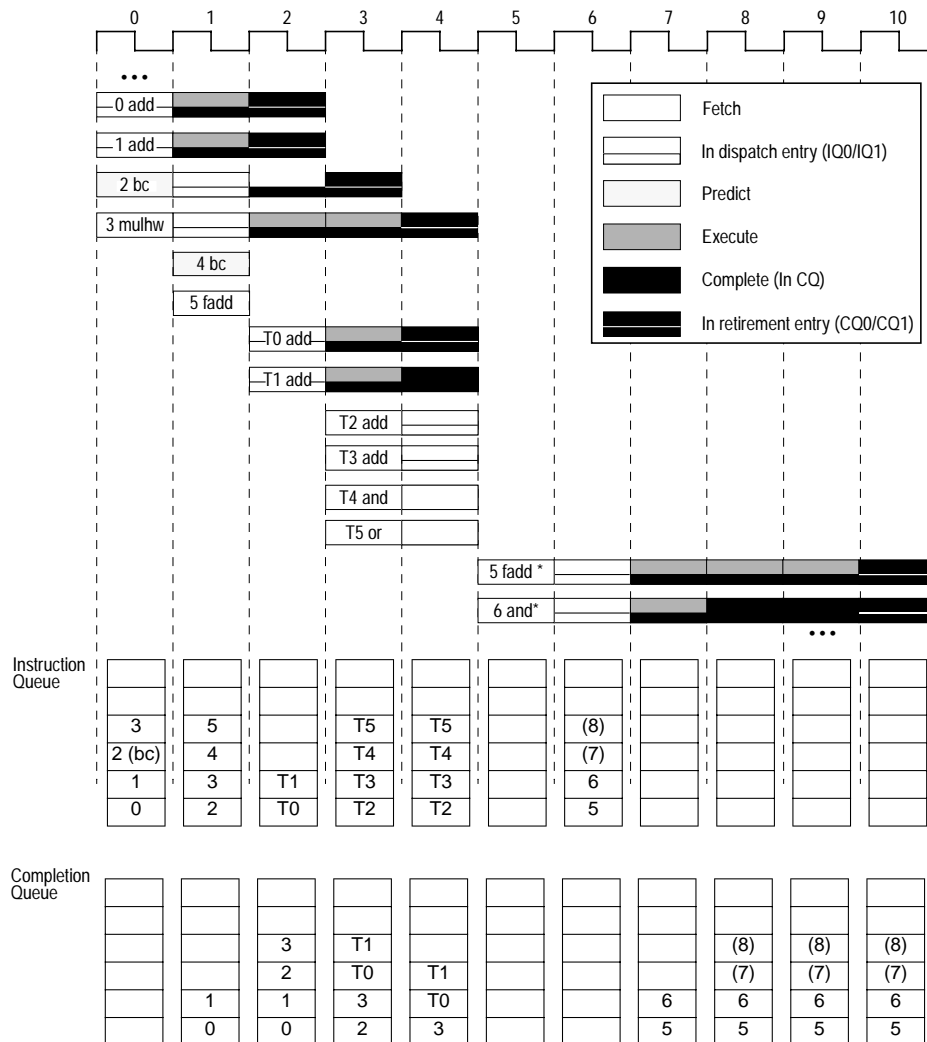
The PowerPC architecture provides a field in branch instructions (the BO field) to allow software to hint whether a branch is likely to be taken. Rather than delaying instruction processing until the condition is known, the MPC750 uses the instruction encoding to predict whether the branch is likely to be taken and begins fetching and executing along that path. When the branch condition is known, the prediction is evaluated. If the prediction was correct, program flow continues along that path; otherwise, the processor flushes any instructions and their results from the mispredicted path, and program flow resumes along the correct path.

Static branch prediction is used when HID0[BHT] is cleared. That is, the branch history table, which is used for dynamic branch prediction, is disabled. For information about static branch prediction, see “Conditional Branch Control,” in Chapter 4, “Addressing Modes and Instruction Set Summary,” in *The Programming Environments Manual*.

#### 6.4.1.3.2 Predicted Branch Timing Examples

Figure 6-10 shows cases where branch instructions are predicted. It shows how both taken and not-taken branches are handled and how the MPC750 handles both correct and incorrect predictions. The example shows the timing for the following instruction sequence:

```
0   add
1   add
2   bc
3   mulhw
4   bc T0
5   fadd
6   and
add
T7  add
T8  add
T9  add
T10 add
T11 or
```



\* Instructions 5 and 6 are not in the IQ in clock cycle 5. Here, the fetch stage shows cache latency.

**Figure 6-10. Branch Instruction Timing**

- During clock cycle 0, instructions 0 and 1 are dispatched to their respective execution units. Instruction 2 is a branch instruction that updates the CTR. It is predicted as not taken in clock cycle 0. Instruction 3 is a **mulhw** instruction on which instruction 4 depends.

1. In clock cycle 1, instructions 2 and 3 enter the dispatch entries in the IQ. Instruction 4 (a second **bc** instruction) and 5 are fetched. The second **bc** instruction is predicted as taken. It can be folded, but it cannot be resolved until instruction 3 writes back.
2. In clock cycle 2, instruction 4 has been folded and instruction 5 has been flushed from the IQ. The two target instructions, T0 and T1, are both in the BTIC, so they are fetched in this cycle. Note that even though the first **bc** instruction may not have resolved by this point (we can assume it has), the MPC750 allows fetching from a second predicted branch stream. However, these instructions could not be dispatched until the previous branch has resolved.
3. In clock cycle 3, target instructions T2–T5 are fetched as T0 and T1 are dispatched.
4. In clock cycle 4, instruction 3, on which the second branch instruction depended, writes back and the branch prediction is proven incorrect. Even though T0 is in CQ1, from which it could be written back, it is not written back because the branch prediction was incorrect. All target instructions are flushed from their positions in the pipeline at the end of this clock cycle, as are any results in the rename registers.

After one clock cycle required to refetch the original instruction stream, instruction 5, the same instruction that was fetched in clock cycle 1, is brought back into the IQ from the instruction cache, along with three others (not all of which are shown).

### 6.4.2 Integer Unit Execution Timing

The MPC750 has two integer units. The IU1 can execute all integer instructions; and the IU2 can execute all integer instructions except multiply and divide instructions. As shown in Figure 6-2, each integer unit has one execute pipeline stage, thus when a multicycle integer instruction is being executed, no other integer instructions can begin to execute. Table 6-6 lists integer instruction latencies.

Most integer instructions have an execution latency of one clock cycle.

### 6.4.3 Floating-Point Unit Execution Timing

The floating-point unit on the MPC750 executes all floating-point instructions. Execution of most floating-point instructions is pipelined within the FPU, allowing up to three instructions to be executing in the FPU concurrently. While most floating-point instructions execute with three- or four-cycle latency, and one- or two-cycle throughput, three instructions (**fdivs**, **fdiv**, and **fres**) execute with latencies of 11 to 33 cycles. The **fdivs**, **fdiv**, **fres**, **mtfsb0**, **mtfsb1**, **mtfsfi**, **mffs**, and **mtfsf** instructions block the floating-point unit pipeline until they complete execution, and thereby inhibit the dispatch of additional floating-point instructions. See Table 6-7 for floating-point instruction execution timing.

#### **6.4.4 Effect of Floating-Point Exceptions on Performance**

For the fastest and most predictable floating-point performance, all exceptions should be disabled in the FPSCR and MSR.

#### **6.4.5 Load/Store Unit Execution Timing**

The execution of most load and store instructions is pipelined. The LSU has two pipeline stages. The first is for effective address calculation and MMU translation and the second is for accessing data in the cache. Load and store instructions have a two-cycle latency and one-cycle throughput.

If operands are misaligned, additional latency may be required either for an alignment exception to be taken or for additional bus accesses. Load instructions that miss in the cache block subsequent cache accesses during the cache line refill. Table 6-8 gives load and store instruction execution latencies.

#### **6.4.6 Effect of Operand Placement on Performance**

The PowerPC VEA states that the placement (location and alignment) of operands in memory may affect the relative performance of memory accesses, and in some cases affect it significantly. The effects memory operand placement has on performance are shown in Table 6-1.

The best performance is guaranteed if memory operands are aligned on natural boundaries. For the best performance across the widest range of implementations, the programmer should assume the performance model described in Chapter 3, “Operand Conventions,” in *The Programming Environments Manual*.

The effect of misalignment on memory access latency is the same for big- and little-endian addressing modes except for multiple and string operations that cause an alignment exception in little-endian mode.

**Table 6-1. Performance Effects of Memory Operand Placement**

Operand		Boundary Crossing			
Size	Byte Alignment	None	8 Byte	Cache Block	Protection Boundary
<b>Integer</b>					
4 byte	4	Optimal <sup>1</sup>	—	—	—
	< 4	Optimal	Good	Good	Good
2 byte	2	Optimal	—	—	—
	< 2	Optimal	Good	Good	Good
1 byte	1	Optimal	—	—	—
Imw, stmw <sup>2</sup>	4	Good <sup>3</sup>	Good	Good	Good
	< 4	Poor <sup>4</sup>	Poor	Poor	Poor
String <sup>2</sup>	—	Good	Good	Good	Good
<b>Floating-Point</b>					
8 byte	8	Optimal	—	—	—
	4	—	Good	Good	Good
	< 4	—	Poor	Poor	Poor
4 byte	4	Optimal	—	—	—
	< 4	Poor	Poor	Poor	Poor

**Notes:**

<sup>1</sup> Optimal means one EA calculation occurs.

<sup>2</sup> Not supported in little-endian mode, causes an alignment exception.

<sup>3</sup> Good means multiple EA calculations occur that may cause additional bus activities with multiple bus transfers.

<sup>4</sup> Poor means that an alignment exception occurs.

### 6.4.7 Integer Store Gathering

The MPC750 performs store gathering for write-through operations to nonguarded space. It performs cache-inhibited stores to nonguarded space for 4-byte, word-aligned stores. These stores are combined in the LSU to form a double word and are sent out on the 60x bus as a single-beat operation. However, stores are gathered only if the successive stores meet the criteria and are queued and pending. Store gathering occurs regardless of the address order of the stores. Store gathering is enabled by setting HID0[SGE]. Stores can be gathered in both endian modes.

Store gathering is not done for the following:

- Cacheable store operations
- Stores to guarded cache-inhibited or write-through space
- Byte-reverse store operations



- **stwcx** instructions
- **ecowx** instructions
- A store that occurs during a table search operation
- Floating-point store operations

If store gathering is enabled and the stores do not fall under the above categories, an **eieio** or **sync** instruction must be used to prevent two stores from being gathered.

### 6.4.8 System Register Unit Execution Timing

Most instructions executed by the SRU either directly access renamed registers or access or modify nonrenamed registers. They generally execute in a serial manner. Results from these instructions are not available to subsequent instructions until the instruction completes and is retired. See Section 6.3.3.2, “Instruction Serialization,” for more information on serializing instructions executed by the SRU, and refer to Table 6-4 and Table 6-5 for SRU instruction execution timings.

## 6.5 Memory Performance Considerations

Because the MPC750 can have a maximum instruction throughput of three instructions per clock cycle, lack of memory bandwidth can affect performance. For the MPC750 to maximize performance, it must be able to read and write data efficiently. If a system has multiple bus devices, one of them may experience long memory latencies while another bus master (for example, a direct-memory access controller) is using the external bus.

### 6.5.1 Caching and Memory Coherency

To minimize the effect of bus contention, the PowerPC architecture defines WIM bits that are used to configure memory regions as caching-enforced or caching-inhibited. Accesses to such memory locations never update the on-chip cache. If a cache-inhibited access hits the on-chip cache, the cache block is invalidated. If the cache block is marked modified, it is copied back to memory before being invalidated. Where caching is permitted, memory is configured as either write-back or write-through, which are described as follows:

- **Write-back**— Configuring a memory region as write-back lets a processor modify data in the cache without updating system memory. For such locations, memory updates occur only on modified cache block replacements, cache flushes, or when one processor needs data that is modified in another’s cache. Therefore, configuring memory as write-back can help when bus traffic could cause bottlenecks, especially for multiprocessor systems and for regions in which data, such as local variables, is used often and is coupled closely to a processor.

If multiple devices use data in a memory region marked write-through, snooping must be enabled to allow the copy-back and cache invalidation operations necessary to ensure cache coherency. The MPC750’s snooping hardware keeps other devices from accessing invalid data. For example, when snooping is enabled, the MPC750 monitors transactions of other bus devices. For example, if another device needs data

that is modified on the MPC750's cache, the access is delayed so the MPC750 can copy the modified data to memory.

- **Write-through**—Store operations to memory marked write-through always update both system memory and the on-chip cache on cache hits. Because valid cache contents always match system memory marked write-through, cache hits from other devices do not cause modified data to be copied back as they do for locations marked write-back. However, all write operations are passed to the bus, which can limit performance. Load operations that miss the on-chip cache must wait for the external store operation.

Write-through configuration is useful when cached data must agree with external memory (for example, video memory), when shared (global) data may be needed often, or when it is undesirable to allocate a cache block on a cache miss.

Chapter 3, “L1 Instruction and Data Cache Operation,” describes the caches, memory configuration, and snooping in detail.

### 6.5.2 Effect of TLB Miss

If a page address translation is not in a TLB, the MPC750 hardware searches the page tables and updates the TLB when a translation is found. Table 6-2 shows the estimated latency for the hardware TLB load for different cache configurations and conditions.

**Table 6-2. TLB Miss Latencies**

L1 Condition (Instruction and Data)	L2 Condition	Processor/L2 Clock Ratio	Processor/System Bus Clock Ratio	Estimated Latency (Cycles)
100% cache hit	—	—	—	7
100% cache miss	100% cache hit	1:1	—	13
100% cache miss	100% cache hit	1.5:1	—	18
100% cache miss	100% cache hit	2:1	—	20
100% cache miss	100% cache miss	1:1	2.5:1 (6:3:3:3 memory)	62
100% cache miss	100% cache miss	1:1	4:1 (5:2:2:2 memory)	77

The PTE table search assumes a hit in the first entry of the primary PTEG.

## 6.6 Instruction Scheduling Guidelines

The performance of the MPC750 can be improved by avoiding resource conflicts and scheduling instructions to take fullest advantage of the parallel execution units. Instruction scheduling on the MPC750 can be improved by observing the following guidelines:

- To reduce mispredictions, separate the instruction that sets CR bits from the branch instruction that evaluates them. Because there can be no more than 12 instructions in the processor (with the instruction that sets CR in CQ0 and the dependent branch instruction in IQ5), there is no advantage to having more than 10 instructions between them.
- Likewise, when branching to a location specified by the CTR or LR, separate the **mtspr** instruction that initializes the CTR or LR from the dependent branch instruction. This ensures the register values are immediately available to the branch instruction.
- Schedule instructions such that two can be dispatched at a time.
- Schedule instructions to minimize stalls due to execution units being busy.
- Avoid scheduling high-latency instructions close together. Interspersing single-cycle latency instructions between longer-latency instructions minimizes the effect that instructions such as integer divide and multiply can have on throughput.
- Avoid using serializing instructions.
- Schedule instructions to avoid dispatch stalls:
  - Six instructions can be tracked in the completion queue; therefore, only six instructions can be in the execute stages at any one time
  - There are six GPR rename registers; therefore only six GPRs can be specified as destination operands at any time. If no rename registers are available, instructions cannot enter the execute stage and remain in the reservation station or instruction queue until they become available.  
Note that load with update address instructions use two destination registers
  - Similarly, there are six FPR rename registers, so only six FPR destination operands can be in the execute and complete stages at any time.

### 6.6.1 Branch, Dispatch, and Completion Unit Resource Requirements

This section describes the specific resources required to avoid stalls during branch resolution, instruction dispatching, and instruction completion.

### 6.6.1.1 Branch Resolution Resource Requirements

The following is a list of branch instructions and the resources required to avoid stalling the fetch unit in the course of branch resolution:

- The **bclr** instruction requires LR availability.
- The **bcctr** instruction requires CTR availability.
- Branch and link instructions require shadow LR availability.
- The “branch conditional on counter decrement and the CR” condition requires CTR availability or the CR condition must be false, and the MPC750 cannot execute instructions after an unresolved predicted branch when the BPU encounters a branch.
- A branch conditional on CR condition cannot be executed following an unresolved predicted branch instruction.

### 6.6.1.2 Dispatch Unit Resource Requirements

The following is a list of resources required to avoid stalls in the dispatch unit. IQ[0] and IQ[1] are the two dispatch entries in the instruction queue:

- Requirements for dispatching from IQ[0] are as follows:
  - Needed execution unit available
  - Needed GPR rename registers available
  - Needed FPR rename registers available
  - Completion queue is not full.
  - A completion-serialized instruction is not being executed.
- Requirements for dispatching from IQ[1] are as follows:
  - Instruction in IQ[0] must dispatch.
  - Instruction dispatched by IQ[0] is not completion- or refetch-serialized.
  - Needed execution unit is available (after dispatch from IQ[0]).
  - Needed GPR rename registers are available (after dispatch from IQ[0]).
  - Needed FPR rename register is available (after dispatch from IQ[0]).
  - Completion queue is not full (after dispatch from IQ[0]).

### 6.6.1.3 Completion Unit Resource Requirements

The following is a list of resources required to avoid stalls in the completion unit; note that the two completion entries are described as CQ[0] and CQ[1], where CQ[0] is the completion queue located at the end of the completion queue (see Figure 6-4).

- Requirements for completing an instruction from CQ[0] are as follows:
  - Instruction in CQ[0] must be finished.
  - Instruction in CQ[0] must not follow an unresolved predicted branch.
  - Instruction in CQ[0] must not cause an exception.

- Requirements for completing an instruction from CQ[1] are as follows:
  - Instruction in CQ[0] must complete in same cycle.
  - Instruction in CQ[1] must be finished.
  - Instruction in CQ[1] must not follow an unresolved predicted branch.
  - Instruction in CQ[1] must not cause an exception.
  - Instruction in CQ[1] must be an integer or load instruction.
  - Number of CR updates from both CQ[0] and CQ[1] must not exceed two.
  - Number of GPR updates from both CQ[0] and CQ[1] must not exceed two.
  - Number of FPR updates from both CQ[0] and CQ[1] must not exceed two.

## 6.7 Instruction Latency Summary

Table 6-3 through Table 6-8 list latencies associated with instructions executed by each execution unit. Table 6-3 describes branch instruction latencies.

**Table 6-3. Branch Instructions**

Mnemonic	Primary	Extended	Latency
<b>b</b> [!][a]	18	—	Unless these instructions update either the CTR or the LR, branch operations are folded if they are either taken or predicted as taken. They fall through if they are not taken or predicted as not taken.
<b>bc</b> [!][a]	16	—	
<b>bcctr</b> [!]	19	528	
<b>bclr</b> [!]	19	16	

Table 6-4 lists system register instruction latencies.

**Table 6-4. System Register Instructions**

Mnemonic	Primary	Extended	Unit	Cycles	Serialization
<b>eieio</b>	31	854	SRU	1	—
<b>isync</b>	19	150	SRU	2	Completion, refetch
<b>mfmsr</b>	31	83	SRU	1	—
<b>mfspr</b> (DBATs)	31	339	SRU	3	Execution
<b>mfspir</b> (IBATs)	31	339	SRU	3	—
<b>mfspir</b> (not I/DBATs)	31	339	SRU	1	Execution
<b>mfsr</b>	31	595	SRU	3	—
<b>mfsrin</b>	31	659	SRU	3	Execution
<b>mftb</b>	31	371	SRU	1	—
<b>mtmsr</b>	31	146	SRU	1	Execution
<b>mtspr</b> (DBATs)	31	467	SRU	2	Execution
<b>mtspr</b> (IBATs)	31	467	SRU	2	Execution

**Table 6-4. System Register Instructions (Continued)**

Mnemonic	Primary	Extended	Unit	Cycles	Serialization
<b>mtspr</b> (not I/DBATs)	31	467	SRU	2	Execution
<b>mtsr</b>	31	210	SRU	2	Execution
<b>mtsrin</b>	31	242	SRU	2	Execution
<b>mttb</b>	31	467	SRU	1	Execution
<b>rfi</b>	19	50	SRU	2	Completion, refetch
<b>sc</b>	17	- -1	SRU	2	Completion, refetch
<b>sync</b>	31	598	SRU	3 <sup>1</sup>	—
<b>tlbsync</b> <sup>2</sup>	31	566	—	—	

**Notes:**

<sup>1</sup> This assumes no pending stores in the store queue. If there are, the **sync** completes after they complete to memory. If broadcast is enabled on the 60x bus, **sync** completes only after a successful broadcast.

<sup>2</sup> **tlbsync** is dispatched only to the completion buffer (not to any execution unit) and is marked finished as it is dispatched. Upon retirement, it waits for an external TLBISYNC signal to be asserted. In most systems TLBISYNC is always asserted so the instruction is a no-op.

Table 6-5 lists condition register logical instruction latencies.

**Table 6-5. Condition Register Logical Instructions**

Mnemonic	Primary	Extended	Unit	Cycles	Serialization
<b>crand</b>	19	257	SRU	1	Execution
<b>crandc</b>	19	129	SRU	1	Execution
<b>creqv</b>	19	289	SRU	1	Execution
<b>crnand</b>	19	225	SRU	1	Execution
<b>crnor</b>	19	33	SRU	1	Execution
<b>cror</b>	19	449	SRU	1	Execution
<b>crorc</b>	19	417	SRU	1	Execution
<b>crxor</b>	19	193	SRU	1	Execution
<b>mcrf</b>	19	0	SRU	1	Execution
<b>mcrxr</b>	31	512	SRU	1	Execution
<b>mfcrr</b>	31	19	SRU	1	Execution
<b>mtrcrf</b>	31	144	SRU	1	Execution

Table 6-6 shows integer instruction latencies. Note that the IU1 executes all integer arithmetic instructions—multiply, divide, shift, rotate, add, subtract, and compare. The IU2 executes all integer instructions except multiply and divide (that is, shift, rotate, add, subtract, and compare).

**Table 6-6. Integer Instructions**

Mnemonic	Primary	Extended	Unit	Cycles	Serialization
addc[o][.]	31	10	IU1/IU2	1	—
adde[o][.]	31	138	IU1/IU2	1	Execution
addi	14	—	IU1/IU2	1	—
addic	12	—	IU1/IU2	1	—
addic.	13	—	IU1/IU2	1	—
addis	15	—	IU1/IU2	1	—
addme[o][.]	31	234	IU1/IU2	1	Execution
addze[o][.]	31	202	IU1/IU2	1	Execution
add[o][.]	31	266	IU1/IU2	1	—
andc[.]	31	60	IU1/IU2	1	—
andi.	28	—	IU1/IU2	1	—
andis.	29	—	IU1/IU2	1	—
and[.]	31	28	IU1/IU2	1	—
cmp	31	0	IU1/IU2	1	—
cmpi	11	—	IU1/IU2	1	—
cmpl	31	32	IU1/IU2	1	—
cmpli	10	—	IU1/IU2	1	—
cntlzw[.]	31	26	IU1/IU2	1	—
divwu[o][.]	31	459	IU1	19	—
divw[o][.]	31	491	IU1	19	—
eqv[.]	31	284	IU1/IU2	1	—
extsb[.]	31	954	IU1/IU2	1	—
extsh[.]	31	922	IU1/IU2	1	—
mulhwu[.]	31	11	IU1/IU2	2,3,4,5,6	—
mulhw[.]	31	75	IU1/IU2	2,3,4,5	—
mulli	7	—	IU1	2,3	—
mull[o][.]	31	235	IU1	2,3,4,5	—
nand[.]	31	476	IU1/IU2	1	—
neg[o][.]	31	104	IU1/IU2	1	—
nor[.]	31	124	IU1/IU2	1	—
orc[.]	31	412	IU1/IU2	1	—
ori	24	—	IU1/IU2	1	—

**Table 6-6. Integer Instructions (Continued)**

Mnemonic	Primary	Extended	Unit	Cycles	Serialization
<b>oris</b>	25	—	IU1/IU2	1	—
<b>or[.]</b>	31	444	IU1/IU2	1	—
<b>rlwimi[.]</b>	20	—	IU1/IU2	1	—
<b>rlwinm[.]</b>	21	—	IU1/IU2	1	—
<b>rlwnm[.]</b>	23	—	IU1/IU2	1	—
<b>slw[.]</b>	31	24	IU1/IU2	1	—
<b>srawi[.]</b>	31	824	IU1/IU2	1	—
<b>sraw[.]</b>	31	792	IU1/IU2	1	—
<b>srw[.]</b>	31	536	IU1/IU2	1	—
<b>subfc[o][.]</b>	31	8	IU1/IU2	1	—
<b>subfe[o][.]</b>	31	136	IU1/IU2	1	Execution
<b>subfic</b>	8	—	IU1/IU2	1	—
<b>subfme[o][.]</b>	31	232	IU1/IU2	1	Execution
<b>subfze[o][.]</b>	31	200	IU1/IU2	1	Execution
<b>subf[.]</b>	31	40	IU1/IU2	1	—
<b>tw</b>	31	4	IU1/IU2	2	—
<b>twi</b>	3	—	IU1/IU2	2	—
<b>xori</b>	26	—	IU1/IU2	1	—
<b>xoris</b>	27	—	IU1/IU2	1	—
<b>xor[.]</b>	31	316	IU1/IU2	1	—

Table 6-7 shows latencies for floating-point instructions. Pipelined floating-point instructions are shown with number of clocks in each pipeline stage separated by dashes. Floating-point instructions with a single entry in the cycles column are not pipelined; when the FPU executes these nonpipelined instructions, it remains busy for the full duration of the instruction execution and is not available for subsequent instructions.

**Table 6-7. Floating-Point Instructions**

Mnemonic	Primary	Extended	Unit	Cycles	Serialization
<b>fabs[.]</b>	63	264	FPU	1-1-1	—
<b>fadds[.]</b>	59	21	FPU	1-1-1	—
<b>fadd[.]</b>	63	21	FPU	1-1-1	—
<b>fcmpo</b>	63	32	FPU	1-1-1	—
<b>fcmpu</b>	63	0	FPU	1-1-1	—



**Table 6-7. Floating-Point Instructions (Continued)**

Mnemonic	Primary	Extended	Unit	Cycles	Serialization
<b>fctiwz</b> [.]	63	15	FPU	1-1-1	—
<b>fctiw</b> [.]	63	14	FPU	1-1-1	—
<b>fdivs</b> [.]	59	18	FPU	17	—
<b>fdiv</b> [.]	63	18	FPU	31	—
<b>fmadds</b> [.]	59	29	FPU	1-1-1	—
<b>fmadd</b> [.]	63	29	FPU	2-1-1	—
<b>fmr</b> [.]	63	72	FPU	1-1-1	—
<b>fmsubs</b> [.]	59	28	FPU	1-1-1	—
<b>fmsub</b> [.]	63	28	FPU	2-1-1	—
<b>fmuls</b> [.]	59	25	FPU	1-1-1	—
<b>fmul</b> [.]	63	25	FPU	2-1-1	—
<b>fnabs</b> [.]	63	136	FPU	1-1-1	—
<b>fneg</b> [.]	63	40	FPU	1-1-1	—
<b>fnmadds</b> [.]	59	31	FPU	1-1-1	—
<b>fnmadd</b> [.]	63	31	FPU	2-1-1	—
<b>fnmsubs</b> [.]	59	30	FPU	1-1-1	—
<b>fnmsub</b> [.]	63	30	FPU	2-1-1	—
<b>fres</b> [.]	59	24	FPU	10	—
<b>frsp</b> [.]	63	12	FPU	1-1-1	—
<b>frsqrtl</b> [.]	63	26	FPU	1-1-1	—
<b>fsel</b> [.]	63	23	FPU	1-1-1	—
<b>fsubs</b> [.]	59	20	FPU	1-1-1	—
<b>fsub</b> [.]	63	20	FPU	1-1-1	—
<b>mcrfs</b>	63	64	FPU	1-1-1	Execution
<b>mffs</b> [.]	63	583	FPU	1-1-1	Execution
<b>mtfsb0</b> [.]	63	70	FPU	3	—
<b>mtfsb1</b> [.]	63	38	FPU	3	—
<b>mtfsfi</b> [.]	63	134	FPU	3	—
<b>mtfsf</b> [.]	63	711	FPU	3	—

Table 6-8 shows load and store instruction latencies. Pipelined load/store instructions are shown with cycles of total latency and throughput cycles separated by a colon.

**Table 6-8. Load and Store Instructions**

Mnemonic	Primary	Extended	Unit	Cycles	Serialization
<b>dcbf</b>	31	86	LSU	3:5 <sup>1</sup>	Execution
<b>dcbi</b>	31	470	LSU	3:3 <sup>1</sup>	Execution
<b>dcbst</b>	31	54	LSU	3:5 <sup>1</sup>	Execution
<b>dcbt</b>	31	278	LSU	2:1	—
<b>dcbtst</b>	31	246	LSU	2:1	—
<b>dcbz</b>	31	1014	LSU	3:6 <sup>1, 2</sup>	Execution
<b>eciwx</b>	31	310	LSU	2:1	—
<b>ecowx</b>	31	438	LSU	2:1	—
<b>icbi</b>	31	982	LSU	3:4 <sup>1</sup>	Execution
<b>lbz</b>	34	—	LSU	2:1	—
<b>lbzu</b>	35	—	LSU	2:1	—
<b>lbzux</b>	31	119	LSU	2:1	—
<b>lbzx</b>	31	87	LSU	2:1	—
<b>lfd</b>	50	—	LSU	2:1	—
<b>lfd</b>	51	—	LSU	2:1	—
<b>lfd</b>	31	631	LSU	2:1	—
<b>lfd</b>	31	599	LSU	2:1	—
<b>lfs</b>	48	—	LSU	2:1	—
<b>lfs</b>	49	—	LSU	2:1	—
<b>lfs</b>	31	567	LSU	2:1	—
<b>lfs</b>	31	535	LSU	2:1	—
<b>lha</b>	42	—	LSU	2:1	—
<b>lhau</b>	43	—	LSU	2:1	—
<b>lhaux</b>	31	375	LSU	2:1	—
<b>lhax</b>	31	343	LSU	2:1	—
<b>lhbrx</b>	31	790	LSU	2:1	—
<b>lhz</b>	40	—	LSU	2:1	—
<b>lhzu</b>	41	—	LSU	2:1	—
<b>lhzux</b>	31	311	LSU	2:1	—
<b>lhzx</b>	31	279	LSU	2:1	—

**Table 6-8. Load and Store Instructions (Continued)**

Mnemonic	Primary	Extended	Unit	Cycles	Serialization
lmw	46	—	LSU	$2 + n^3$	Completion, execution
lswi	31	597	LSU	$2 + n^3$	Completion, execution
lswx	31	533	LSU	$2 + n^3$	Completion, execution
lwarx	31	20	LSU	3:1	Execution
lwbrx	31	534	LSU	2:1	—
lwz	32	—	LSU	2:1	—
lwzu	33	—	LSU	2:1	—
lwzux	31	55	LSU	2:1	—
lwzx	31	23	LSU	2:1	—
stb	38	—	LSU	2:1	—
stbu	39	—	LSU	2:1	—
stbux	31	247	LSU	2:1	—
stbx	31	215	LSU	2:1	—
stfd	54	—	LSU	2:1	—
stfdu	55	—	LSU	2:1	—
stfdx	31	759	LSU	2:1	—
stfdx	31	727	LSU	2:1	—
stfiwx	31	983	LSU	2:1	—
stfs	52	—	LSU	2:1	—
stfsu	53	—	LSU	2:1	—
stfsux	31	695	LSU	2:1	—
stfsx	31	663	LSU	2:1	—
sth	44	—	LSU	2:1	—
sthbrx	31	918	LSU	2:1	—
sthu	45	—	LSU	2:1	—
sthux	31	439	LSU	2:1	—
sthx	31	407	LSU	2:1	—
stmw	47	—	LSU	$2 + n^3$	Execution
stswi	31	725	LSU	$2 + n^3$	Execution
stswx	31	661	LSU	$2 + n^3$	Execution
stw	36	—	LSU	2:1	—
stwbrx	31	662	LSU	2:1	—

**Table 6-8. Load and Store Instructions (Continued)**

Mnemonic	Primary	Extended	Unit	Cycles	Serialization
<b>stwcx.</b>	31	150	LSU	8:8	Execution
<b>stwu</b>	37	—	LSU	2:1	—
<b>stwux</b>	31	183	LSU	2:1	—
<b>stwx</b>	31	151	LSU	2:1	—
<b>tlbie</b>	31	306	LSU	3:4 <sup>1</sup>	Execution

**Notes:**

- <sup>1</sup> For cache-ops, the first number indicates the latency in finishing a single instruction; the second indicates the throughput for back-to-back cache-ops. Throughput may be larger than the initial latency as more cycles may be needed to complete the instruction to the cache, which stays busy keeping subsequent cache-ops from executing.
- <sup>2</sup> The throughput number of 6 cycles for **dcbz** assumes it is to nonglobal (M = 0) address space. For global address space, throughput is at least 11 cycles.
- <sup>3</sup> Load/store multiple/string instruction cycles are represented as a fixed number of cycles plus a variable number of cycles, where *n* is the number of words accessed by the instruction.

# Chapter 7

## Signal Descriptions

This chapter describes the MPC750 microprocessor's external signals. It contains a concise description of individual signals, showing behavior when the signal is asserted and negated and when the signal is an input and an output.

### NOTE

A bar over a signal name indicates that the signal is active low—for example,  $\overline{\text{ARTRY}}$  (address retry) and  $\overline{\text{TS}}$  (transfer start). Active-low signals are referred to as asserted (active) when they are low and negated when they are high. Signals that are not active low, such as AP[0–3] (address bus parity signals) and TT[0–4] (transfer type signals) are referred to as asserted when they are high and negated when they are low.

The MPC750 signals are grouped as follows:

- Address arbitration—The MPC750 uses these signals to arbitrate for address bus mastership.
- Address transfer start—These signals indicate that a bus master has begun a transaction on the address bus.
- Address transfer—These signals include the address bus and address parity signals. They are used to transfer the address and to ensure the integrity of the transfer.
- Transfer attribute—These signals provide information about the type of transfer, such as the transfer size and whether the transaction is bursted, write-through, or cache-inhibited.
- Address transfer termination—These signals are used to acknowledge the end of the address phase of the transaction. They also indicate whether a condition exists that requires the address phase to be repeated.
- Data arbitration—The MPC750 uses these signals to arbitrate for data bus mastership.
- Data transfer—These signals, which consist of the data bus and data parity, are used to transfer the data and to ensure the integrity of the transfer.

- Data transfer termination—Data termination signals are required after each data beat in a data transfer. In a single-beat transaction, the data termination signals also indicate the end of the tenure; while in burst accesses, the data termination signals apply to individual beats and indicate the end of the tenure only after the final data beat. They also indicate whether a condition exists that requires the data phase to be repeated.
- L2 cache address/data—The MPC750 has separate address and data buses for accessing the L2 cache (not supported in the MPC740).
- L2 cache clock/control—These signals provide clocking and control for the L2 cache (not supported in the MPC740).
- Interrupts/resets—These signals include the external interrupt signal, checkstop signals, and both soft reset and hard reset signals. They are used to interrupt and, under various conditions, to reset the processor.
- Processor status and control—These signals are used to set the reservation coherency bit, enable the time base, and other functions. They are also used in conjunction with such resources as secondary caches and the time base facility.
- Clock control—These signals determine the system clock frequency. They can also be used to synchronize multiprocessor systems.
- Test interface—The JTAG (IEEE 1149.1a-1993) interface and the common on-chip processor (COP) unit provide a serial interface to the system for performing board-level boundary-scan interconnect tests.

## 7.1 Signal Configuration

Figure 7-1 illustrates the MPC750's signal configuration, showing how the signals are grouped. A pinout showing pin numbers is included in the MPC750 hardware specifications.

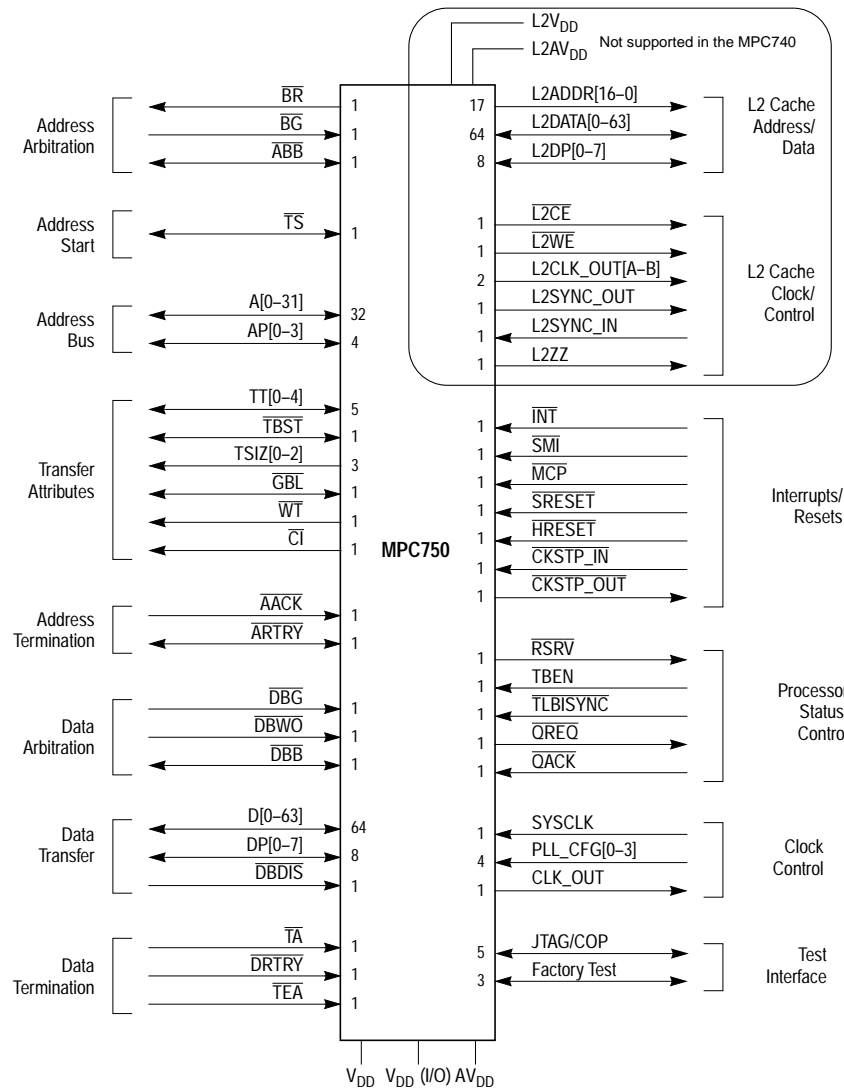


Figure 7-1. MPC750 Signal Groups

## 7.2 Signal Descriptions

This section describes individual MPC750 signals, grouped according to Figure 7-1. Note that the following sections summarize signal functions. Chapter 8, “System Interface Operation,” describes many of these signals in greater detail, both with respect to how individual signals function and how groups of signals interact.

### 7.2.1 Address Bus Arbitration Signals

The address arbitration signals are input and output signals the MPC750 uses to request the address bus, recognize when the request is granted, and indicate to other devices when mastership is granted. For a detailed description of how these signals interact, see Section 8.3.1, “Address Bus Arbitration.”

#### 7.2.1.1 Bus Request ( $\overline{\text{BR}}$ )—Output

Following are the state meaning and timing comments for the  $\overline{\text{BR}}$  output signal.

**State Meaning**      Asserted—Indicates that the MPC750 is requesting mastership of the address bus. Note that  $\overline{\text{BR}}$  may be asserted for one or more cycles, and then de-asserted due to an internal cancellation of the bus request (for example, due to a load hit in the touch load buffer). See Section 8.3.1, “Address Bus Arbitration.”

Negated—Indicates that the MPC750 is not requesting the address bus. The MPC750 may have no bus operation pending, it may be parked, or the  $\overline{\text{ARTRY}}$  input was asserted on the previous bus clock cycle.

**Timing Comments**    Assertion—Occurs when the MPC750 is not parked and a bus transaction is needed. This may occur even if the two possible pipeline accesses have occurred.  $\overline{\text{BR}}$  will also be asserted for one cycle during the execution of a **dcbz** instruction, and during the execution of a load instruction which hits in the touch load buffer.

Negation—Occurs for at least one bus clock cycle after an accepted, qualified bus grant (see  $\overline{\text{BG}}$  and  $\overline{\text{ABB}}$ ), even if another transaction is pending. It is also negated for at least one bus clock cycle when the assertion of  $\overline{\text{ARTRY}}$  is detected on the bus.

#### 7.2.1.2 Bus Grant ( $\overline{\text{BG}}$ )—Input

Following are the state meaning and timing comments for the  $\overline{\text{BG}}$  input signal.

**State Meaning**      Asserted—Indicates that the MPC750 may, with proper qualification, assume mastership of the address bus. A qualified bus grant occurs when  $\overline{\text{BG}}$  is asserted and  $\overline{\text{ABB}}$  and  $\overline{\text{ARTRY}}$  are not asserted the bus cycle following the assertion of  $\overline{\text{AACK}}$ . The  $\overline{\text{ABB}}$  and  $\overline{\text{ARTRY}}$  signals are driven by the MPC750 or other bus masters. If the MPC750 is parked,  $\overline{\text{BR}}$  need not be asserted for the qualified bus grant. See Section 8.3.1, “Address Bus Arbitration.”



Negated— Indicates that the MPC750 is not the next potential address bus master.

**Timing Comments** Assertion—May occur at any time to indicate the MPC750 can use the address bus. After the MPC750 assumes bus mastership, it does not check for a qualified bus grant again until the cycle during which the address bus tenure completes (assuming it has another transaction to run). The MPC750 does not accept a  $\overline{BG}$  in the cycles between the assertion of any  $\overline{TS}$  and  $\overline{AACK}$ .

Negation—May occur at any time to indicate the MPC750 cannot use the bus. The MPC750 may still assume bus mastership on the bus clock cycle of the negation of  $\overline{BG}$  because during the previous cycle  $\overline{BG}$  indicated to the MPC750 that it could take mastership (if qualified).

### 7.2.1.3 Address Bus Busy ( $\overline{ABB}$ )

The address bus busy ( $\overline{ABB}$ ) signal is both an input and an output signal.

#### 7.2.1.3.1 Address Bus Busy ( $\overline{ABB}$ )—Output

Following are the state meaning and timing comments for the  $\overline{ABB}$  output signal.

**State Meaning** Asserted—Indicates that the MPC750 is the address bus master. See Section 8.3.1, “Address Bus Arbitration.”

Negated—Indicates that the MPC750 is not using the address bus. If  $\overline{ABB}$  is negated during the bus clock cycle following a qualified bus grant, the MPC750 did not accept mastership even if  $\overline{BR}$  was asserted. This can occur if a potential transaction is aborted internally before the transaction begins.

**Timing Comments** Assertion—Occurs on the bus clock cycle following a qualified  $\overline{BG}$  that is accepted by the processor (see Negated).

Negation—Occurs for a minimum of one-half bus clock cycle following the assertion of  $\overline{AACK}$ . If  $\overline{ABB}$  is negated during the bus clock cycle after a qualified bus grant, the MPC750 did not accept mastership, even if  $\overline{BR}$  was asserted.

High Impedance—Occurs after  $\overline{ABB}$  is negated.

#### 7.2.1.3.2 Address Bus Busy ( $\overline{ABB}$ )—Input

Following are the state meaning and timing comments for the  $\overline{ABB}$  input signal.

**State Meaning** Asserted—Indicates that the address bus is in use. This condition effectively blocks the MPC750 from assuming address bus ownership, regardless of the  $\overline{BG}$  input; see Section 8.3.1, “Address Bus Arbitration.”

Negated—Indicates that the address bus is not owned by another bus master and that it is available to the MPC750 when accompanied by a qualified bus grant.

**Timing Comments** Assertion—May occur when the MPC750 must be kept from using the address bus (and the processor is not currently asserting  $\overline{ABB}$ ).  
Negation—May occur whenever the MPC750 can use the address bus.

## 7.2.2 Address Transfer Start Signals

Address transfer start signals are input and output signals that indicate that an address bus transfer has begun. The transfer start ( $\overline{TS}$ ) signal identifies the operation as a memory transaction.

For detailed information about how  $\overline{TS}$  interacts with other signals, refer to Section 8.3.2, “Address Transfer.”

### 7.2.2.1 Transfer Start ( $\overline{TS}$ )

The  $\overline{TS}$  signal is both an input and an output signal on the MPC750.

#### 7.2.2.1.1 Transfer Start ( $\overline{TS}$ )—Output

Following are the state meaning and timing comments for the  $\overline{TS}$  output signal.

**State Meaning** Asserted—Indicates that the MPC750 has begun a memory bus transaction and that the address bus and transfer attribute signals are valid. When asserted with the appropriate  $TT[0-4]$  signals it is also an implied data bus request for a memory transaction (unless it is an address-only operation).

Negated—Indicates that no bus transaction is occurring during normal operation.

**Timing Comments** Assertion—Coincides with the assertion of  $\overline{ABB}$ .  
Negation—Occurs one bus clock cycle after  $\overline{TS}$  is asserted.  
High Impedance—Coincides with the negation of  $\overline{ABB}$ .

#### 7.2.2.1.2 Transfer Start ( $\overline{TS}$ )—Input

Following are the state meaning and timing comments for the  $\overline{TS}$  input signal.

**State Meaning** Asserted—Indicates that another master has begun a bus transaction and that the address bus and transfer attribute signals are valid for snooping (see  $\overline{GBL}$ ).

Negated—Indicates that no bus transaction is occurring.

**Timing Comments** Assertion—May occur during the assertion of  $\overline{ABB}$ .  
Negation—Must occur one bus clock cycle after  $\overline{TS}$  is asserted.

## 7.2.3 Address Transfer Signals

The address transfer signals are used to transmit the address and to generate and monitor parity for the address transfer. For a detailed description of how these signals interact, refer to Section 8.3.2, “Address Transfer.”

### 7.2.3.1 Address Bus (A[0–31])

The address bus (A[0–31]) consists of 32 signals that are both input and output signals.

#### 7.2.3.1.1 Address Bus (A[0–31])—Output

Following are the state meaning and timing comments for the A[0–31] output signals.

**State Meaning** Asserted/Negated—Represents the physical address (real address in the architecture specification) of the data to be transferred. On burst transfers, the address bus presents the double-word-aligned address containing the critical code/data that missed the cache on a read operation, or the first double word of the cache line on a write operation. Note that the address output during burst operations is not incremented. See Section 8.3.2, “Address Transfer.”

**Timing Comments** Assertion/Negation—Occurs on the bus clock cycle after a qualified bus grant (coincides with assertion of  $\overline{ABB}$  and  $\overline{TS}$ ).

High Impedance—Occurs one bus clock cycle after  $\overline{AACK}$  is asserted.

#### 7.2.3.1.2 Address Bus (A[0–31])—Input

Following are the state meaning and timing comments for the A[0–31] input signals.

**State Meaning** Asserted/Negated—Represents the physical address of a snoop operation.

**Timing Comments** Assertion/Negation—Must occur on the same bus clock cycle as the assertion of  $\overline{TS}$ ; is sampled by MPC750 only on this cycle.

### 7.2.3.2 Address Bus Parity (AP[0–3])

The address bus parity (AP[0–3]) signals are both input and output signals reflecting one bit of odd-byte parity for each of the 4 bytes of address when a valid address is on the bus.

#### 7.2.3.2.1 Address Bus Parity (AP[0–3])—Output

Following are the state meaning and timing comments for the AP[0–3] output signals on the MPC750.

**State Meaning** Asserted/Negated—Represents odd parity for each of the 4 bytes of the physical address for a transaction. Odd parity means that an odd number of bits, including the parity bit, are driven high. The signal assignments correspond to the following:

AP0 A[0–7]

AP1 A[8–15]

AP2 A[16–23]

AP3 A[24–31]

For more information, see Section 8.3.2.1, “Address Bus Parity.”

**Timing Comments** Assertion/Negation—The same as A[0–31].

High Impedance—The same as A[0–31].

### 7.2.3.2.2 Address Bus Parity (AP[0–3])—Input

Following are the state meaning and timing comments for the AP[0–3] input signal on the MPC750.

**State Meaning** Asserted/Negated—Represents odd parity for each of the 4 bytes of the physical address for snooping operations. Detected even parity causes the processor to take a machine check exception or enter the checkstop state if address parity checking is enabled in the HID0 register; see Section 2.1.2.2, “Hardware Implementation-Dependent Register 0.”

**Timing Comments** Assertion/Negation—The same as A[0–31].

## 7.2.4 Address Transfer Attribute Signals

The transfer attribute signals are a set of signals that further characterize the transfer—such as the size of the transfer, whether it is a read or write operation, and whether it is a burst or single-beat transfer. For a detailed description of how these signals interact, see Section 8.3.2, “Address Transfer.”

Note that some signal functions vary depending on whether the transaction is a memory access or an I/O access.

### 7.2.4.1 Transfer Type (TT[0–4])

The transfer type (TT[0–4]) signals consist of five input/output signals on the MPC750. For a complete description of TT[0–4] signals and for transfer type encodings, see Table 7-1.

#### 7.2.4.1.1 Transfer Type (TT[0–4])—Output

Following are the state meaning and timing comments for the TT[0–4] output signals on the MPC750.

**State Meaning** Asserted/Negated—Indicates the type of transfer in progress.

**Timing Comments** Assertion/Negation/High Impedance—The same as A[0–31].

#### 7.2.4.1.2 Transfer Type (TT[0–4])—Input

Following are the state meaning and timing comments for the TT[0–4] input signals on the MPC750.

**State Meaning** Asserted/Negated—Indicates the type of transfer in progress (see Table 7-2).

**Timing Comments** Assertion/Negation—The same as A[0–31].

Table 7-1 describes the transfer encodings for an MPC750 bus master.

**Table 7-1. Transfer Type Encodings for MPC750 Bus Master**

MPC750 Bus Master Transaction	Transaction Source	TT0	TT1	TT2	TT3	TT4	60x Bus Specification Command	Transaction
Address only <sup>1</sup>	<b>dcbst</b>	0	0	0	0	0	Clean block	Address only
Address only <sup>1</sup>	<b>dcbf</b>	0	0	1	0	0	Flush block	Address only
Address only <sup>1</sup>	<b>sync</b>	0	1	0	0	0	<b>sync</b>	Address only
Address only <sup>1</sup>	<b>dcbz</b> or <b>dcbi</b>	0	1	1	0	0	Kill block	Address only
Address only <sup>1</sup>	<b>eieio</b>	1	0	0	0	0	<b>eieio</b>	Address only
Single-beat write (nonGBL)	<b>ecowx</b>	1	0	1	0	0	External control word write	Single-beat write
N/A	N/A	1	1	0	0	0	TLB invalidate	Address only
Single-beat read (nonGBL)	<b>eciwx</b>	1	1	1	0	0	External control word read	Single-beat read
N/A	N/A	0	0	0	0	1	<b>lwarx</b> reservation set	Address only
N/A	N/A	0	0	1	0	1	Reserved	—
N/A	N/A	0	1	0	0	1	<b>tibsync</b>	Address only
N/A	N/A	0	1	1	0	1	<b>icbi</b>	Address only
N/A	N/A	1	X	X	0	1	Reserved	—
Single-beat write	Caching-inhibited or write-through store	0	0	0	1	0	Write-with-flush	Single-beat write or burst
Burst (nonGBL)	Cast-out, or snoop copyback	0	0	1	1	0	Write-with-kill	Burst
Single-beat read	Caching-inhibited load or instruction fetch	0	1	0	1	0	Read	Single-beat read or burst
Burst	Load miss, store miss, or instruction fetch	0	1	1	1	0	Read-with-intent-to-modify	Burst
Single-beat write	<b>stwcx.</b>	1	0	0	1	0	Write-with-flush-atomic	Single-beat write
N/A	N/A	1	0	1	1	0	Reserved	N/A
Single-beat read	<b>lwarx</b> (caching-inhibited load)	1	1	0	1	0	Read-atomic	Single-beat read or burst
Burst	<b>lwarx</b> (load miss)	1	1	1	1	0	Read-with-intent-to-modify-atomic	Burst
N/A	N/A	0	0	0	1	1	Reserved	—

**Table 7-1. Transfer Type Encodings for MPC750 Bus Master (Continued)**

MPC750 Bus Master Transaction	Transaction Source	TT0	TT1	TT2	TT3	TT4	60x Bus Specification Command	Transaction
N/A	N/A	0	0	1	1	1	Reserved	—
N/A	N/A	0	1	0	1	1	Read-with-no-intent-to-cache	Single-beat read or burst
N/A	N/A	0	1	1	1	1	Reserved	—
N/A	N/A	1	X	X	1	1	Reserved	—

**Note:** <sup>1</sup>Address-only transaction occurs if enabled by setting HIDE[ABE] bit to 1.

Table 7-2 describes the 60x bus specification transfer encodings and the MPC750 bus snoop response on an address hit.

**Table 7-2. MPC750 Snoop Hit Response**

60x Bus Specification Command	Transaction	TT0	TT1	TT2	TT3	TT4	MPC750 Bus Snooper; Action on Hit
Clean block	Address only	0	0	0	0	0	N/A
Flush block	Address only	0	0	1	0	0	N/A
<b>sync</b>	Address only	0	1	0	0	0	N/A
Kill block	Address only	0	1	1	0	0	Flush, cancel reservation
<b>eiemo</b>	Address only	1	0	0	0	0	N/A
External control word write	Single-beat write	1	0	1	0	0	N/A
TLB Invalidate	Address only	1	1	0	0	0	N/A
External control word read	Single-beat read	1	1	1	0	0	N/A
<b>lwarx</b> reservation set	Address only	0	0	0	0	1	N/A
Reserved	—	0	0	1	0	1	N/A
<b>tlbsync</b>	Address only	0	1	0	0	1	N/A
<b>icbi</b>	Address only	0	1	1	0	1	N/A
Reserved	—	1	X	X	0	1	N/A
Write-with-flush	Single-beat write or burst	0	0	0	1	0	Flush, cancel reservation
Write-with-kill	Single-beat write or burst	0	0	1	1	0	Kill, cancel reservation
Read	Single-beat read or burst	0	1	0	1	0	Clean or flush
Read-with-intent-to-modify	Burst	0	1	1	1	0	Flush

**Table 7-2. MPC750 Snoop Hit Response (Continued)**

60x Bus Specification Command	Transaction	TT0	TT1	TT2	TT3	TT4	MPC750 Bus Snooper; Action on Hit
Write-with-flush-atomic	Single-beat write	1	0	0	1	0	Flush, cancel reservation
Reserved	N/A	1	0	1	1	0	N/A
Read-atomic	Single-beat read or burst	1	1	0	1	0	Clean or flush
Read-with-intent-to-modify-atomic	Burst	1	1	1	1	0	Flush
Reserved	—	0	0	0	1	1	N/A
Reserved	—	0	0	1	1	1	N/A
Read-with-no-intent-to-cache	Single-beat read or burst	0	1	0	1	1	Clean
Reserved	—	0	1	1	1	1	N/A
Reserved	—	1	X	X	1	1	N/A

### 7.2.4.2 Transfer Size (TSIZ[0–2])—Output

Following are the state meaning and timing comments for the transfer size (TSIZ[0–2]) output signals on the MPC750.

**State Meaning** Asserted/Negated—For memory accesses, these signals along with  $\overline{\text{TBST}}$ , indicate the data transfer size for the current bus operation, as shown in Table 7-3. Table 8-3 shows how the transfer size signals are used with the address signals for aligned transfers. Table 8-4 shows how the transfer size signals are used with the address signals for misaligned transfers. Note that the MPC750 does not generate all possible TSIZ[0–2] encodings.

For external control instructions (**eciwx** and **ecowx**), TSIZ[0–2] are used to output bits 29–31 of the external access register (EAR), which are used to form the resource ID ( $\overline{\text{TBST}}||\text{TSIZ0}–\text{TSIZ2}$ ).

**Timing Comments** Assertion/Negation—The same as A[0–31].  
High Impedance—The same as A[0–31].

**Table 7-3. Data Transfer Size**

$\overline{\text{TBST}}$	TSIZ[0–2]	Transfer Size
Asserted	010	Burst (32 bytes)
Negated	000	8 bytes
Negated	001	1 byte
Negated	010	2 bytes
Negated	011	3 bytes

**Table 7-3. Data Transfer Size (Continued)**

$\overline{\text{TBST}}$	TSIZ[0–2]	Transfer Size
Negated	100	4 bytes
Negated	101	5 bytes <sup>1</sup>
Negated	110	6 bytes <sup>1</sup>
Negated	111	7 bytes <sup>1</sup>

**Note:** <sup>1</sup>Not generated by MPC750.

### 7.2.4.3 Transfer Burst ( $\overline{\text{TBST}}$ )

The transfer burst ( $\overline{\text{TBST}}$ ) signal is an input/output signal on the MPC750.

#### 7.2.4.3.1 Transfer Burst ( $\overline{\text{TBST}}$ )—Output

Following are the state meaning and timing comments for the  $\overline{\text{TBST}}$  output signal.

**State Meaning**      Asserted—Indicates that a burst transfer is in progress.  
                              Negated—Indicates that a burst transfer is not in progress.  
                              For external control instructions (**eciwx** and **ecowx**),  $\overline{\text{TBST}}$  is used to output bit 28 of the EAR, which is used to form the resource ID ( $\overline{\text{TBST}}||\text{TSIZ0–TSIZ2}$ ).

**Timing Comments**    Assertion/Negation—The same as A[0–31].  
                              High Impedance—The same as A[0–31].

#### 7.2.4.3.2 Transfer Burst ( $\overline{\text{TBST}}$ )—Input

Following are the state meaning and timing comments for the  $\overline{\text{TBST}}$  input signal.

**State Meaning**      Asserted/Negated—Used when snooping for single-beat reads (read with no intent to cache).

**Timing Comments**    Assertion/Negation—The same as A[0–31].

### 7.2.4.4 Cache Inhibit ( $\overline{\text{CI}}$ )—Output

The cache inhibit ( $\overline{\text{CI}}$ ) signal is an output signal on the MPC750. Following are the state meaning and timing comments for the  $\overline{\text{CI}}$  signal.

**State Meaning**      Asserted—Indicates that a single-beat transfer will not be cached, reflecting the setting of the I bit for the block or page that contains the address of the current transaction.  
                              Negated—Indicates that a burst transfer will allocate an MPC750 data cache block.

**Timing Comments**    Assertion/Negation—The same as A[0–31].  
                              High Impedance—The same as A[0–31].



### 7.2.4.5 Write-Through ( $\overline{\text{WT}}$ )—Output

The write-through ( $\overline{\text{WT}}$ ) signal is an output signal on the MPC750. Following are the state meaning and timing comments for the  $\overline{\text{WT}}$  signal.

**State Meaning** Asserted—Indicates that a single-beat write transaction is write-through, reflecting the value of the W bit for the block or page that contains the address of the current transaction. Assertion during a read operation indicates instruction fetching.

Negated—Indicates that a write transaction is not write-through; during a read operation negation indicates a data load.

**Timing Comments** Assertion/Negation—The same as A[0–31].  
High Impedance—The same as A[0–31].

### 7.2.4.6 Global ( $\overline{\text{GBL}}$ )

The global ( $\overline{\text{GBL}}$ ) signal is an input/output signal on the MPC750.

#### 7.2.4.6.1 Global ( $\overline{\text{GBL}}$ )—Output

Following are the state meaning and timing comments for the  $\overline{\text{GBL}}$  output signal.

**State Meaning** Asserted—Indicates that a transaction is global, reflecting the setting of the M bit for the block or page that contains the address of the current transaction (except in the case of copy-back operations and instruction fetches, which are nonglobal.)

Negated—Indicates that a transaction is not global.

**Timing Comments** Assertion/Negation—The same as A[0–31].  
High Impedance—The same as A[0–31].

#### 7.2.4.6.2 Global ( $\overline{\text{GBL}}$ )—Input

Following are the state meaning and timing comments for the  $\overline{\text{GBL}}$  input signal.

**State Meaning** Asserted—Indicates that a transaction must be snooped by the MPC750.

Negated—Indicates that a transaction is not snooped by the MPC750.

**Timing Comments** Assertion/Negation—The same as A[0–31].

### 7.2.5 Address Transfer Termination Signals

The address transfer termination signals are used to indicate either that the address phase of the transaction has completed successfully or must be repeated, and when it should be terminated. For detailed information about how these signals interact, see Section 8.3.3, “Address Transfer Termination.”

### 7.2.5.1 Address Acknowledge ( $\overline{\text{AACK}}$ )—Input

The address acknowledge ( $\overline{\text{AACK}}$ ) signal is an input-only signal on the MPC750. Following are the state meaning and timing comments for the  $\overline{\text{AACK}}$  signal.

<b>State Meaning</b>	Asserted—Indicates that the address phase of a transaction is complete. The address bus will go to a high-impedance state on the next bus clock cycle. The MPC750 samples $\overline{\text{ARTRY}}$ on the bus clock cycle following the assertion of $\overline{\text{AACK}}$ . Negated—(During $\overline{\text{ABB}}$ ) indicates that the address bus and the transfer attributes must remain driven.
<b>Timing Comments</b>	Assertion—May occur as early as the bus clock cycle after $\overline{\text{TS}}$ is asserted; assertion can be delayed to allow adequate address access time for slow devices. For example, if an implementation supports slow snooping devices, an external arbiter can postpone the assertion of $\overline{\text{AACK}}$ . Negation—Must occur one bus clock cycle after the assertion of $\overline{\text{AACK}}$ .

### 7.2.5.2 Address Retry ( $\overline{\text{ARTRY}}$ )

The address retry ( $\overline{\text{ARTRY}}$ ) signal is both an input and output signal on the MPC750.

#### 7.2.5.2.1 Address Retry ( $\overline{\text{ARTRY}}$ )—Output

Following are the state meaning and timing comments for the  $\overline{\text{ARTRY}}$  output signal.

<b>State Meaning</b>	Asserted—Indicates that the MPC750 detects a condition in which a snooped address tenure must be retried. If the MPC750 needs to update memory as a result of the snoop that caused the retry, the MPC750 asserts $\overline{\text{BR}}$ the second cycle after $\overline{\text{AACK}}$ if $\overline{\text{ARTRY}}$ is asserted. High Impedance—Indicates that the MPC750 does not need the snooped address tenure to be retried.
<b>Timing Comments</b>	Assertion—Asserted the third bus cycle following the assertion of $\overline{\text{TS}}$ if a retry is required. Negation—Occurs the second bus cycle after the assertion of $\overline{\text{AACK}}$ . Since this signal may be simultaneously driven by multiple devices, it negates in a unique fashion. First the buffer goes to high impedance for a minimum of one-half processor cycle (dependent on the clock mode), then it is driven negated for one bus cycle before returning to high impedance. This special method of negation may be disabled by setting precharge disable in HIDO.

### 7.2.5.2.2 Address Retry ( $\overline{\text{ARTRY}}$ )—Input

Following are the state meaning and timing comments for the  $\overline{\text{ARTRY}}$  input signal.

**State Meaning** Asserted—If the MPC750 is the address bus master,  $\overline{\text{ARTRY}}$  indicates that the MPC750 must retry the preceding address tenure and immediately negate  $\overline{\text{BR}}$  (if asserted). If the associated data tenure has already started, the MPC750 also aborts the data tenure immediately, even if the burst data has been received. If the MPC750 is not the address bus master, this input indicates that the MPC750 should immediately negate  $\overline{\text{BR}}$  to allow an opportunity for a copy-back operation to main memory after a snooping bus master asserts  $\overline{\text{ARTRY}}$ . Note that the subsequent address presented on the address bus may not be the same one associated with the assertion of the  $\overline{\text{ARTRY}}$  signal.

Negated/High Impedance—Indicates that the MPC750 does not need to retry the last address tenure.

**Timing Comments** Assertion—May occur as early as the second cycle following the assertion of  $\overline{\text{TS}}$ , and must occur by the bus clock cycle immediately following the assertion of  $\overline{\text{AACK}}$  if an address retry is required.

Negation—Must occur two bus clock cycles after the assertion of  $\overline{\text{AACK}}$ .

## 7.2.6 Data Bus Arbitration Signals

Like the address bus arbitration signals, data bus arbitration signals maintain an orderly process for determining data bus mastership. Note that there is no data bus arbitration signal equivalent to the address bus arbitration signal  $\overline{\text{BR}}$  (bus request), because, except for address-only transactions,  $\overline{\text{TS}}$  implies data bus requests. For a detailed description on how these signals interact, see Section 8.4.1, “Data Bus Arbitration.”

One special signal,  $\overline{\text{DBWO}}$ , allows the MPC750 to be configured dynamically to write data out of order with respect to read data. For detailed information about using  $\overline{\text{DBWO}}$ , see Section 8.10, “Using Data Bus Write Only.”

### 7.2.6.1 Data Bus Grant ( $\overline{\text{DBG}}$ )—Input

The data bus grant ( $\overline{\text{DBG}}$ ) signal is an input-only signal on the MPC750. Following are the state meaning and timing comments for the  $\overline{\text{DBG}}$  signal.

**State Meaning** Asserted—Indicates that the MPC750 may, with the proper qualification, assume mastership of the data bus. The MPC750 derives a qualified data bus grant when  $\overline{\text{DBG}}$  is asserted and  $\overline{\text{DBB}}$ ,  $\overline{\text{DRTRY}}$ , and  $\overline{\text{ARTRY}}$  are negated; that is, the data bus is not busy ( $\overline{\text{DBB}}$  is negated), there is no outstanding attempt to retry the current data tenure ( $\overline{\text{DRTRY}}$  is negated), and there is no outstanding attempt to perform an  $\overline{\text{ARTRY}}$  of the associated address tenure.

Negated—Indicates that the MPC750 must hold off its data tenures.

**Timing Comments** Assertion—May occur any time to indicate the MPC750 is free to take data bus mastership. It is not sampled until  $\overline{TS}$  is asserted.  
Negation—May occur at any time to indicate the MPC750 cannot assume data bus mastership.

### 7.2.6.2 Data Bus Write Only ( $\overline{DBWO}$ )—Input

The data bus write only ( $\overline{DBWO}$ ) signal is an input-only signal on the MPC750. Following are the state meaning and timing comments for the  $\overline{DBWO}$  signal.

**State Meaning** Asserted—Indicates that the MPC750 may run the data bus tenure for an outstanding write address even if a read address is pipelined before the write address. Refer to Section 8.10, “Using Data Bus Write Only,” for detailed instructions for using  $\overline{DBWO}$ .  
Negated—Indicates that the MPC750 must run the data bus tenures in the same order as the address tenures.

**Timing Comments** Assertion—Must occur no later than a qualified  $\overline{DBG}$  for an outstanding write tenure.  $\overline{DBWO}$  is sampled by the MPC750 on the clock of a qualified  $\overline{DBG}$ . If no write requests are pending, the MPC750 will ignore  $\overline{DBWO}$  and assume data bus ownership for the next pending read request.  
Negation—May occur any time after a qualified  $\overline{DBG}$  and before the next assertion of  $\overline{DBG}$ .

### 7.2.6.3 Data Bus Busy ( $\overline{DBB}$ )

The data bus busy ( $\overline{DBB}$ ) signal is both an input and output signal on the MPC750.

#### 7.2.6.3.1 Data Bus Busy ( $\overline{DBB}$ )—Output

Following are the state meaning and timing comments for the  $\overline{DBB}$  output signal.

**State Meaning** Asserted—Indicates that the MPC750 is the data bus master. The MPC750 always assumes data bus mastership if it needs the data bus and is given a qualified data bus grant (see  $\overline{DBG}$ ).  
Negated—Indicates that the MPC750 is not using the data bus.

**Timing Comments** Assertion—Occurs during the bus clock cycle following a qualified  $\overline{DBG}$ .  
Negation—Occurs for a minimum of one-half bus clock cycle (dependent on clock mode) following the assertion of the final  $\overline{TA}$ .  
High Impedance—Occurs after  $\overline{DBB}$  is negated.

#### 7.2.6.3.2 Data Bus Busy ( $\overline{DBB}$ )—Input

Following are the state meaning and timing comments for the  $\overline{DBB}$  input signal.

**State Meaning** Asserted—Indicates that another device is bus master.  
Negated—Indicates that the data bus is free (with proper qualification, see  $\overline{DBG}$ ) for use by the MPC750.

**Timing Comments** Assertion—Must occur when the MPC750 must be prevented from using the data bus.

Negation—May occur whenever the data bus is available.

## 7.2.7 Data Transfer Signals

Like the address transfer signals, the data transfer signals are used to transmit data and to generate and monitor parity for the data transfer. For a detailed description of how the data transfer signals interact, see Section 8.4.3, “Data Transfer.”

### 7.2.7.1 Data Bus (DH[0–31], DL[0–31])

The data bus (DH[0–31] and DL[0–31]) consists of 64 signals that are both inputs and outputs on the MPC750. Following are the state meaning and timing comments for the DH and DL signals.

**State Meaning** The data bus has two halves—data bus high (DH) and data bus low (DL). See Table 7-4 for the data bus lane assignments.

**Timing Comments** The data bus is driven once for noncached transactions and four times for cache transactions (bursts).

**Table 7-4. Data Bus Lane Assignments**

Data Bus Signals	Byte Lane
DH[0–7]	0
DH[8–15]	1
DH[16–23]	2
DH[24–31]	3
DL[0–7]	4
DL[8–15]	5
DL[16–23]	6
DL[24–31]	7

#### 7.2.7.1.1 Data Bus (DH[0–31], DL[0–31])—Output

Following are the state meaning and timing comments for the DH and DL output signals.

**State Meaning** Asserted/Negated—Represents the state of data during a data write. Byte lanes not selected for data transfer will not supply valid data.

**Timing Comments** Assertion/Negation—Initial beat coincides with  $\overline{DBB}$  and, for bursts, transitions on the bus clock cycle following each assertion of  $\overline{TA}$ .

High Impedance—Occurs on the bus clock cycle after the final assertion of  $\overline{TA}$ , following the assertion of  $\overline{TEA}$ , or in certain  $\overline{ARTRY}$  cases.

### 7.2.7.1.2 Data Bus (DH[0–31], DL[0–31])—Input

Following are the state meaning and timing comments for the DH and DL input signals.

**State Meaning** Asserted/Negated—Represents the state of data during a data read transaction.

**Timing Comments** Assertion/Negation—Data must be valid on the same bus clock cycle that  $\overline{TA}$  is asserted.

### 7.2.7.2 Data Bus Parity (DP[0–7])

The eight data bus parity (DP[0–7]) signals on the MPC750 are both output and input signals.

#### 7.2.7.2.1 Data Bus Parity (DP[0–7])—Output

Following are the state meaning and timing comments for the DP output signals.

**State Meaning** Asserted/Negated—Represents odd parity for each of the 8 bytes of data write transactions. Odd parity means that an odd number of bits, including the parity bit, are driven high. The generation of parity is enabled through HID0. The signal assignments are listed in Table 7-5.

**Timing Comments** Assertion/Negation—The same as DL[0–31].  
High Impedance—The same as DL[0–31].

**Table 7-5. DP[0–7] Signal Assignments**

Signal Name	Signal Assignments
DP0	DH[0–7]
DP1	DH[8–15]
DP2	DH[16–23]
DP3	DH[24–31]
DP4	DL[0–7]
DP5	DL[8–15]
DP6	DL[16–23]
DP7	DL[24–31]

#### 7.2.7.2.2 Data Bus Parity (DP[0–7])—Input

Following are the state meaning and timing comments for the DP input signals.

**State Meaning** Asserted/Negated—Represents odd parity for each byte of read data. Parity is checked on all data byte lanes, regardless of the size of the transfer. Detected even parity causes a checkstop if data parity errors are enabled in the HID0 register.

**Timing Comments** Assertion/Negation—The same as DL[0–31].

### 7.2.7.3 Data Bus Disable ( $\overline{\text{DBDIS}}$ )—Input

Following are the state meaning and timing comments for the  $\overline{\text{DBDIS}}$  signal.

**State Meaning** Asserted—Indicates (for a write transaction) that the MPC750 must release the data bus and the data bus parity to high impedance during the following cycle. The data tenure remains active,  $\overline{\text{DBB}}$  remains driven, and the transfer termination signals are still monitored by the MPC750.

Negated—Indicates the data bus should remain normally driven.  $\overline{\text{DBDIS}}$  is ignored during read transactions.

**Timing Comments** Assertion/Negation—May be asserted on any clock cycle when the MPC750 is driving or will be driving the data bus; may remain asserted multiple cycles.

### 7.2.8 Data Transfer Termination Signals

Data termination signals are required after each data beat in a data transfer. Note that in a single-beat transaction, the data termination signals also indicate the end of the tenure, while in burst accesses, the data termination signals apply to individual beats and indicate the end of the tenure only after the final data beat.

For a detailed description of how these signals interact, see Section 8.4.4, “Data Transfer Termination.”

#### 7.2.8.1 Transfer Acknowledge ( $\overline{\text{TA}}$ )—Input

Following are the state meaning and timing comments for the  $\overline{\text{TA}}$  signal.

**State Meaning** Asserted—Indicates that a single-beat data transfer completed successfully or that a data beat in a burst transfer completed successfully (unless  $\overline{\text{DRTRY}}$  is asserted on the next bus clock cycle). Note that  $\overline{\text{TA}}$  must be asserted for each data beat in a burst transaction and must be asserted during assertion of  $\overline{\text{DRTRY}}$ . For more information, see Section 8.4.4, “Data Transfer Termination.”

Negated—(During  $\overline{\text{DBB}}$ ) indicates that, until  $\overline{\text{TA}}$  is asserted, the MPC750 must continue to drive the data for the current write or must wait to sample the data for reads.

**Timing Comments** Assertion—Must not occur before  $\overline{\text{AACK}}$  for the current transaction (if the address retry mechanism is to be used to prevent invalid data from being used by the processor); otherwise, assertion may occur at any time during the assertion of  $\overline{\text{DBB}}$ . The system can withhold assertion of  $\overline{\text{TA}}$  to indicate that the MPC750 should insert wait states to extend the duration of the data beat.

Negation—Must occur after the bus clock cycle of the final (or only) data beat of the transfer. For a burst transfer, the system can assert  $\overline{\text{TA}}$

for one bus clock cycle and then negate it to advance the burst transfer to the next beat and insert wait states during the next beat.

### 7.2.8.2 Data Retry ( $\overline{\text{DRTRY}}$ )—Input

Following are the state meaning and timing comments for the  $\overline{\text{DRTRY}}$  signal.

<b>State Meaning</b>	Asserted—Indicates that the MPC750 must invalidate the data from the previous read operation.
	Negated—Indicates that data presented with $\overline{\text{TA}}$ on the previous read operation is valid. Note that $\overline{\text{DRTRY}}$ is ignored for write transactions.
<b>Timing Comments</b>	Assertion—Must occur during the bus clock cycle immediately after $\overline{\text{TA}}$ is asserted if a retry is required. The $\overline{\text{DRTRY}}$ signal may be held asserted for multiple bus clock cycles. When $\overline{\text{DRTRY}}$ is negated, data must have been valid on the previous clock with $\overline{\text{TA}}$ asserted.
	Negation—Must occur during the bus clock cycle after a valid data beat. This may occur several cycles after $\overline{\text{DBB}}$ is negated, effectively extending the data bus tenure.
	Start-up—The $\overline{\text{DRTRY}}$ signal is sampled at the negation of $\overline{\text{HRESET}}$ ; if $\overline{\text{DRTRY}}$ is asserted, no- $\overline{\text{DRTRY}}$ mode is selected. If $\overline{\text{DRTRY}}$ is negated at start-up, $\overline{\text{DRTRY}}$ is enabled.

### 7.2.8.3 Transfer Error Acknowledge ( $\overline{\text{TEA}}$ )—Input

Following are the state meaning and timing comments for the  $\overline{\text{TEA}}$  signal.

<b>State Meaning</b>	Asserted—Indicates that a bus error occurred. Causes a machine check exception (and possibly causes the processor to enter checkstop state if machine check enable bit is cleared ( $\text{MSR}[\text{ME}] = 0$ )). For more information, see Section 4.5.2.2, “Checkstop State ( $\text{MSR}[\text{ME}] = 0$ ).” Assertion terminates the current transaction; that is, assertion of $\overline{\text{TA}}$ and $\overline{\text{DRTRY}}$ are ignored. The assertion of $\overline{\text{TEA}}$ causes the negation/high impedance of $\overline{\text{DBB}}$ in the next clock cycle. However, data entering the GPR or the cache are not invalidated. (Note that the term ‘exception’ is also referred to as ‘interrupt’ in the architecture specification.)
	Negated—Indicates that no bus error was detected.
<b>Timing Comments</b>	Assertion—May be asserted while $\overline{\text{DBB}}$ is asserted, and the cycle after $\overline{\text{TA}}$ during a read operation. $\overline{\text{TEA}}$ should be asserted for one cycle only.
	Negation— $\overline{\text{TEA}}$ must be negated no later than the negation of $\overline{\text{DBB}}$ .



## 7.2.9 System Status Signals

Most system status signals are input signals that indicate when exceptions are received, when checkstop conditions have occurred, and when the MPC750 must be reset. The MPC750 generates the output signal,  $\overline{\text{CKSTP\_OUT}}$ , when it detects a checkstop condition. For a detailed description of these signals, see Section 8.7, “Interrupt, Checkstop, and Reset Signals.”

### 7.2.9.1 Interrupt ( $\overline{\text{INT}}$ )—Input

Following are the state meaning and timing comments for the  $\overline{\text{INT}}$  signal.

**State Meaning**      Asserted—The MPC750 initiates an interrupt if MSR[EE] is set; otherwise, the MPC750 ignores the interrupt. To guarantee that the MPC750 will take the external interrupt,  $\overline{\text{INT}}$  must be held active until the MPC750 takes the interrupt; otherwise, whether the MPC750 takes an external interrupt depends on whether the MSR[EE] bit was set while the  $\overline{\text{INT}}$  signal was held active.  
Negated—Indicates that normal operation should proceed. See Section 8.7.1, “External Interrupts.”

**Timing Comments**    Assertion—May occur at any time and may be asserted asynchronously to the input clocks. The  $\overline{\text{INT}}$  input is level-sensitive.  
Negation—Should not occur until interrupt is taken.

### 7.2.9.2 System Management Interrupt ( $\overline{\text{SMI}}$ )—Input

Following are the state meaning and timing comments for  $\overline{\text{SMI}}$ .

**State Meaning**      Asserted—The MPC750 initiates a system management interrupt operation if the MSR[EE] is set; otherwise, the MPC750 ignores the exception condition. The system must hold  $\overline{\text{SMI}}$  active until the exception is taken.  
Negated—Indicates that normal operation should proceed. See Section 8.7.1, “External Interrupts.”

**Timing Comments**    Assertion—May occur at any time and may be asserted asynchronously to the input clocks. The  $\overline{\text{SMI}}$  input is level-sensitive.  
Negation—Should not occur until interrupt is taken.

### 7.2.9.3 Machine Check Interrupt ( $\overline{\text{MCP}}$ )—Input

Following are the state meaning and timing comments for the  $\overline{\text{MCP}}$  signal.

**State Meaning**      Asserted—The MPC750 initiates a machine check interrupt operation if MSR[ME] and HID0[EMCP] are set; if MSR[ME] is cleared and HID0[EMCP] is set, the MPC750 must terminate operation by internally gating off all clocks, and releasing all outputs (except  $\overline{\text{CKSTP\_OUT}}$ ) to the high-impedance state. If HID0[EMCP]

is cleared, the MPC750 ignores the interrupt condition. The  $\overline{MCP}$  signal must be held asserted for two bus clock cycles.

Negated—Indicates that normal operation should proceed. See Section 8.7.1, “External Interrupts.”

**Timing Comments** Assertion—May occur at any time and may be asserted asynchronously to the input clocks. The  $\overline{MCP}$  input is negative edge-sensitive.

Negation—May be negated two bus cycles after assertion.

#### 7.2.9.4 Checkstop Input ( $\overline{CKSTP\_IN}$ )—Input

Following are the state meaning and timing comments for the  $\overline{CKSTP\_IN}$  signal.

**State Meaning** Asserted—Indicates that the MPC750 must terminate operation by internally gating off all clocks, and release all outputs (except  $\overline{CKSTP\_OUT}$ ) to the high-impedance state. Once  $\overline{CKSTP\_IN}$  has been asserted it must remain asserted until the system has been reset.

Negated—Indicates that normal operation should proceed. See Section 8.7.2, “Checkstops.”

**Timing Comments** Assertion—May occur at any time and may be asserted asynchronously to the input clocks.

Negation—May occur any time after the  $\overline{CKSTP\_OUT}$  output signal has been asserted.

#### 7.2.9.5 Checkstop Output ( $\overline{CKSTP\_OUT}$ )—Output

Note that the  $\overline{CKSTP\_OUT}$  signal is an open-drain type output, and requires an external pull-up resistor (for example, 10 k $\Omega$  to  $V_{dd}$ ) to assure proper de-assertion of the  $\overline{CKSTP\_OUT}$  signal. Following are the state meaning and timing comments for the  $\overline{CKSTP\_OUT}$  signal.

**State Meaning** Asserted—Indicates that the MPC750 has detected a checkstop condition and has ceased operation.

Negated—Indicates that the MPC750 is operating normally. See Section 8.7.2, “Checkstops.”

**Timing Comments** Assertion—May occur at any time and may be asserted asynchronously to the MPC750 input clocks.

Negation—Is negated upon assertion of  $\overline{HRESET}$ .

### 7.2.9.6 Reset Signals

There are two reset signals on the MPC750—hard reset ( $\overline{\text{HRESET}}$ ) and soft reset ( $\overline{\text{SRESET}}$ ). Descriptions of the reset signals are as follows:

#### 7.2.9.6.1 Hard Reset ( $\overline{\text{HRESET}}$ )—Input

The hard reset ( $\overline{\text{HRESET}}$ ) signal must be used at power-on in conjunction with the  $\overline{\text{TRST}}$  signal to properly reset the processor. Following are the state meaning and timing comments for the  $\overline{\text{HRESET}}$  signal.

**State Meaning**      Asserted—Initiates a complete hard reset operation when this input transitions from asserted to negated. Causes a reset exception as described in Section 4.5.1, “System Reset Exception (0x00100).” Output drivers are released to high impedance within five clocks after the assertion of  $\overline{\text{HRESET}}$ .

Negated—Indicates that normal operation should proceed. See Section 8.7.3, “Reset Inputs.”

**Timing Comments**    Assertion—May occur at any time and may be asserted asynchronously to the MPC750 input clock; must be held asserted for a minimum of 255 clock cycles after the PLL lock time has been met. Refer to the MPC750 hardware specifications for further timing comments.

Negation—May occur any time after the minimum reset pulse width has been met.

This input has additional functionality in certain test modes.

#### 7.2.9.6.2 Soft Reset ( $\overline{\text{SRESET}}$ )—Input

Following are the state meaning and timing comments for the  $\overline{\text{SRESET}}$  signal.

**State Meaning**      Asserted—Initiates processing for a reset exception as described in Section 4.5.1, “System Reset Exception (0x00100).”

Negated—Indicates that normal operation should proceed. See Section 8.7.3, “Reset Inputs.”

**Timing Comments**    Assertion—May occur at any time and may be asserted asynchronously to the MPC750 input clock. The  $\overline{\text{SRESET}}$  input is negative edge-sensitive.

Negation—May be negated two bus cycles after assertion.

This input has additional functionality in certain test modes.

### 7.2.9.7 Processor Status Signals

Processor status signals indicate the state of the processor. This includes the memory reservation signal, machine quiesce control signals, time base enable signal, and  $\overline{\text{TLBISYNC}}$  signal.

#### 7.2.9.7.1 Quiescent Request ( $\overline{\text{QREQ}}$ )—Output

Following are the state meaning and timing comments for  $\overline{\text{QREQ}}$ .

**State Meaning** Asserted—Indicates that the MPC750 is requesting all bus activity normally required to be snooped to terminate or to pause so the MPC750 may enter a quiescent (low power) state. When the MPC750 has entered a quiescent state, it no longer snoops bus activity.

Negated—Indicates that the MPC750 is not making a request to enter the quiescent state.

**Timing Comments** Assertion/Negation—May occur on any cycle.  $\overline{\text{QREQ}}$  will remain asserted for the duration of the quiescent state.

#### 7.2.9.7.2 Quiescent Acknowledge ( $\overline{\text{QACK}}$ )—Input

Following are the state meaning and timing comments for the  $\overline{\text{QACK}}$  signal.

**State Meaning** Asserted—Indicates that all bus activity that requires snooping has terminated or paused, and that the MPC750 may enter the quiescent (or low power) state.

Negated—Indicates that the MPC750 may not enter a quiescent state, and must continue snooping the bus.

**Timing Comments** Assertion/Negation—May occur on any cycle following the assertion of  $\overline{\text{QREQ}}$ , and must be held asserted for at least one bus clock cycle.

#### 7.2.9.7.3 Reservation ( $\overline{\text{RSRV}}$ )—Output

Following are the state meaning and timing comments for  $\overline{\text{RSRV}}$ .

**State Meaning** Asserted/Negated—Represents the state of the reservation coherency bit in the reservation address register that is used by the **lwarx** and **stwcx** instructions. See Section 8.8.1, “Support for the lwarx/stwcx Instruction Pair.”

**Timing Comments** Assertion/Negation—Occurs synchronously with respect to bus clock cycles. The execution of an **lwarx** instruction sets the internal reservation condition.

#### 7.2.9.7.4 Time Base Enable (**TBEN**)—Input

Following are the state meaning and timing comments for the TBEN signal.

**State Meaning** Asserted—Indicates that the time base should continue clocking. This input is essentially a count enable control for the time base counter.

Negated—Indicates the time base should stop clocking.

**Timing Comments** Assertion/Negation—May occur on any cycle.

#### 7.2.9.7.5 TLBI Sync ( $\overline{\text{TLBISYNC}}$ )—Input

The TLBI Sync ( $\overline{\text{TLBISYNC}}$ ) signal is an input-only signal on the MPC750. Following are the state meaning and timing comments for the  $\overline{\text{TLBISYNC}}$  signal.

**State Meaning**      Asserted—Indicates that instruction execution should stop after execution of a **tlbsync** instruction.  
Negated—Indicates that the instruction execution may continue or resume after the completion of a **tlbsync** instruction.

**Timing Comments**    Assertion/Negation—May occur on any cycle. The  $\overline{\text{TLBISYNC}}$  signal must be held negated during  $\overline{\text{HRESET}}$ .

#### 7.2.9.7.6 L2 Cache Interface

The MPC750's dedicated L2 cache interface provides all the signals required for the support of up to 1 Mbyte of synchronous SRAM for data storage. The use of the L2 data parity (L2DP[0–7]) and L2 low-power mode enable (L2ZZ) signals is optional, and depends on the SRAMs selected for use with the MPC750. Note that the least-significant bit of L2 address (L2ADDR[16–0]) signals is identified as bit 0, and the most-significant bit is identified as bit 16.

Note that the L2 cache interface is not implemented in the MPC740.

#### 7.2.9.8 L2 Address (L2ADDR[16–0])—Output

Following are the state meaning and timing comments for the L2 address output signals.

**State Meaning**      Asserted/Negated—Represents the address of the data to be transferred to the L2 cache. The L2 address bus is configured with bit 0 as the least-significant bit. Address bit 14 determines which cache tag set is selected.

**Timing Comments**    Assertion/Negation—Driven valid by the MPC750 during read and write operations; driven with static data when the L2 cache memory is not being accessed.

#### 7.2.9.9 L2 Data (L2DATA[0–63])

The data bus (L2DATA[0–63]) consists of 64 signals that are both input and output on the MPC750.

##### 7.2.9.9.1 L2 Data (L2DATA[0–63])—Output

Following are the state meaning and timing comments for the L2 data output signals.

**State Meaning**      Asserted/Negated—Represents the state of data during a data write transaction; data is always transferred as double words.

**Timing Comments**    Assertion/Negation—Driven valid by MPC750 during write operations; driven with static data when the L2 cache memory is not being accessed by a read operation.

High Impedance—Occurs for at least one cycle when changing between read and write operations to the L2 cache memory.

#### 7.2.9.9.2 L2 Data (L2DATA[0–63])—Input

Following are the state meaning and timing comments for the L2 data input signals.

**State Meaning** Asserted/Negated—Represents the state of data during a data read transaction; data is always transferred as double words.

**Timing Comments** Assertion/Negation—Driven valid by L2 cache memory during read operations.

#### 7.2.9.10 L2 Data Parity (L2DP[0–7])

The eight data bus parity (L2DP[0–7]) signals on the MPC750 are both output and input signals.

##### 7.2.9.10.1 L2 Data Parity (L2DP[0–7])—Output

Following are the state meaning and timing comments for the L2 data parity output signals.

**State Meaning** Asserted/Negated—Represents odd parity for each of the 8 bytes of L2 cache data during write transactions. Odd parity means that an odd number of bits, including the parity bit, are driven high. Note that parity bit 0 is associated with bits 0–7 (byte lane 0) of the L2DATA bus.

**Timing Comments** Assertion/Negation—The same as L2DATA[0–63].  
High Impedance—The same as L2DATA[0–63].

##### 7.2.9.10.2 L2 Data Parity (L2DP[0–7])—Input

Following are the state meaning and timing comments for the L2 parity input signals.

**State Meaning** Asserted/Negated—Represents odd parity for each byte of L2 cache read data.

**Timing Comments** Assertion/Negation—The same as L2DATA[0–63].

#### 7.2.9.11 L2 Chip Enable ( $\overline{\text{L2CE}}$ )—Output

Following are the state meaning and timing comments for the  $\overline{\text{L2CE}}$  signal.

**State Meaning** Asserted—Indicates that the L2 cache memory devices are being selected for a read or write operation.

Negated—Indicates that the MPC750 is not selecting the L2 cache memory devices for a read or write operation.

**Timing Comments** Assertion/Negation—May occur on any cycle.  $\overline{\text{L2CE}}$  is driven high during  $\overline{\text{HRESET}}$  assertion.

### 7.2.9.12 L2 Write Enable ( $\overline{\text{L2WE}}$ )—Output

Following are the state meaning and timing comments for the  $\overline{\text{L2WE}}$  signal.

- State Meaning**      Asserted—Indicates that the MPC750 is performing a write operation to the L2 cache memory.  
Negated—Indicates that the MPC750 is not performing an L2 cache memory write operation.
- Timing Comments**    Assertion/Negation—May occur on any cycle.  $\overline{\text{L2WE}}$  is driven high during  $\overline{\text{HRESET}}$  assertion.

### 7.2.9.13 L2 Clock Out A ( $\text{L2CLK\_OUTA}$ )—Output

Following are the state meaning and timing comments for the  $\text{L2CLK\_OUTA}$  signal.

- State Meaning**      Asserted/Negated—Clock output for L2 cache memory devices. The  $\text{L2CLK\_OUTA}$  signal is identical and synchronous with the  $\text{L2CLK\_OUTB}$  signal, and provides the capability to drive up to four L2 cache memory devices. If differential L2 clocking is configured through the setting of the  $\text{L2CR}$ , the  $\text{L2CLK\_OUTB}$  signal is driven phase inverted with relation to the  $\text{L2CLK\_OUTA}$  signal.
- Timing Comments**    Assertion/Negation—Refer to the MPC750 hardware specifications for timing comments. The  $\text{L2CLK\_OUTA}$  signal is driven low during assertion of  $\overline{\text{HRESET}}$ .

### 7.2.9.14 L2 Clock Out B ( $\text{L2CLK\_OUTB}$ )—Output

Following are the state meaning and timing comments for the  $\text{L2CLK\_OUTB}$  signal.

- State Meaning**      Asserted/Negated—Clock output for L2 cache memory devices. The  $\text{L2CLK\_OUTB}$  signal is identical and synchronous with the  $\text{L2CLK\_OUTA}$  signal, and provides the capability to drive up to four L2 cache memory devices. If differential L2 clocking is configured through the setting of the  $\text{L2CR}$ , the  $\text{L2CLK\_OUTA}$  signal is driven phase inverted with relation to the  $\text{L2CLK\_OUTB}$  signal.
- Timing Comments**    Assertion/Negation—Refer to the MPC750 hardware specifications for timing comments. The  $\text{L2CLK\_OUTB}$  signal is driven low during assertion of  $\overline{\text{HRESET}}$ .

### 7.2.9.15 L2 Sync Out ( $\text{L2SYNC\_OUT}$ )—Output

Following are the state meaning and timing comments for the  $\text{L2SYNC\_OUT}$  signal.

- State Meaning**      Asserted/Negated—Clock output for L2 clock synchronization. The  $\text{L2SYNC\_OUT}$  signal should be routed half of the trace length to the L2 cache memory devices and returned to the  $\text{L2SYNC\_IN}$  signal input.

**Timing Comments** Assertion/Negation—Refer to the MPC750 hardware specifications for timing comments. The L2SYNC\_OUT signal is driven low during assertion of  $\overline{\text{HRESET}}$ .

#### 7.2.9.16 L2 Sync In (L2SYNC\_IN)—Input

Following are the state meaning and timing comments for the L2SYNC\_IN signal.

**State Meaning** Asserted/Negated—Clock input for L2 clock synchronization. The L2SYNC\_IN signal is driven by the L2SYNC\_OUT signal output.

**Timing Comments** Assertion/Negation—Refer to the MPC750 hardware specifications for timing comments. The routing of this signal on the printed circuit board should ensure that the rising edge at L2SYNC\_IN is coincident with the rising edge of the clock at the clock input of the L2 cache memory devices.

#### 7.2.9.17 L2 Low-Power Mode Enable (L2ZZ)—Output

Following are the state meaning and timing comments for the L2ZZ signal.

**State Meaning** Asserted/Negated—Enables low-power mode for certain L2 cache memory devices. Operation of the signal is enabled through the L2CR.

**Timing Comments** Assertion/Negation—Occurs synchronously with the L2 clock when the MPC750 enters and exits the nap or sleep power modes; after negation of this signal, at least two L2 clock cycles will elapse before L2 cache operations resume. The L2ZZ signal is driven low during assertion of  $\overline{\text{HRESET}}$ .

### 7.2.10 IEEE 1149.1a-1993 Interface Description

The MPC750 has five dedicated JTAG signals which are described in Table 7-6. The test data input (TDI) and test data output (TDO) scan ports are used to scan instructions as well as data into the various scan registers for JTAG operations. The scan operation is controlled by the test access port (TAP) controller which in turn is controlled by the test mode select (TMS) input sequence. The scan data is latched in at the rising edge of test clock (TCK).

**Table 7-6. IEEE Interface Pin Descriptions**

Signal Name	Input/Output	Weak Pullup Provided	IEEE 1149.1a Function
TDI	Input	Yes	Serial scan input signal
TDO	Output	No	Serial scan output signal
TMS	Input	Yes	TAP controller mode signal
TCK	Input	Yes	Scan clock
$\overline{\text{TRST}}$	Input	Yes	TAP controller reset



Test reset ( $\overline{\text{TRST}}$ ) is a JTAG optional signal which is used to reset the TAP controller asynchronously. The  $\overline{\text{TRST}}$  signal assures that the JTAG logic does not interfere with the normal operation of the chip, and must be asserted and deasserted coincident with the assertion of the  $\overline{\text{HRESET}}$  signal.

### 7.2.11 Clock Signals

The MPC750 clock signal inputs determine the system clock frequency and provide a flexible clocking scheme that allows the processor to operate at an integer multiple of the system clock frequency.

Refer to the MPC750 hardware specifications for exact timing relationships of the clock signals.

#### 7.2.11.1 System Clock (SYSCLK)—Input

The MPC750 requires a single system clock (SYSCLK) input. This input sets the frequency of operation for the bus interface. Internally, the MPC750 uses a phase-locked loop (PLL) circuit to generate a master clock for all of the CPU circuitry (including the bus interface circuitry) which is phase-locked to the SYSCLK input. The master clock may be set to an integer or half-integer multiple (2:1, 2.5:1, 3:1, 3.5:1, 4:1, 4.5:1, 5:1, 5.5:1, 6:1, 6.5:1, or 7:1) of the SYSCLK frequency allowing the CPU core to operate at an equal or greater frequency than the bus interface.

**State Meaning** Asserted/Negated—The SYSCLK input is the primary clock input for the MPC750, and represents the bus clock frequency for MPC750 bus operation. Internally, the MPC750 may be operating at an integer or half-integer multiple of the bus clock frequency.

**Timing Comments** Duty cycle—Refer to the MPC750 hardware specifications for timing comments.

**Note:** SYSCLK is used as the frequency reference for the internal PLL clock generator, and must not be suspended or varied during normal operation to ensure proper PLL operation.

#### 7.2.11.2 Clock Out (CLK\_OUT)—Output

The clock out (CLK\_OUT) signal is an output signal (output-only) on the MPC750. Following are the state meaning and timing comments for the CLK\_OUT signal.

**State Meaning** Asserted/Negated—Provides PLL clock output for PLL testing and monitoring. The configuration of the HID0[SBCLK] and HID0[ECLK] bits determines whether the CLK\_OUT signal clocks at either the processor clock frequency, the bus clock frequency, or half of the bus clock frequency. See Table 2-5 for HID0 register configuration of the CLK\_OUT signal. The CLK\_OUT signal defaults to a high-impedance state following the assertion of HRESET. The CLK\_OUT signal is provided for testing only.

**Timing Comments** Assertion/Negation—Refer to the MPC750 hardware specifications for timing comments.

### 7.2.11.3 PLL Configuration (PLL\_CFG[0–3])—Input

The PLL (phase-locked loop) is configured by the PLL\_CFG[0–3] signals. For a given SYSCLK (bus) frequency, the PLL configuration signals set the internal CPU frequency of operation. Refer to the MPC750 hardware specifications for PLL configuration.

Following are the state meaning and timing comments for the PLL\_CFG[0–3] signals.

**State Meaning** Asserted/Negated— Configures the operation of the PLL and the internal processor clock frequency. Settings are based on the desired bus and internal frequency of operation.

**Timing Comments** Assertion/Negation—Must remain stable during operation; should only be changed during the assertion of  $\overline{\text{HRESET}}$  or during sleep mode. These bits may be read through the PC[0–3] bits in the HID1 register.

### 7.2.12 Power and Ground Signals

The MPC750 provides the following connections for power and ground:

- $V_{DD}$ —The  $V_{DD}$  signals provide the supply voltage connection for the processor core.
- $OV_{DD}$ —The  $OV_{DD}$  signals provide the supply voltage connection for the system interface drivers.
- $L2V_{DD}$ —The  $L2V_{DD}$  signals provide the supply voltage connection for the L2 cache interface drivers. These power supply signals are isolated from the  $V_{DD}$  and  $OV_{DD}$  power supply signals. These signals are not implemented on the MPC740.
- $AV_{DD}$ —The  $AV_{DD}$  power signal provides power to the clock generation phase-locked loop. See the MPC750 hardware specifications for information on how to use this signal.
- $L2AV_{DD}$ —The  $L2AV_{DD}$  power signal provides power to the L2 delay-locked loop. See the MPC750 hardware specifications for information on how to use this signal. This signal is not implemented on the MPC740.
- GND and OGND—The GND and OGND signals provide the connection for grounding the MPC750. On the MPC750, there is no electrical distinction between the GND and OGND signals.
- $L2GND$ —The  $L2GND$  signals provide the ground connection for the L2 cache interface. These ground signals are isolated from the GND and OGND ground signals. These signals are not implemented on the MPC740.

# Chapter 8

## System Interface Operation

This chapter describes the MPC750 microprocessor bus interface and its operation. It shows how the MPC750 signals, defined in Chapter 7, “Signal Descriptions,” interact to perform address and data transfers.

### 8.1 MPC750 System Interface Overview

The system interface prioritizes requests for bus operations from the instruction and data caches, and performs bus operations in accordance with the protocol described in the *PowerPC Microprocessor Family: The Bus Interface for 32-Bit Microprocessors*. It includes address register queues, prioritization logic, and bus control unit. The system interface latches snoop addresses for snooping in the data cache and in the address register queues, and for reservations controlled by the Load Word and Reserve Indexed (**lwarx**) and Store Word Conditional Indexed (**stwcx.**) instructions, and maintains the touch load address for the cache. The interface allows one level of pipelining; that is, with certain restrictions discussed later, there can be two outstanding transactions at any given time. Accesses are prioritized with load operations preceding store operations.

Instructions are automatically fetched from the memory system into the instruction unit where they are dispatched to the execution units at a peak rate of two instructions per clock. Conversely, load and store instructions explicitly specify the movement of operands to and from the integer and floating-point register files and the memory system.

When the MPC750 encounters an instruction or data access, it calculates the logical address (effective address in the architecture specification) and uses the low-order address bits to check for a hit in the on-chip, 32-Kbyte instruction and data caches. During cache lookup, the instruction and data memory management units (MMUs) use the higher-order address bits to calculate the virtual address, from which they calculate the physical address (real address in the architecture specification). The physical address bits are then compared with the corresponding cache tag bits to determine if a cache hit occurred in the L1 instruction or data cache. If the access misses in the corresponding cache, the physical address is used to access the L2 cache tags (if the L2 cache is enabled). If no match is found in the L2 cache tags, the physical address is used to access system memory.

In addition to the loads, stores, and instruction fetches, the MPC750 performs hardware table search operations following TLB misses, L2 cache cast-out operations when

least-recently used cache lines are written to memory after a cache miss, and cache-line snoop push-out operations when a modified cache line experiences a snoop hit from another bus master.

Figure 8-1 shows the address path from the execution units and instruction fetcher, through the translation logic to the caches and system interface logic.

The MPC750 uses separate address and data buses and a variety of control and status signals for performing reads and writes. The address bus is 32 bits wide and the data bus is 64 bits wide. The interface is synchronous—all MPC750 inputs are sampled at and all outputs are driven from the rising edge of the bus clock. The processor runs at a multiple of the bus-clock speed. The MPC750 core operates at 2.5 volts, and the I/O signals operate at 3.3 volts.

### 8.1.1 Operation of the Instruction and Data L1 Caches

The MPC750 provides independent instruction and data L1 caches. Each cache is a physically-addressed, 32-Kbyte cache with eight-way set associativity. Both caches consist of 128 sets of eight cache lines, with eight words in each cache line.

Because the data cache on the MPC750 is an on-chip, write-back primary cache, the predominant type of transaction for most applications is burst-read memory operations, followed by burst-write memory operations and single-beat (noncacheable or write-through) memory read and write operations. Additionally, there can be address-only operations, variants of the burst and single-beat operations (global memory operations that are snooped, and atomic memory operations, for example), and address retry activity (for example, when a snooped read access hits a modified line in the cache).

Since the MPC750 data cache tags are single ported, simultaneous load or store and snoop accesses cause resource contention. Snoop accesses have the highest priority and are given first access to the tags, unless the snoop access coincides with a tag write, in which case the snoop is retried and must re-arbitrate for access to the cache. Loads or stores that are deferred due to snoop accesses are performed on the clock cycle following the snoop.

The MPC750 supports a three-state coherency protocol that supports the modified, exclusive, and invalid (MEI) cache states. The protocol is a subset of the MESI (modified/exclusive/shared/invalid) four-state protocol and operates coherently in systems that contain four-state caches. With the exception of the **dcbz** instruction (and the **dcbi**, **dcbst**, and **dcbf** instructions, if HID0[ABE] is enabled), the MPC750 does not broadcast cache control instructions. The cache control instructions are intended for the management of the local cache but not for other caches in the system.

Cache lines in the MPC750 are loaded in four beats of 64 bits each. The burst load is performed as critical double word first. The critical double word is simultaneously written to the cache and forwarded to the requesting unit, thus minimizing stalls due to load delays. If subsequent loads follow in sequential order, the instructions or data will be forwarded to the requesting unit as the cache block is written.

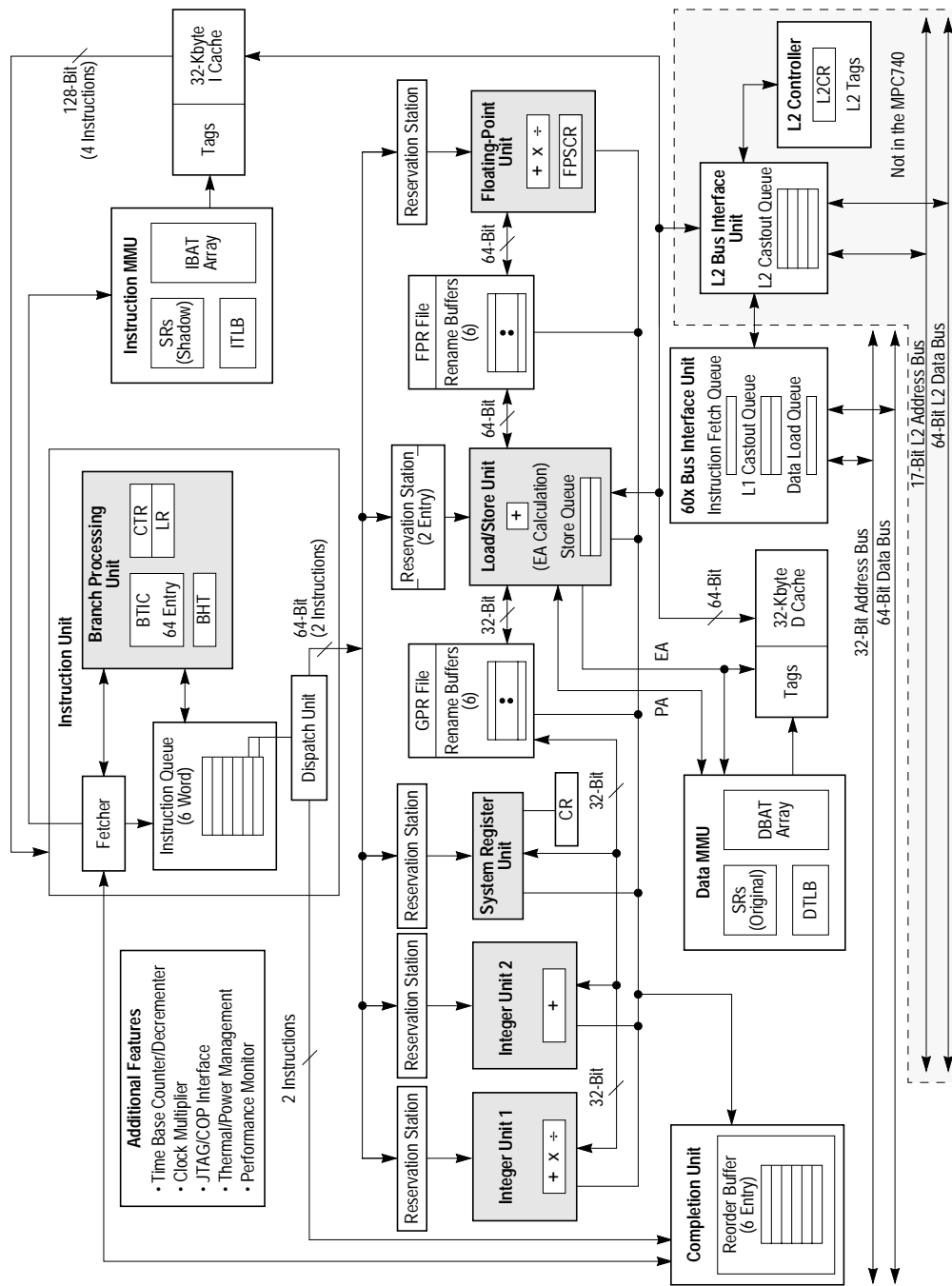


Figure 8-1. MPC750 Microprocessor Block Diagram

Cache lines are selected for replacement based on a pseudo least-recently-used (PLRU) algorithm. Each time a cache line is accessed, it is tagged as the most-recently-used line of the set. When a miss occurs, and all eight lines in the set are marked as valid, the least recently used line is replaced with the new data. When data to be replaced is in the modified state, the modified data is written into a write-back buffer while the missed data is being read from memory. When the load completes, the MPC750 then pushes the replaced line from the write-back buffer to the L2 cache (if enabled), or to main memory in a burst write operation.

### **8.1.2 Operation of the L2 Cache**

The MPC750 provides an on-chip, two-way set associative tag memory, and a dedicated L2 cache port with support for up to 1 Mbyte of external synchronous SRAMs for data storage. The L2 cache normally operates in copy-back mode and supports system cache coherency through snooping. Designers should note that the MPC740 does not implement the on-chip L2 tag memory, or the signals required for the support of the external SRAMs, and memory accesses go directly to the bus interface unit.

The L2 cache receives independent memory access requests from both the L1 instruction and data caches. The L1 accesses are compared to the L2 cache tags and the data or instructions are forwarded from the L2 to the L1 cache if there is a cache hit, or are forwarded on to the bus interface unit if there is an L2 cache miss, or if the address being accessed is from a page marked as caching-inhibited. Burst read accesses that miss in the L2 cache initiate a load operation from the bus interface. As the load operation transfers data to the L1 cache, the data is also loaded into the L2 cache, and marked as valid unmodified in the L2 cache tags. An L1 load, store, or castout operation can cause an L2 cache block allocation resulting in the castout of an L2 cache block marked modified to the bus interface. For additional information about the operation of the L2 cache, refer to Chapter 9, “L2 Cache Interface Operation.”

### **8.1.3 Operation of the System Interface**

Memory accesses can occur in single-beat (1, 2, 3, 4, and 8 bytes) and four-beat (32 bytes) burst data transfers. The address and data buses are independent for memory accesses to support pipelining and split transactions. The MPC750 can pipeline as many as two transactions and has limited support for out-of-order split-bus transactions.

Access to the system interface is granted through an external arbitration mechanism that allows devices to compete for bus mastership. This arbitration mechanism is flexible, allowing the MPC750 to be integrated into systems that implement various fairness and bus-parking procedures to avoid arbitration overhead.

Typically, memory accesses are weakly ordered to maximize the efficiency of the bus without sacrificing coherency of the data. The MPC750 allows load operations to bypass store operations (except when a dependency exists). In addition, the MPC750 can be configured to reorder high-priority store operations ahead of lower-priority store operations. Because the processor can dynamically optimize run-time ordering of load/store traffic, overall performance is improved.

Note that the synchronize (**sync**) and enforce in-order execution of IO (**eiio**) instructions can be used to enforce strong ordering.



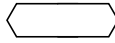

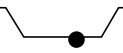
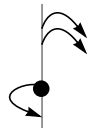

The following sections describe how the MPC750 interface operates, providing detailed timing diagrams that illustrate how the signals interact. A collection of more general timing diagrams are included as examples of typical bus operations.

Figure 8-2 is a legend of the conventions used in the timing diagrams.

This is a synchronous interface—all MPC750 input signals are sampled and output signals are driven on the rising edge of the bus clock cycle (see the MPC750 hardware specifications for exact timing information).

#### **8.1.4 Direct-Store Accesses**

The MPC750 does not support the extended transfer protocol for accesses to the direct-store storage space. The transfer protocol used for any given access is selected by the T bit in the MMU segment registers; if the T bit is set, the memory access is a direct-store access. An attempt to access instructions or data in a direct-store segment will result in the MPC750 taking an ISI or DSI exception.

	Bar over signal name indicates active low
ap0	MPC750 input (while MPC750 is a bus master)
$\overline{BR}$	MPC750 output (while MPC750 is a bus master)
ADDR+	MPC750 output (grouped: here, address plus attributes)
$\overline{qual BG}$	MPC750 internal signal (inaccessible to the user, but used in diagrams to clarify operations)
	Compelling dependency—event will occur on the next clock cycle
	Prerequisite dependency—event will occur on an undetermined subsequent clock cycle
	MPC750 three-state output or input
	MPC750 nonsampled input
	Signal with sample point
	A sampled condition (dot on high or low state) with multiple dependencies
	Timing for a signal had it been asserted (it is not actually asserted)

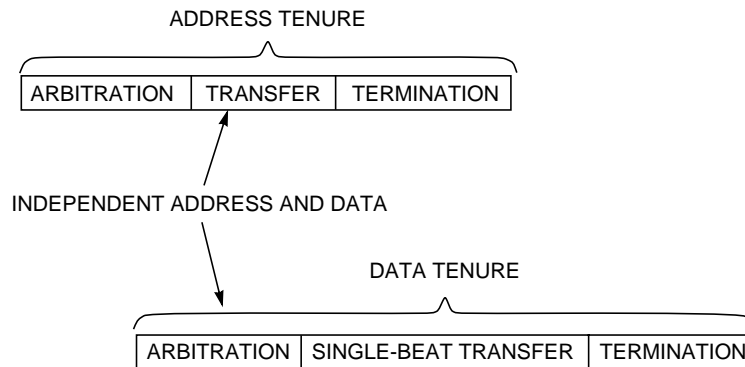
**Figure 8-2. Timing Diagram Legend**

## 8.2 Memory Access Protocol

Memory accesses are divided into address and data tenures. Each tenure has three phases—bus arbitration, transfer, and termination. The MPC750 also supports address-only transactions. Note that address and data tenures can overlap, as shown in Figure 8-3.

Figure 8-3 shows that the address and data tenures are distinct from one another and that both consist of three phases—arbitration, transfer, and termination. Address and data tenures are independent (indicated in Figure 8-3 by the fact that the data tenure begins before the address tenure ends), which allows split-bus transactions to be implemented at the system level in multiprocessor systems. Figure 8-3 shows a data transfer that consists of a single-beat transfer of as many as 64 bits. Four-beat burst transfers of 32-byte cache lines require data transfer termination signals for each beat of data.





**Figure 8-3. Overlapping Tenures on the MPC750 Bus for a Single-Beat Transfer**

The basic functions of the address and data tenures are as follows:

- Address tenure
  - Arbitration: During arbitration, address bus arbitration signals are used to gain mastership of the address bus.
  - Transfer: After the MPC750 is the address bus master, it transfers the address on the address bus. The address signals and the transfer attribute signals control the address transfer. The address parity and address parity error signals ensure the integrity of the address transfer.
  - Termination: After the address transfer, the system signals that the address tenure is complete or that it must be repeated.
- Data tenure
  - Arbitration: To begin the data tenure, the MPC750 arbitrates for mastership of the data bus.
  - Transfer: After the MPC750 is the data bus master, it samples the data bus for read operations or drives the data bus for write operations. The data parity and data parity error signals ensure the integrity of the data transfer.
  - Termination: Data termination signals are required after each data beat in a data transfer. Note that in a single-beat transaction, the data termination signals also indicate the end of the tenure, while in burst accesses, the data termination signals apply to individual beats and indicate the end of the tenure only after the final data beat.

The MPC750 generates an address-only bus transfer during the execution of the **dcbz** instruction (and for the **dcbi**, **dcbf**, **dcbst**, **sync**, and **eiemo** instructions, if **HID0[ABE]** is enabled), which uses only the address bus with no data transfer involved. Additionally, the MPC750's retry capability provides an efficient snooping protocol for systems with multiple memory systems (including caches) that must remain coherent.

## 8.2.1 Arbitration Signals

Arbitration for both address and data bus mastership is performed by a central, external arbiter and, minimally, by the arbitration signals shown in Section 7.2.1, “Address Bus Arbitration Signals.” Most arbiter implementations require additional signals to coordinate bus master/slave/snooping activities. Note that address bus busy ( $\overline{ABB}$ ) and data bus busy ( $\overline{DBB}$ ) are bidirectional signals. These signals are inputs unless the MPC750 has mastership of one or both of the respective buses; they must be connected high through pull-up resistors so that they remain negated when no devices have control of the buses.

The following list describes the address arbitration signals:

- **$\overline{BR}$  (bus request)**—Assertion indicates that the MPC750 is requesting mastership of the address bus.
- **$\overline{BG}$  (bus grant)**—Assertion indicates that the MPC750 may, with the proper qualification, assume mastership of the address bus. A qualified bus grant occurs when  $\overline{BG}$  is asserted and  $\overline{ABB}$  and  $\overline{ARTRY}$  are negated.  
If the MPC750 is parked,  $\overline{BR}$  need not be asserted for the qualified bus grant.
- **$\overline{ABB}$  (address bus busy)**—Assertion by the MPC750 indicates that the MPC750 is the address bus master.

The following list describes the data arbitration signals:

- **$\overline{DBG}$  (data bus grant)**—Indicates that the MPC750 may, with the proper qualification, assume mastership of the data bus. A qualified data bus grant occurs when  $\overline{DBG}$  is asserted while  $\overline{DBB}$ ,  $\overline{DRTRY}$ , and  $\overline{ARTRY}$  are negated.  
The  $\overline{DBB}$  signal is driven by the current bus master,  $\overline{DRTRY}$  is only driven from the bus, and  $\overline{ARTRY}$  is from the bus, but only for the address bus tenure associated with the current data bus tenure (that is, not from another address tenure).
- **$\overline{DBWO}$  (data bus write only)**—Assertion indicates that the MPC750 may perform the data bus tenure for an outstanding write address even if a read address is pipelined before the write address. If  $\overline{DBWO}$  is asserted, the MPC750 will assume data bus mastership for a pending data bus write operation; the MPC750 will take the data bus for a pending read operation if this input is asserted along with  $\overline{DBG}$  and no write is pending. Care must be taken with  $\overline{DBWO}$  to ensure the desired write is queued (for example, a cache-line snoop push-out operation).
- **$\overline{DBB}$  (data bus busy)**—Assertion by the MPC750 indicates that the MPC750 is the data bus master. The MPC750 always assumes data bus mastership if it needs the data bus and is given a qualified data bus grant (see  $\overline{DBG}$ ).

For more detailed information on the arbitration signals, refer to Section 7.2.1, “Address Bus Arbitration Signals,” and Section 7.2.6, “Data Bus Arbitration Signals.”

### 8.2.2 Address Pipelining and Split-Bus Transactions

The MPC750 protocol provides independent address and data bus capability to support pipelined and split-bus transaction system organizations. Address pipelining allows the address tenure of a new bus transaction to begin before the data tenure of the current transaction has finished. Split-bus transaction capability allows other bus activity to occur (either from the same master or from different masters) between the address and data tenures of a transaction.

While this capability does not inherently reduce memory latency, support for address pipelining and split-bus transactions can greatly improve effective bus/memory throughput. For this reason, these techniques are most effective in shared-memory multimaster implementations where bus bandwidth is an important measurement of system performance.

External arbitration is required in systems in which multiple devices must compete for the system bus. The design of the external arbiter affects pipelining by regulating address bus grant ( $\overline{BG}$ ), data bus grant ( $\overline{DBG}$ ), and address acknowledge ( $\overline{AACK}$ ) signals. For example, a one-level pipeline is enabled by asserting  $\overline{AACK}$  to the current address bus master and granting mastership of the address bus to the next requesting master before the current data bus tenure has completed. Two address tenures can occur before the current data bus tenure completes.

The MPC750 can pipeline its own transactions to a depth of one level (intraprocessor pipelining); however, the MPC750 bus protocol does not constrain the maximum number of levels of pipelining that can occur on the bus between multiple masters (interprocessor pipelining). The external arbiter must control the pipeline depth and synchronization between masters and slaves.

In a pipelined implementation, data bus tenures are kept in strict order with respect to address tenures. However, external hardware can further decouple the address and data buses, allowing the data tenures to occur out of order with respect to the address tenures. This requires some form of system tag to associate the out-of-order data transaction with the proper originating address transaction (not defined for the MPC750 interface). Individual bus requests and data bus grants from each processor can be used by the system to implement tags to support interprocessor, out-of-order transactions.

The MPC750 supports a limited intraprocessor out-of-order, split-transaction capability via the data bus write only ( $\overline{DBWO}$ ) signal. For more information about using  $\overline{DBWO}$ , see Section 8.10, "Using Data Bus Write Only."

## 8.3 Address Bus Tenure

This section describes the three phases of the address tenure—address bus arbitration, address transfer, and address termination.

### 8.3.1 Address Bus Arbitration

When the MPC750 needs access to the external bus and it is not parked ( $\overline{BG}$  is negated), it asserts bus request ( $\overline{BR}$ ) until it is granted mastership of the bus and the bus is available (see Figure 8-4). The external arbiter must grant master-elect status to the potential master by asserting the bus grant ( $\overline{BG}$ ) signal. The MPC750 requesting the bus determines that the bus is available when the  $\overline{ABB}$  input is negated. When the address bus is not busy ( $\overline{ABB}$  input is negated),  $\overline{BG}$  is asserted and the address retry ( $\overline{ARTRY}$ ) input is negated. This is referred to as a qualified bus grant. The potential master assumes address bus mastership by asserting  $\overline{ABB}$  when it receives a qualified bus grant.

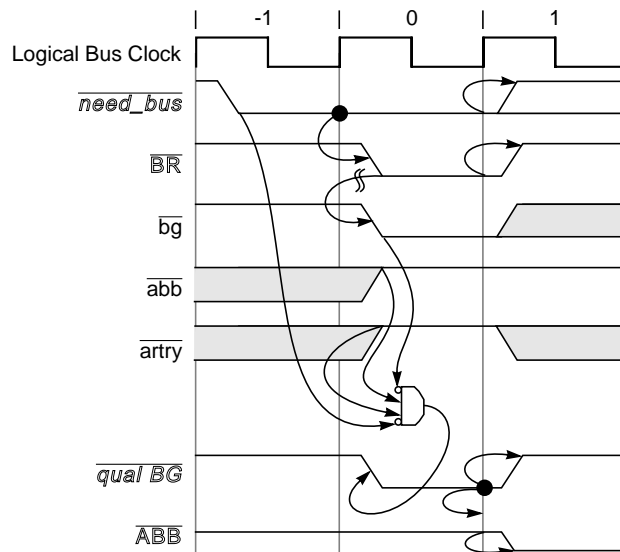
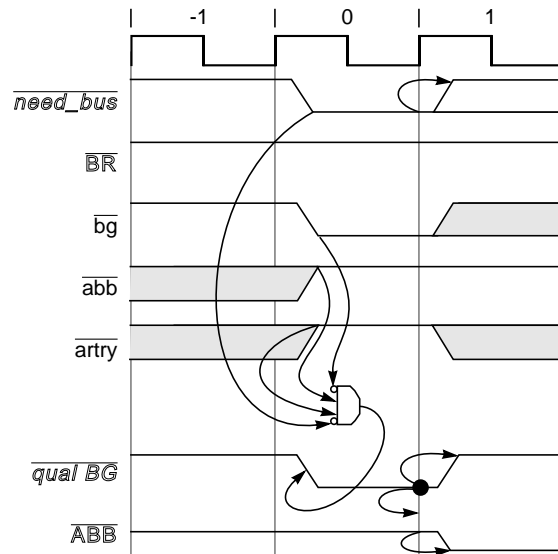


Figure 8-4. Address Bus Arbitration

External arbiters must allow only one device at a time to be the address bus master. Implementations in which no other device can be a master,  $\overline{BG}$  can be grounded (always asserted) to continually grant mastership of the address bus to the MPC750.

If the MPC750 asserts  $\overline{BR}$  before the external arbiter asserts  $\overline{BG}$ , the MPC750 is considered to be unparked, as shown in Figure 8-4. Figure 8-5 shows the parked case, where a qualified bus grant exists on the clock edge following a  $\overline{need\_bus}$  condition. Notice that the bus cycle required for arbitration is eliminated if the MPC750 is parked, reducing overall memory latency for a transaction. The MPC750 always negates  $\overline{ABB}$  for at least one bus clock cycle after  $\overline{AACK}$  is asserted, even if it is parked and has another transaction pending.

Typically, bus parking is provided to the device that was the most recent bus master; however, system designers may choose other schemes such as providing unrequested bus grants in situations where it is easy to correctly predict the next device requesting bus mastership.



**Figure 8-5. Address Bus Arbitration Showing Bus Parking**

When the MPC750 receives a qualified bus grant, it assumes address bus mastership by asserting  $\overline{ABB}$  and negating the  $\overline{BR}$  output signal. Meanwhile, the MPC750 drives the address for the requested access onto the address bus and asserts  $\overline{TS}$  to indicate the start of a new transaction.

When designing external bus arbitration logic, note that the MPC750 may assert  $\overline{BR}$  without using the bus after it receives the qualified bus grant. For example, in a system using bus snooping, if the MPC750 asserts  $\overline{BR}$  to perform a replacement copy-back operation, another device can invalidate that line before the MPC750 is granted mastership of the bus. Once the MPC750 is granted the bus, it no longer needs to perform the copy-back operation; therefore, the MPC750 does not assert  $\overline{ABB}$  and does not use the bus for the copy-back operation. Note that the MPC750 asserts  $\overline{BR}$  for at least one clock cycle in these instances.

System designers should note that it is possible to ignore the  $\overline{ABB}$  signal, and regenerate the state of  $\overline{ABB}$  locally within each device by monitoring the  $\overline{TS}$  and  $\overline{ACK}$  input signals. The MPC750 allows this operation by using both the  $\overline{ABB}$  input signal and a locally regenerated version of  $\overline{ABB}$  to determine if a qualified bus grant state exists (both sources are internally ORed together). The  $\overline{ABB}$  signal may only be ignored if  $\overline{ABB}$  and  $\overline{TS}$  are asserted simultaneously by all masters, or where arbitration (through assertion of  $\overline{BG}$ ) is

properly managed in cases where the regenerated  $\overline{ABB}$  may not properly track the  $\overline{ABB}$  signal on the bus. If the MPC750's  $\overline{ABB}$  signal is ignored by the system, it must be connected to a pull-up resistor to ensure proper operation. Additionally, the MPC750 will not qualify a bus grant during the cycle that  $\overline{TS}$  is asserted on the bus by any master. Address bus arbitration without the use of the  $\overline{ABB}$  signal requires that every assertion of  $\overline{TS}$  be acknowledged by an assertion of  $\overline{ACK}$  while the processor is not in sleep mode.

### 8.3.2 Address Transfer

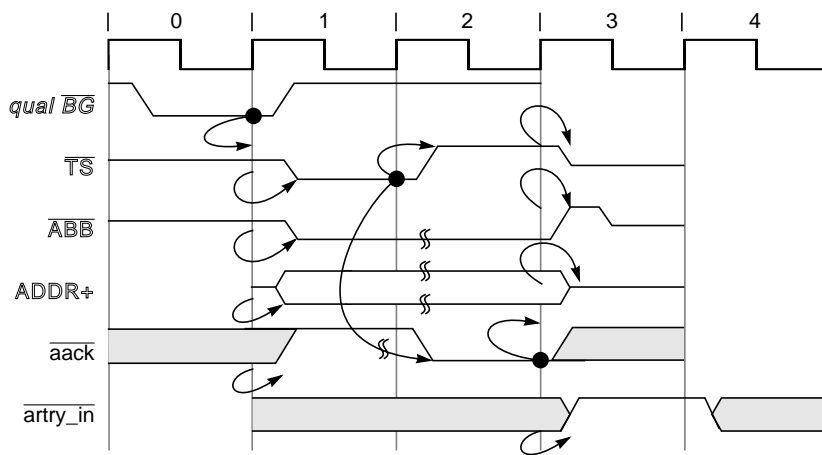
During the address transfer, the physical address and all attributes of the transaction are transferred from the bus master to the slave device(s). Snooping logic may monitor the transfer to enforce cache coherency; see discussion about snooping in Section 8.3.3, "Address Transfer Termination."

The signals used in the address transfer include the following signal groups:

- Address transfer start signal: transfer start ( $\overline{TS}$ )
- Address transfer signals: address bus (A[0–31]), and address parity (AP[0–3])
- Address transfer attribute signals: transfer type (TT[0–4]), transfer size (TSIZ[0–2]), transfer burst ( $\overline{TBST}$ ), cache inhibit ( $\overline{CI}$ ), write-through ( $\overline{WT}$ ), and global ( $\overline{GBL}$ )

Figure 8-6 shows that the timing for all of these signals, except  $\overline{TS}$ , is identical. All of the address transfer and address transfer attribute signals are combined into the ADDR+ grouping in Figure 8-6. The  $\overline{TS}$  signal indicates that the MPC750 has begun an address transfer and that the address and transfer attributes are valid (within the context of a synchronous bus). The MPC750 always asserts  $\overline{TS}$  coincident with  $\overline{ABB}$ . As an input,  $\overline{TS}$  need not coincide with the assertion of  $\overline{ABB}$  on the bus (that is,  $\overline{TS}$  can be asserted with, or on, a subsequent clock cycle after  $\overline{ABB}$  is asserted; the MPC750 tracks this transaction correctly).

In Figure 8-6, the address transfer occurs during bus clock cycles 1 and 2 (arbitration occurs in bus clock cycle 0 and the address transfer is terminated in bus clock 3). In this diagram, the address bus termination input,  $\overline{ACK}$ , is asserted to the MPC750 on the bus clock following assertion of  $\overline{TS}$  (as shown by the dependency line). This is the minimum duration of the address transfer for the MPC750; the duration can be extended by delaying the assertion of  $\overline{ACK}$  for one or more bus clocks.



**Figure 8-6. Address Bus Transfer**

### 8.3.2.1 Address Bus Parity

The MPC750 always generates 1 bit of correct odd-byte parity for each of the 4 bytes of address when a valid address is on the bus. The calculated values are placed on the AP[0–3] outputs when the MPC750 is the address bus master. If the MPC750 is not the master and  $\overline{TS}$  and  $\overline{GBL}$  are asserted together (qualified condition for snooping memory operations), the calculated values are compared with the AP[0–3] inputs. If there is an error, and address parity checking is enabled (HID0[EBA] set to 1), a machine check exception is generated. An address bus parity error causes a checkstop condition if MSR[ME] is cleared to 0. For more information about checkstop conditions, see Chapter 4, “Exceptions.”

### 8.3.2.2 Address Transfer Attribute Signals

The transfer attribute signals include several encoded signals such as the transfer type (TT[0–4]) signals, transfer burst ( $\overline{TBST}$ ) signal, transfer size (TSIZ[0–2]) signals, write-through ( $\overline{WT}$ ), and cache inhibit ( $\overline{CI}$ ). Section 7.2.4, “Address Transfer Attribute Signals,” describes the encodings for the address transfer attribute signals.

#### 8.3.2.2.1 Transfer Type (TT[0–4]) Signals

Snooping logic should fully decode the transfer type signals if the  $\overline{GBL}$  signal is asserted. Slave devices can sometimes use the individual transfer type signals without fully decoding the group. For a complete description of the encoding for TT[0–4], refer to Table 8-1 and Table 8-2.

#### 8.3.2.2.2 Transfer Size (TSIZ[0–2]) Signals

The TSIZ[0–2] signals indicate the size of the requested data transfer as shown in Table 8-1. The TSIZ[0–2] signals may be used along with  $\overline{TBST}$  and A[29–31] to determine which portion of the data bus contains valid data for a write transaction or which portion of the bus should contain valid data for a read transaction. Note that for a burst transaction (as

indicated by the assertion of  $\overline{\text{TBST}}$ ,  $\text{TSIZ}[0-2]$  are always set to 0b010. Therefore, if the  $\overline{\text{TBST}}$  signal is asserted, the memory system should transfer a total of eight words (32 bytes), regardless of the  $\text{TSIZ}[0-2]$  encodings.

**Table 8-1. Transfer Size Signal Encodings**

$\overline{\text{TBST}}$	$\text{TSIZ0}$	$\text{TSIZ1}$	$\text{TSIZ2}$	Transfer Size
Asserted	0	1	0	Eight-word burst
Negated	0	0	0	Eight bytes
Negated	0	0	1	One byte
Negated	0	1	0	Two bytes
Negated	0	1	1	Three bytes
Negated	1	0	0	Four bytes
Negated	1	0	1	Five bytes (N/A)
Negated	1	1	0	Six bytes (N/A)
Negated	1	1	1	Seven bytes (N/A)

The basic coherency size of the bus is defined to be 32 bytes (corresponding to one cache line). Data transfers that cross an aligned, 32-byte boundary either must present a new address onto the bus at that boundary (for coherency consideration) or must operate as noncoherent data with respect to the MPC750. The MPC750 never generates a bus transaction with a transfer size of 5 bytes, 6 bytes, or 7 bytes.

#### 8.3.2.2.3 Write-Through ( $\overline{\text{WT}}$ ) Signal

The MPC750 provides the  $\overline{\text{WT}}$  signal to indicate a write-through operation as determined by the WIM bit settings during address translation by the MMU. The  $\overline{\text{WT}}$  signal is also asserted for burst writes due to the execution of the **dcbf** and **dcbst** instructions, and snoop push operations. The  $\overline{\text{WT}}$  signal is deasserted for accesses caused by the execution of the **ecowx** instruction. During read operations the MPC750 uses the  $\overline{\text{WT}}$  signal to indicate whether the transaction is an instruction fetch ( $\overline{\text{WT}}$  set to 1), or a data read operation ( $\overline{\text{WT}}$  cleared to 0).

#### 8.3.2.2.4 Cache Inhibit ( $\overline{\text{CI}}$ ) Signal

The MPC750 indicates the caching-inhibited status of a transaction (determined by the setting of the WIM bits by the MMU) through the use of the  $\overline{\text{CI}}$  signal. The  $\overline{\text{CI}}$  signal is asserted even if the L1 caches are disabled or locked. This signal is also asserted for bus transactions caused by the execution of **eciwx** and **ecowx** instructions independent of the address translation.



### 8.3.2.3 Burst Ordering During Data Transfers

During burst data transfer operations, 32 bytes of data (one cache line) are transferred to or from the cache in order. Burst write transfers are always performed zero double word first, but since burst reads are performed critical double word first, a burst read transfer may not start with the first double word of the cache line, and the cache line fill may wrap around the end of the cache line.

Table 8-2 describes the data bus burst ordering.

**Table 8-2. Burst Ordering**

Data Transfer	For Starting Address:			
	A[27–28] = 00	A[27–28] = 01	A[27–28] = 10	A[27–28] = 11
First data beat	DW0	DW1	DW2	DW3
Second data beat	DW1	DW2	DW3	DW0
Third data beat	DW2	DW3	DW0	DW1
Fourth data beat	DW3	DW0	DW1	DW2

**Note:** A[29–31] are always 0b000 for burst transfers by the MPC750.

### 8.3.2.4 Effect of Alignment in Data Transfers

Table 8-3 lists the aligned transfers that can occur on the MPC750 bus. These are transfers in which the data is aligned to an address that is an integral multiple of the size of the data. For example, Table 8-3 shows that 1-byte data is always aligned; however, for a 4-byte word to be aligned, it must be oriented on an address that is a multiple of 4.

**Table 8-3. Aligned Data Transfers**

Transfer Size	TSIZ0	TSIZ1	TSIZ2	A[29–31]	Data Bus Byte Lane(s)							
					0	1	2	3	4	5	6	7
Byte	0	0	1	000	√	—	—	—	—	—	—	—
	0	0	1	001	—	√	—	—	—	—	—	—
	0	0	1	010	—	—	√	—	—	—	—	—
	0	0	1	011	—	—	—	√	—	—	—	—
	0	0	1	100	—	—	—	—	√	—	—	—
	0	0	1	101	—	—	—	—	—	√	—	—
	0	0	1	110	—	—	—	—	—	—	√	—
	0	0	1	111	—	—	—	—	—	—	—	√

**Table 8-3. Aligned Data Transfers (Continued)**

Transfer Size	TSIZ0	TSIZ1	TSIZ2	A[29–31]	Data Bus Byte Lane(s)							
					0	1	2	3	4	5	6	7
Half word	0	1	0	000	√	√	—	—	—	—	—	—
	0	1	0	010	—	—	√	√	—	—	—	—
	0	1	0	100	—	—	—	—	√	√	—	—
	0	1	0	110	—	—	—	—	—	—	√	√
Word	1	0	0	000	√	√	√	√	—	—	—	—
	1	0	0	100	—	—	—	—	√	√	√	√
Double word	0	0	0	000	√	√	√	√	√	√	√	√

**Notes:** These entries indicate the byte portions of the requested operand that are read or written during that bus transaction.  
 These entries are not required and are ignored during read transactions and are driven with undefined data during all write transactions.

The MPC750 supports misaligned memory operations, although their use may substantially degrade performance. Misaligned memory transfers address memory that is not aligned to the size of the data being transferred (such as, a word read of an odd byte address). Although most of these operations hit in the primary cache (or generate burst memory operations if they miss), the MPC750 interface supports misaligned transfers within a word (32-bit aligned) boundary, as shown in Table 8-4. Note that the 4-byte transfer in Table 8-4 is only one example of misalignment. As long as the attempted transfer does not cross a word boundary, the MPC750 can transfer the data on the misaligned address (for example, a half-word read from an odd byte-aligned address). An attempt to address data that crosses a word boundary requires two bus transfers to access the data.

Due to the performance degradations associated with misaligned memory operations, they are best avoided. In addition to the double-word straddle boundary condition, the address translation logic can generate substantial exception overhead when the load/store multiple and load/store string instructions access misaligned data. It is strongly recommended that software attempt to align data where possible.

**Table 8-4. Misaligned Data Transfers (Four-Byte Examples)**

Transfer Size (Four Bytes)	TSIZ[0–2]	A[29–31]	Data Bus Byte Lanes							
			0	1	2	3	4	5	6	7
Aligned	1 0 0	0 0 0	A	A	A	A	—	—	—	—
Misaligned—first access second access	0 1 1	0 0 1		A	A	A	—	—	—	—
	0 0 1	1 0 0	—	—	—	—	A	—	—	—
Misaligned—first access second access	0 1 0	0 1 0	—	—	A	A	—	—	—	—
	0 1 1	1 0 0	—	—	—	—	A	A	—	—
Misaligned—first access second access	0 0 1	0 1 1	—	—	—	A	—	—	—	—
	0 1 1	1 0 0	—	—	—	—	A	A	A	—
Aligned	1 0 0	1 0 0	—	—	—	—	A	A	A	A
Misaligned—first access second access	0 1 1	1 0 1	—	—	—	—	—	A	A	A
	0 0 1	0 0 0	A	—	—	—	—	—	—	—
Misaligned—first access second access	0 1 0	1 1 0	—	—	—	—	—	—	A	A
	0 1 0	0 0 0	A	A	—	—	—	—	—	—
Misaligned—first access second access	0 0 1	1 1 1	—	—	—	—	—	—	—	A
	0 1 1	0 0 0	A	A	A	—	—	—	—	—

**Notes:**

- A: Byte lane used
- : Byte lane not used

### 8.3.2.4.1 Alignment of External Control Instructions

The size of the data transfer associated with the **eciwx** and **ecowx** instructions is always 4 bytes. If the **eciwx** or **ecowx** instruction is misaligned and crosses any word boundary, the MPC750 will generate an alignment exception.

### 8.3.3 Address Transfer Termination

The address tenure of a bus operation is terminated when completed with the assertion of  $\overline{\text{AACK}}$ , or retried with the assertion of  $\overline{\text{ARTRY}}$ . The MPC750 does not terminate the address transfer until the  $\overline{\text{AACK}}$  (address acknowledge) input is asserted; therefore, the system can extend the address transfer phase by delaying the assertion of  $\overline{\text{AACK}}$  to the MPC750. The assertion of  $\overline{\text{AACK}}$  can be as early as the bus clock cycle following  $\overline{\text{TS}}$  (see Figure 8-7), which allows a minimum address tenure of two bus cycles. As shown in Figure 8-7, these signals are asserted for one bus clock cycle, three-stated for half of the next bus clock cycle, driven high till the following bus cycle, and finally three-stated. Note that  $\overline{\text{AACK}}$  must be asserted for only one bus clock cycle.

The address transfer can be terminated with the requirement to retry if  $\overline{\text{ARTRY}}$  is asserted anytime during the address tenure and through the cycle following  $\overline{\text{AACK}}$ . The assertion causes the entire transaction (address and data tenure) to be rerun. As a snooping device, the MPC750 asserts  $\overline{\text{ARTRY}}$  for a snooped transaction that hits modified data in the data cache that must be written back to memory, or if the snooped transaction could not be serviced. As a bus master, the MPC750 responds to an assertion of  $\overline{\text{ARTRY}}$  by aborting the bus transaction and re-requesting the bus. Note that after recognizing an assertion of  $\overline{\text{ARTRY}}$  and aborting the transaction in progress, the MPC750 is not guaranteed to run the same transaction the next time it is granted the bus due to internal reordering of load and store operations.

If an address retry is required, the  $\overline{\text{ARTRY}}$  response will be asserted by a bus snooping device as early as the second cycle after the assertion of  $\overline{\text{TS}}$ . Once asserted,  $\overline{\text{ARTRY}}$  must remain asserted through the cycle after the assertion of  $\overline{\text{AACK}}$ . The assertion of  $\overline{\text{ARTRY}}$  during the cycle after the assertion of  $\overline{\text{AACK}}$  is referred to as a qualified  $\overline{\text{ARTRY}}$ . An earlier assertion of  $\overline{\text{ARTRY}}$  during the address tenure is referred to as an early  $\overline{\text{ARTRY}}$ .

As a bus master, the MPC750 recognizes either an early or qualified  $\overline{\text{ARTRY}}$  and prevents the data tenure associated with the retried address tenure. If the data tenure has already begun, the MPC750 aborts and terminates the data tenure immediately even if the burst data has been received. If the assertion of  $\overline{\text{ARTRY}}$  is received up to or on the bus cycle following the first (or only) assertion of  $\overline{\text{TA}}$  for the data tenure, the MPC750 ignores the first data beat, and if it is a load operation, does not forward data internally to the cache and execution units. If  $\overline{\text{ARTRY}}$  is asserted after the first (or only) assertion of  $\overline{\text{TA}}$ , improper operation of the bus interface may result.

During the clock of a qualified  $\overline{\text{ARTRY}}$ , the MPC750 also determines if it should negate  $\overline{\text{BR}}$  and ignore  $\overline{\text{BG}}$  on the following cycle. On the following cycle, only the snooping master that asserted  $\overline{\text{ARTRY}}$  and needs to perform a snoop copy-back operation is allowed to assert  $\overline{\text{BR}}$ . This guarantees the snooping master an opportunity to request and be granted the bus before the just-retried master can restart its transaction. Note that a nonclocked bus arbiter may detect the assertion of address bus request by the bus master that asserted  $\overline{\text{ARTRY}}$ , and return a qualified bus grant one cycle earlier than shown in Figure 8-7.

Note that if the MPC750 asserts  $\overline{\text{ARTRY}}$  due to a snoop operation, and asserts  $\overline{\text{BR}}$  in the bus cycle following  $\overline{\text{ARTRY}}$  in order to perform a snoop push to memory it may be several bus cycles later before the MPC750 will be able to accept a  $\overline{\text{BG}}$ . (The delay in responding to the assertion of  $\overline{\text{BG}}$  only occurs during snoop pushes from the L2 cache.) The bus arbiter should keep  $\overline{\text{BG}}$  asserted until it detects  $\overline{\text{BR}}$  negated or  $\overline{\text{TS}}$  asserted from the MPC750 indicating that the snoop copy-back has begun. The system should ensure that no other address tenures occur until the current snoop push from the MPC750 is completed. Snoop push delays can also be avoided by operating the L2 cache in write-through mode so no snoop pushes are required by the L2 cache.

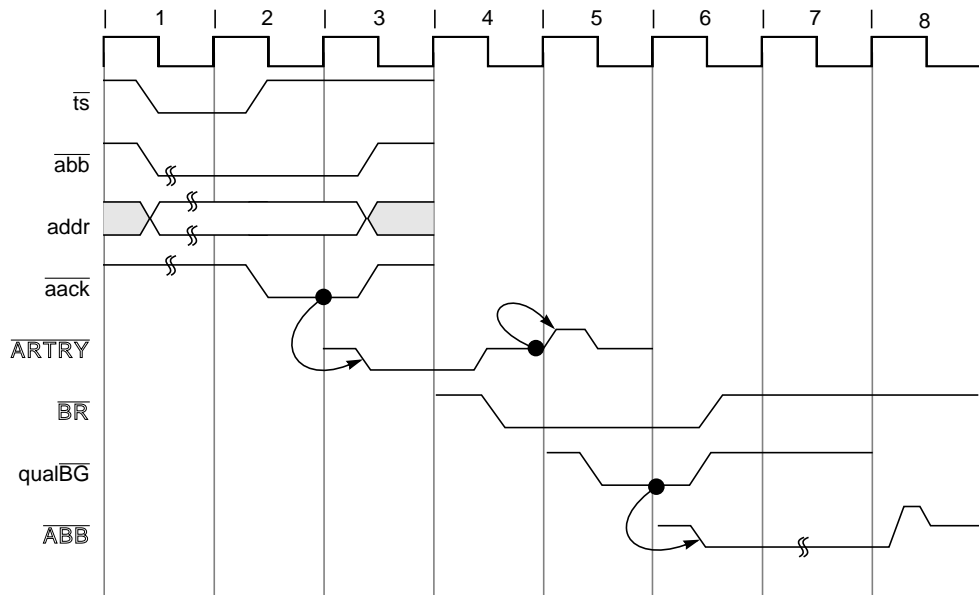


Figure 8-7. Snoop Address Cycle with  $\overline{\text{ARTRY}}$

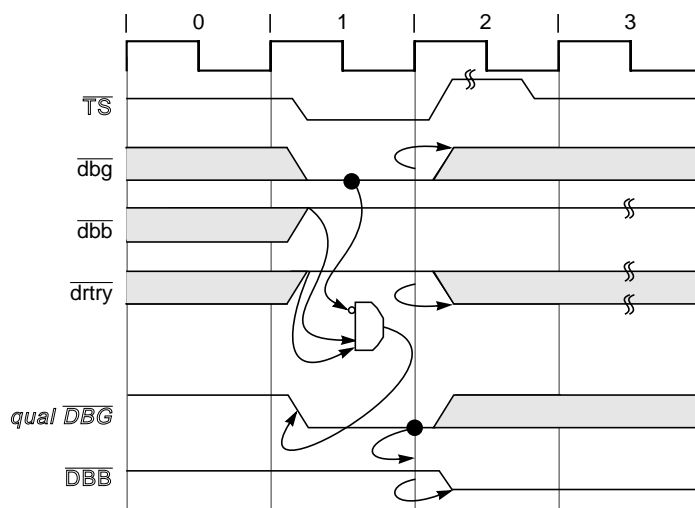
## 8.4 Data Bus Tenure

This section describes the data bus arbitration, transfer, and termination phases defined by the MPC750 memory access protocol. The phases of the data tenure are identical to those of the address tenure, underscoring the symmetry in the control of the two buses.

### 8.4.1 Data Bus Arbitration

Data bus arbitration uses the data arbitration signal group— $\overline{\text{DBG}}$ ,  $\overline{\text{DBWO}}$ , and  $\overline{\text{DBB}}$ . Additionally, the combination of  $\overline{\text{TS}}$  and  $\text{TT}[0-4]$  provides information about the data bus request to external logic.

The  $\overline{\text{TS}}$  signal is an implied data bus request from the MPC750; the arbiter must qualify  $\overline{\text{TS}}$  with the transfer type ( $\text{TT}$ ) encodings to determine if the current address transfer is an address-only operation, which does not require a data bus transfer (see Figure 8-7). If the data bus is needed, the arbiter grants data bus mastership by asserting the  $\overline{\text{DBG}}$  input to the MPC750. As with the address bus arbitration phase, the MPC750 must qualify the  $\overline{\text{DBG}}$  input with a number of input signals before assuming bus mastership, as shown in Figure 8-8.



**Figure 8-8. Data Bus Arbitration**

A qualified data bus grant can be expressed as the following:

$QDBG = \overline{DBG}$  asserted while  $\overline{DBB}$ ,  $\overline{DRTRY}$ , and  $\overline{ARTRY}$  (associated with the data bus operation) are negated.

When a data tenure overlaps with its associated address tenure, a qualified  $\overline{ARTRY}$  assertion coincident with a data bus grant signal does not result in data bus mastership ( $\overline{DBB}$  is not asserted). Otherwise, the MPC750 always asserts  $\overline{DBB}$  on the bus clock cycle after recognition of a qualified data bus grant. Since the MPC750 can pipeline transactions, there may be an outstanding data bus transaction when a new address transaction is retried. In this case, the MPC750 becomes the data bus master to complete the previous transaction.

#### 8.4.1.1 Using the $\overline{DBB}$ Signal

The  $\overline{DBB}$  signal should be connected between masters if data tenure scheduling is left to the masters. Optionally, the memory system can control data tenure scheduling directly with  $\overline{DBG}$ . However, it is possible to ignore the  $\overline{DBB}$  signal in the system if the  $\overline{DBB}$  input is not used as the final data bus allocation control between data bus masters, and if the memory system can track the start and end of the data tenure. If  $\overline{DBB}$  is not used to signal the end of a data tenure,  $\overline{DBG}$  is only asserted to the next bus master the cycle before the cycle that the next bus master may actually begin its data tenure, rather than asserting it earlier (usually during another master's data tenure) and allowing the negation of  $\overline{DBB}$  to be the final gating signal for a qualified data bus grant. Even if  $\overline{DBB}$  is ignored in the system, the MPC750 always recognizes its own assertion of  $\overline{DBB}$ , and requires one cycle after data tenure completion to negate its own  $\overline{DBB}$  before recognizing a qualified data bus grant for another data tenure. If  $\overline{DBB}$  is ignored in the system, it must still be connected to a pull-up resistor on the MPC750 to ensure proper operation.

### 8.4.2 Data Bus Write Only

As a result of address pipelining, the MPC750 may have up to two data tenures queued to perform when it receives a qualified  $\overline{DBG}$ . Generally, the data tenures should be performed in strict order (the same order) as their address tenures were performed. The MPC750, however, also supports a limited out-of-order capability with the data bus write only ( $\overline{DBWO}$ ) input. When recognized on the clock of a qualified  $\overline{DBG}$ ,  $\overline{DBWO}$  may direct the MPC750 to perform the next pending data write tenure even if a pending read tenure would have normally been performed first. For more information on the operation of  $\overline{DBWO}$ , refer to Section 8.10, “Using Data Bus Write Only.”

If the MPC750 has any data tenures to perform, it always accepts data bus mastership to perform a data tenure when it recognizes a qualified  $\overline{DBG}$ . If  $\overline{DBWO}$  is asserted with a qualified  $\overline{DBG}$  and no write tenure is queued to run, the MPC750 still takes mastership of the data bus to perform the next pending read data tenure.

Generally,  $\overline{DBWO}$  should only be used to allow a copy-back operation (burst write) to occur before a pending read operation. If  $\overline{DBWO}$  is used for single-beat write operations, it may negate the effect of the **eiio** instruction by allowing a write operation to precede a program-scheduled read operation.

### 8.4.3 Data Transfer

The data transfer signals include DH[0–31], DL[0–31], and DP[0–7]. For memory accesses, the DH and DL signals form a 64-bit data path for read and write operations.

The MPC750 transfers data in either single- or four-beat burst transfers. Single-beat operations can transfer from 1 to 8 bytes at a time and can be misaligned; see Section 8.3.2.4, “Effect of Alignment in Data Transfers.” Burst operations always transfer eight words and are aligned on eight-word address boundaries. Burst transfers can achieve significantly higher bus throughput than single-beat operations.

The type of transaction initiated by the MPC750 depends on whether the code or data is cacheable and, for store operations whether the cache is in write-back or write-through mode, which software controls on either a page or block basis. Burst transfers support cacheable operations only; that is, memory structures must be marked as cacheable (and write-back for data store operations) in the respective page or block descriptor to take advantage of burst transfers.

The MPC750 output  $\overline{TBST}$  indicates to the system whether the current transaction is a single- or four-beat transfer (except during **eciwx/ecowx** transactions, when it signals the state of EAR[28]). A burst transfer has an assumed address order. For load or store operations that miss in the cache (and are marked as cacheable and, for stores, write-back in the MMU), the MPC750 uses the double-word-aligned address associated with the critical code or data that initiated the transaction. This minimizes latency by allowing the critical code or data to be forwarded to the processor before the rest of the cache line is

filled. For all other burst operations, however, the cache line is transferred beginning with the eight-word-aligned data.

#### 8.4.4 Data Transfer Termination

Four signals are used to terminate data bus transactions— $\overline{TA}$ ,  $\overline{DRTRY}$  (data retry),  $\overline{TEA}$  (transfer error acknowledge), and  $\overline{ARTRY}$ . The  $\overline{TA}$  signal indicates normal termination of data transactions. It must always be asserted on the bus cycle coincident with the data that it is qualifying. It may be withheld by the slave for any number of clocks until valid data is ready to be supplied or accepted.  $\overline{DRTRY}$  indicates invalid read data in the previous bus clock cycle.  $\overline{DRTRY}$  extends the current data beat and does not terminate it. If it is asserted after the last (or only) data beat, the MPC750 negates  $\overline{DBB}$  but still considers the data beat active and waits for another assertion of  $\overline{TA}$ .  $\overline{DRTRY}$  is ignored on write operations.  $\overline{TEA}$  indicates a nonrecoverable bus error event. Upon receiving a final (or only) termination condition, the MPC750 always negates  $\overline{DBB}$  for one cycle.

If  $\overline{DRTRY}$  is asserted by the memory system to extend the last (or only) data beat past the negation of  $\overline{DBB}$ , the memory system should three-state the data bus on the clock after the final assertion of  $\overline{TA}$ , even though it will negate  $\overline{DRTRY}$  on that clock. This is to prevent a potential momentary data bus conflict if a write access begins on the following cycle.

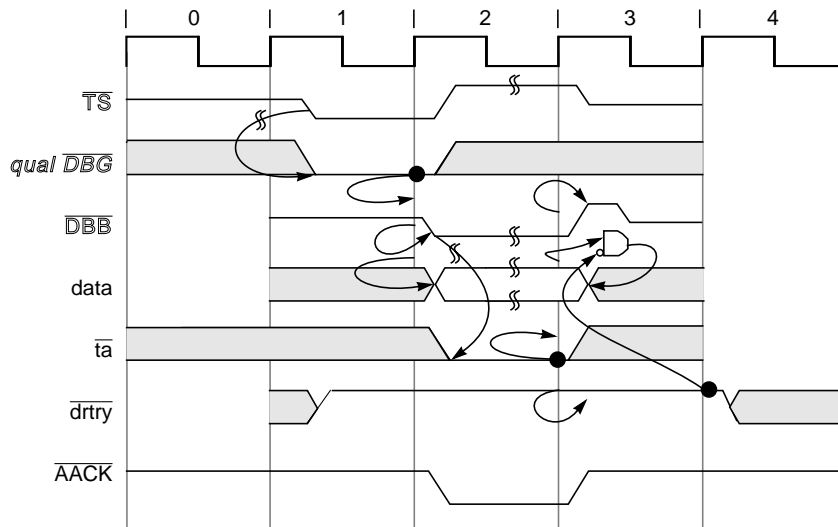
The  $\overline{TEA}$  signal is used to signal a nonrecoverable error during the data transaction. It may be asserted on any cycle during  $\overline{DBB}$ , or on the cycle after a qualified  $\overline{TA}$  during a read operation, except when no- $\overline{DRTRY}$  mode is selected (where no- $\overline{DRTRY}$  mode cancels checking the cycle after  $\overline{TA}$ ). The assertion of  $\overline{TEA}$  terminates the data tenure immediately even if in the middle of a burst; however, it does not prevent incorrect data that has just been acknowledged with  $\overline{TA}$  from being written into the MPC750's cache or GPRs. The assertion of  $\overline{TEA}$  initiates either a machine check exception or a checkstop condition based on the setting of the MSR[ME] bit.

An assertion of  $\overline{ARTRY}$  causes the data tenure to be terminated immediately if the  $\overline{ARTRY}$  is for the address tenure associated with the data tenure in operation. If  $\overline{ARTRY}$  is connected for the MPC750, the earliest allowable assertion of  $\overline{TA}$  to the MPC750 is directly dependent on the earliest possible assertion of  $\overline{ARTRY}$  to the MPC750; see Section 8.3.3, "Address Transfer Termination."

##### 8.4.4.1 Normal Single-Beat Termination

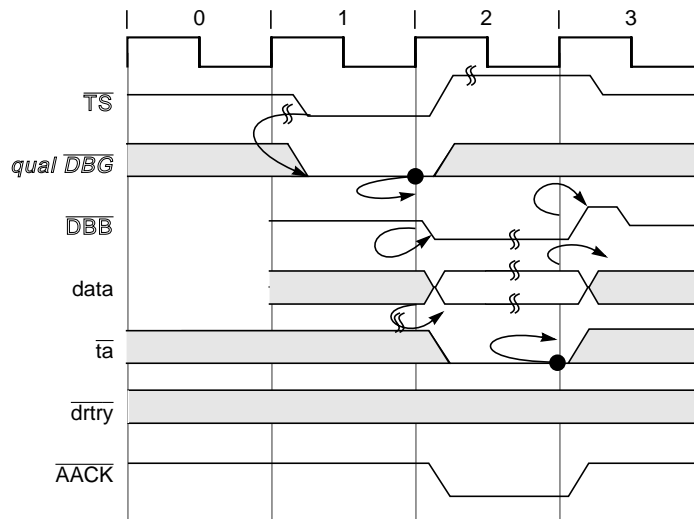
Normal termination of a single-beat data read operation occurs when  $\overline{TA}$  is asserted by a responding slave. The  $\overline{TEA}$  and  $\overline{DRTRY}$  signals must remain negated during the transfer (see Figure 8-9).





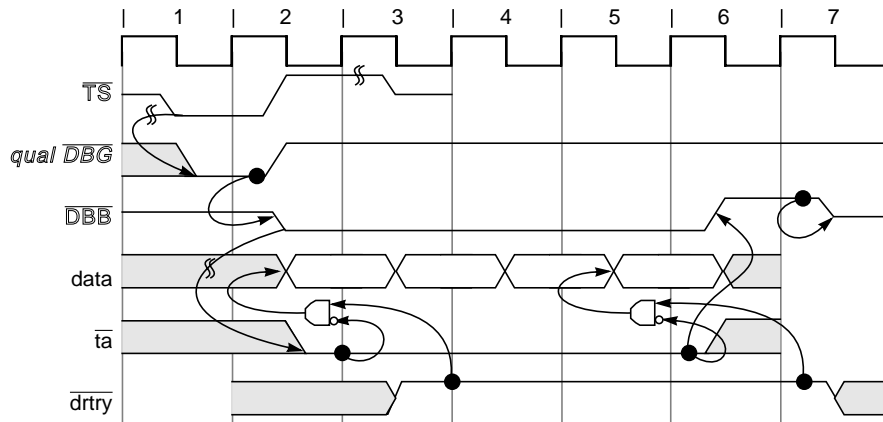
**Figure 8-9. Normal Single-Beat Read Termination**

The  $\overline{DRTRY}$  signal is not sampled during data writes, as shown in Figure 8-10.



**Figure 8-10. Normal Single-Beat Write Termination**

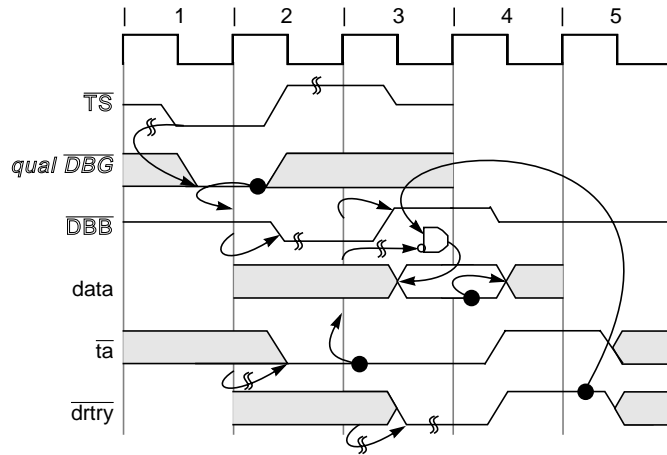
Normal termination of a burst transfer occurs when  $\overline{\text{TA}}$  is asserted for four bus clock cycles, as shown in Figure 8-11. The bus clock cycles in which  $\overline{\text{TA}}$  is asserted need not be consecutive, thus allowing pacing of the data transfer beats. For read bursts to terminate successfully,  $\overline{\text{TEA}}$  and  $\overline{\text{DRTRY}}$  must remain negated during the transfer. For write bursts,  $\overline{\text{TEA}}$  must remain negated for a successful transfer.  $\overline{\text{DRTRY}}$  is ignored during data writes.



**Figure 8-11. Normal Burst Transaction**

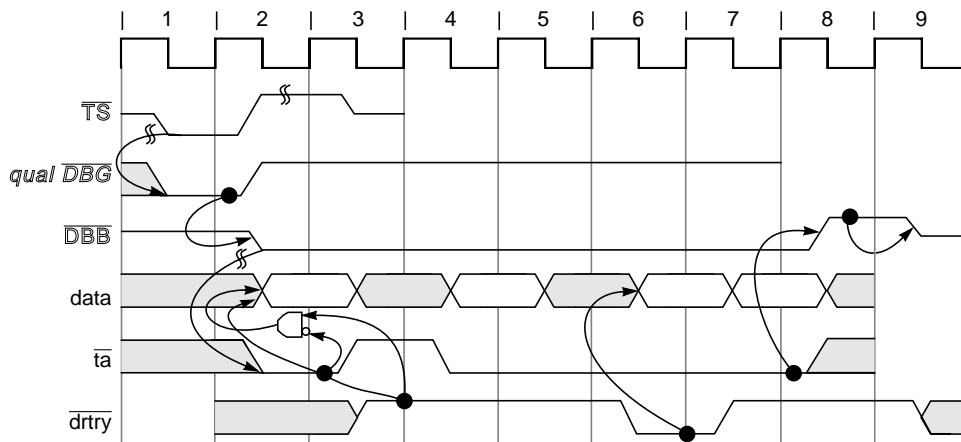
For read bursts,  $\overline{\text{DRTRY}}$  may be asserted one bus clock cycle after  $\overline{\text{TA}}$  is asserted to signal that the data presented with  $\overline{\text{TA}}$  is invalid and that the processor must wait for the negation of  $\overline{\text{DRTRY}}$  before forwarding data to the processor (see Figure 8-12). Thus, a data beat can be terminated by a predicted branch with  $\overline{\text{TA}}$  and then one bus clock cycle later confirmed with the negation of  $\overline{\text{DRTRY}}$ . The  $\overline{\text{DRTRY}}$  signal is valid only for read transactions.  $\overline{\text{TA}}$  must be asserted on the bus clock cycle before the first bus clock cycle of the assertion of  $\overline{\text{DRTRY}}$ ; otherwise the results are undefined.

The  $\overline{\text{DRTRY}}$  signal extends data bus mastership such that other processors cannot use the data bus until  $\overline{\text{DRTRY}}$  is negated. Therefore, in the example in Figure 8-12,  $\overline{\text{DBB}}$  cannot be asserted until bus clock cycle 6. This is true for both read and write operations even though  $\overline{\text{DRTRY}}$  does not extend bus mastership for write operations.



**Figure 8-12. Termination with  $\overline{DRTRY}$**

Figure 8-13 shows the effect of using  $\overline{DRTRY}$  during a burst read. It also shows the effect of using  $\overline{TA}$  to pace the data transfer rate. Notice that in bus clock cycle 3 of Figure 8-13,  $\overline{TA}$  is negated for the second data beat. The MPC750 data pipeline does not proceed until bus clock cycle 4 when the  $\overline{TA}$  is reasserted.



**Figure 8-13. Read Burst with  $\overline{TA}$  Wait States and  $\overline{DRTRY}$**

Note that  $\overline{DRTRY}$  is useful for systems that implement predicted forwarding of data such as those with direct-mapped, third-level caches where hit/miss is determined on the following bus clock cycle, or for parity- or ECC-checked memory systems.

Note that  $\overline{DRTRY}$  may not be implemented on other PowerPC processors.

#### 8.4.4.2 Data Transfer Termination Due to a Bus Error

The  $\overline{\text{TEA}}$  signal indicates that a bus error occurred. It may be asserted while  $\overline{\text{DBB}}$  (and/or  $\overline{\text{DRTRY}}$  for read operations) is asserted. Asserting  $\overline{\text{TEA}}$  to the MPC750 terminates the transaction; that is, further assertions of  $\overline{\text{TA}}$  and  $\overline{\text{DRTRY}}$  are ignored and  $\overline{\text{DBB}}$  is negated.

Assertion of the  $\overline{\text{TEA}}$  signal causes a machine check exception (and possibly a checkstop condition within the MPC750). For more information, see Section 4.5.2, “Machine Check Exception (0x00200).” Note also that the MPC750 does not implement a synchronous error capability for memory accesses. This means that the exception instruction pointer saved into the SRR0 register does not point to the memory operation that caused the assertion of  $\overline{\text{TEA}}$ , but to the instruction about to be executed (perhaps several instructions later). However, assertion of  $\overline{\text{TEA}}$  does not invalidate data entering the GPR or the cache. Additionally, the address corresponding to the access that caused  $\overline{\text{TEA}}$  to be asserted is not latched by the MPC750. To recover, the exception handler must determine and remedy the cause of the  $\overline{\text{TEA}}$ , or the MPC750 must be reset; therefore, this function should only be used to indicate fatal system conditions to the processor (such as parity or uncorrectable ECC errors).

After the MPC750 has committed to run a transaction, that transaction must eventually complete. Address retry causes the transaction to be restarted;  $\overline{\text{TA}}$  wait states and  $\overline{\text{DRTRY}}$  assertion for reads delay termination of individual data beats. Eventually, however, the system must either terminate the transaction or assert the  $\overline{\text{TEA}}$  signal. For this reason, care must be taken to check for the end of physical memory and the location of certain system facilities to avoid memory accesses that result in the assertion of  $\overline{\text{TEA}}$ .

Note that  $\overline{\text{TEA}}$  generates a machine check exception depending on MSR[ME]. Clearing the machine check exception enable control bits leads to a true checkstop condition (instruction execution halted and processor clock stopped).

#### 8.4.5 Memory Coherency—MEI Protocol

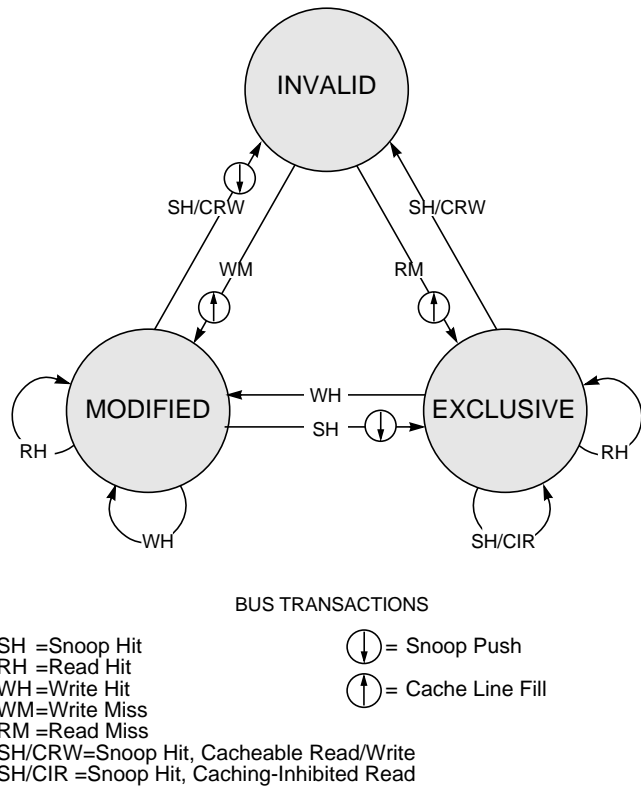
The MPC750 provides dedicated hardware to provide memory coherency by snooping bus transactions. The address retry capability enforces the three-state, MEI cache-coherency protocol (see Figure 8-14).

The global ( $\overline{\text{GBL}}$ ) output signal indicates whether the current transaction must be snooped by other snooping devices on the bus. Address bus masters assert  $\overline{\text{GBL}}$  to indicate that the current transaction is a global access (that is, an access to memory shared by more than one device). If  $\overline{\text{GBL}}$  is not asserted for the transaction, that transaction is not snooped. When other devices detect the  $\overline{\text{GBL}}$  input asserted, they must respond by snooping the broadcast address.

Normally,  $\overline{\text{GBL}}$  reflects the M bit value specified for the memory reference in the corresponding translation descriptor(s). Note that care must be taken to minimize the number of pages marked as global, because the retry protocol discussed in the previous section is used to enforce coherency and can require significant bus bandwidth.

When the MPC750 is not the address bus master,  $\overline{GBL}$  is an input. The MPC750 snoops a transaction if  $\overline{TS}$  and  $\overline{GBL}$  are asserted together in the same bus clock cycle (this is a qualified snooping condition). No snoop update to the MPC750 cache occurs if the snooped transaction is not marked global. This includes invalidation cycles.

When the MPC750 detects a qualified snoop condition, the address associated with the  $\overline{TS}$  is compared against the data cache tags. Snooping completes if no hit is detected. If, however, the address hits in the cache, the MPC750 reacts according to the MEI protocol shown in Figure 8-14, assuming the WIM bits are set to write-back, caching-allowed, and coherency-enforced modes (WIM = 001).



**Figure 8-14. MEI Cache Coherency Protocol—State Diagram (WIM = 001)**

# 8.5 Timing Examples

This section shows timing diagrams for various scenarios. Figure 8-15 illustrates the fastest single-beat reads possible for the MPC750. This figure shows both minimal latency and maximum single-beat throughput. By delaying the data bus tenure, the latency increases, but, because of split-transaction pipelining, the overall throughput is not affected unless the data bus latency causes the third address tenure to be delayed.

Note that all bidirectional signals are three-stated between bus tenures.

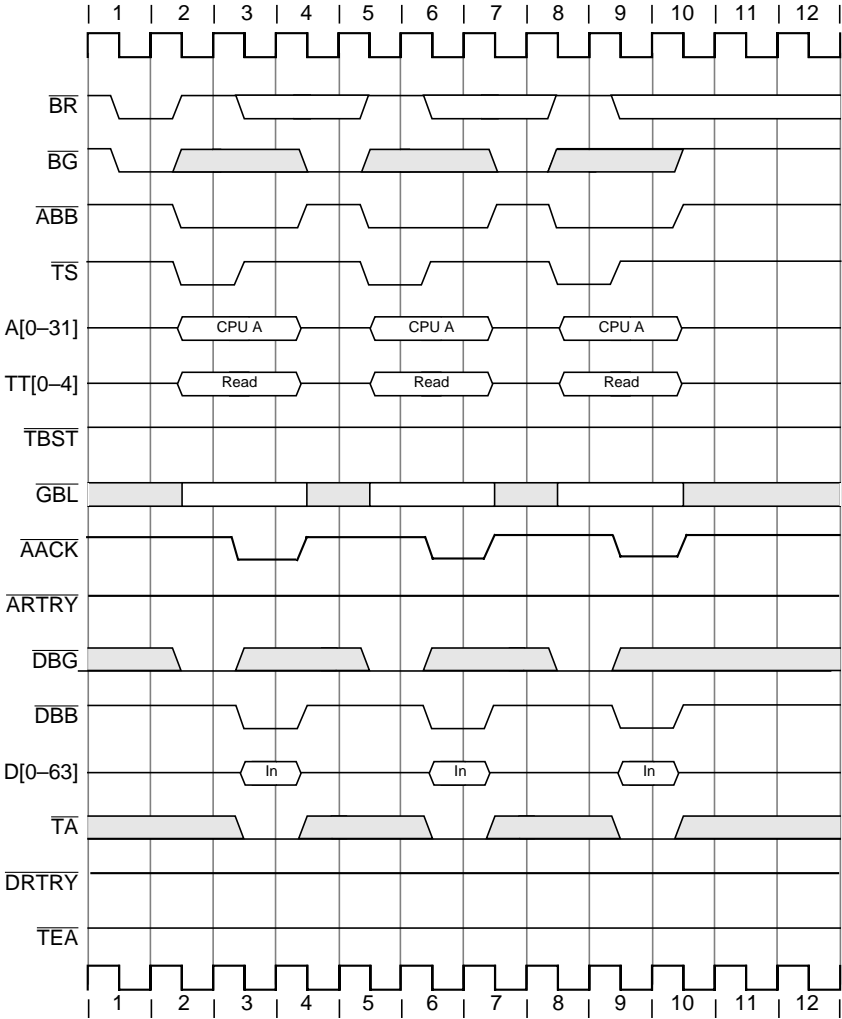


Figure 8-15. Fastest Single-Beat Reads

Figure 8-16 illustrates the fastest single-beat writes supported by the MPC750. All bidirectional signals are three-stated between bus tenures.

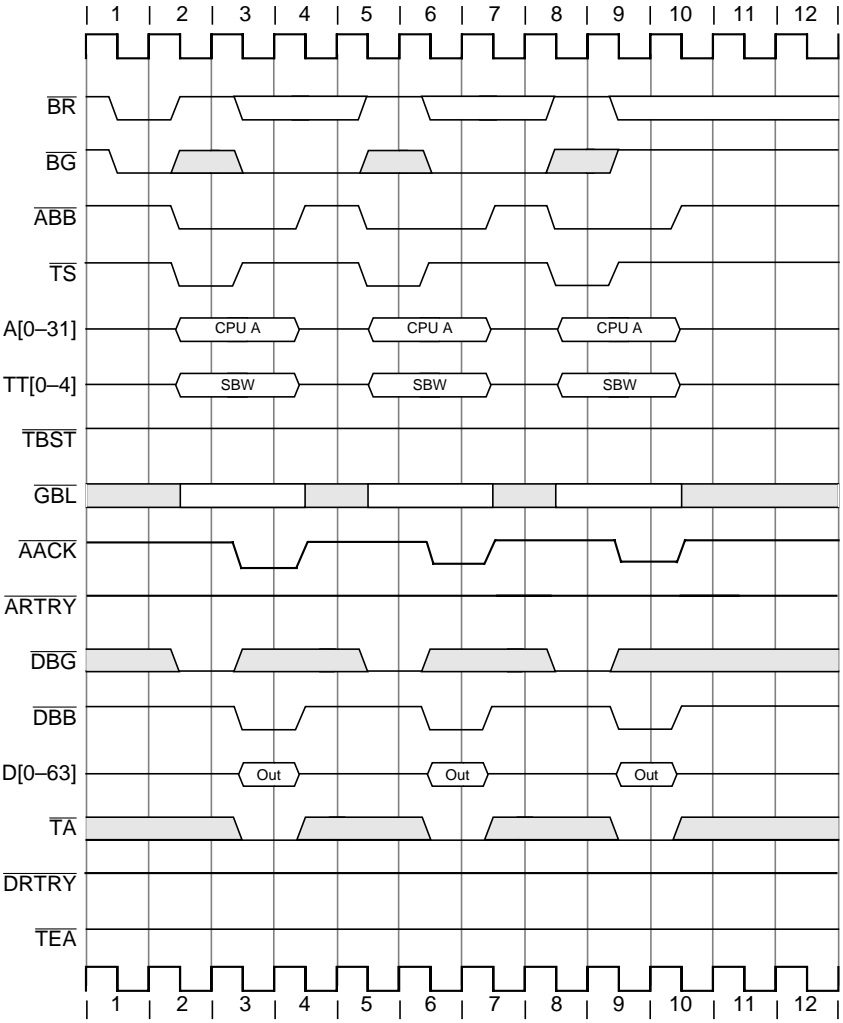


Figure 8-16. Fastest Single-Beat Writes

Figure 8-17 shows three ways to delay single-beat reads showing data-delay controls:

- The  $\overline{TA}$  signal can remain negated to insert wait states in clock cycles 3 and 4.
- For the second access,  $\overline{DBG}$  could have been asserted in clock cycle 6.
- In the third access,  $\overline{DRTRY}$  is asserted in clock cycle 11 to flush the previous data.

Note that all bidirectional signals are three-stated between bus tenures. The pipelining shown in Figure 8-17 can occur if the second access is not another load (for example, an instruction fetch).

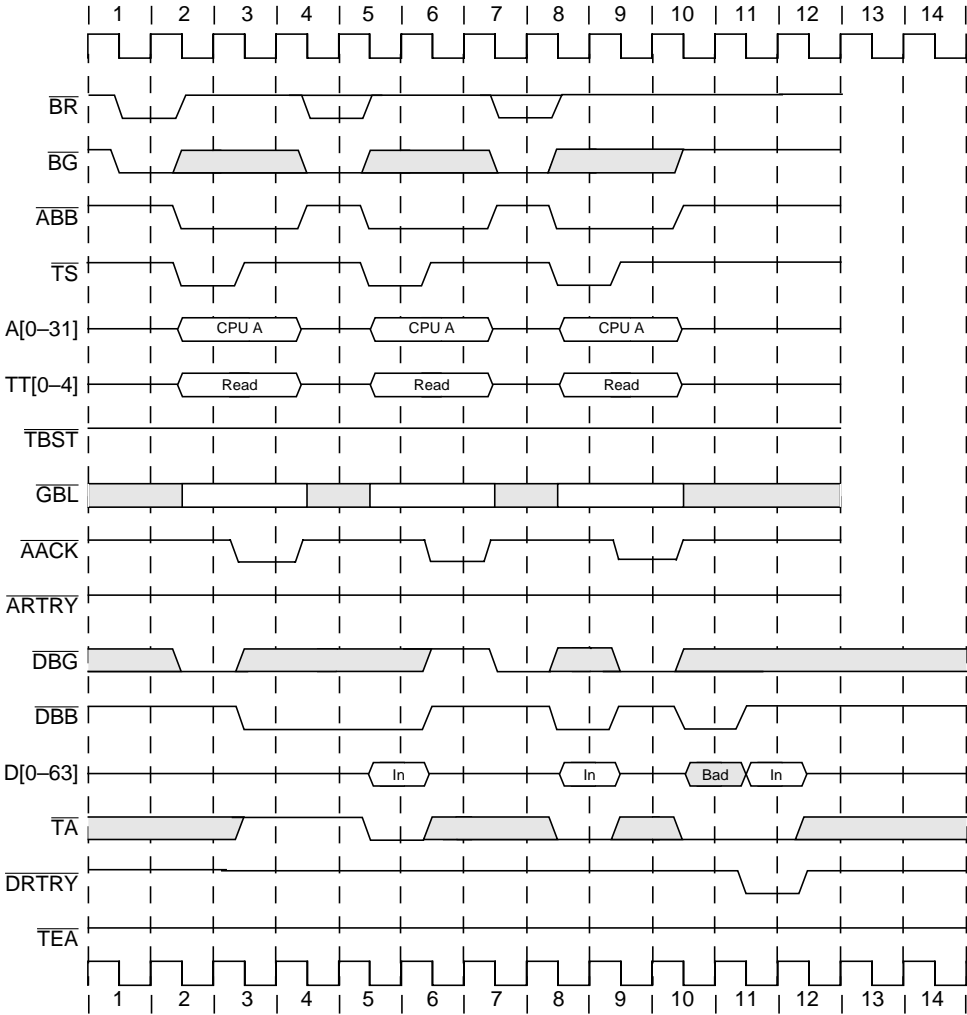


Figure 8-17. Single-Beat Reads Showing Data-Delay Controls



Figure 8-18 shows data-delay controls in a single-beat write operation. Note that all bidirectional signals are three-stated between bus tenures. Data transfers are delayed in the following ways:

- The  $\overline{TA}$  signal is held negated to insert wait states in clocks 3 and 4.
- In clock 6,  $\overline{DBG}$  is held negated, delaying the start of the data tenure.

The last access is not delayed ( $\overline{DRTRY}$  is valid only for read operations).

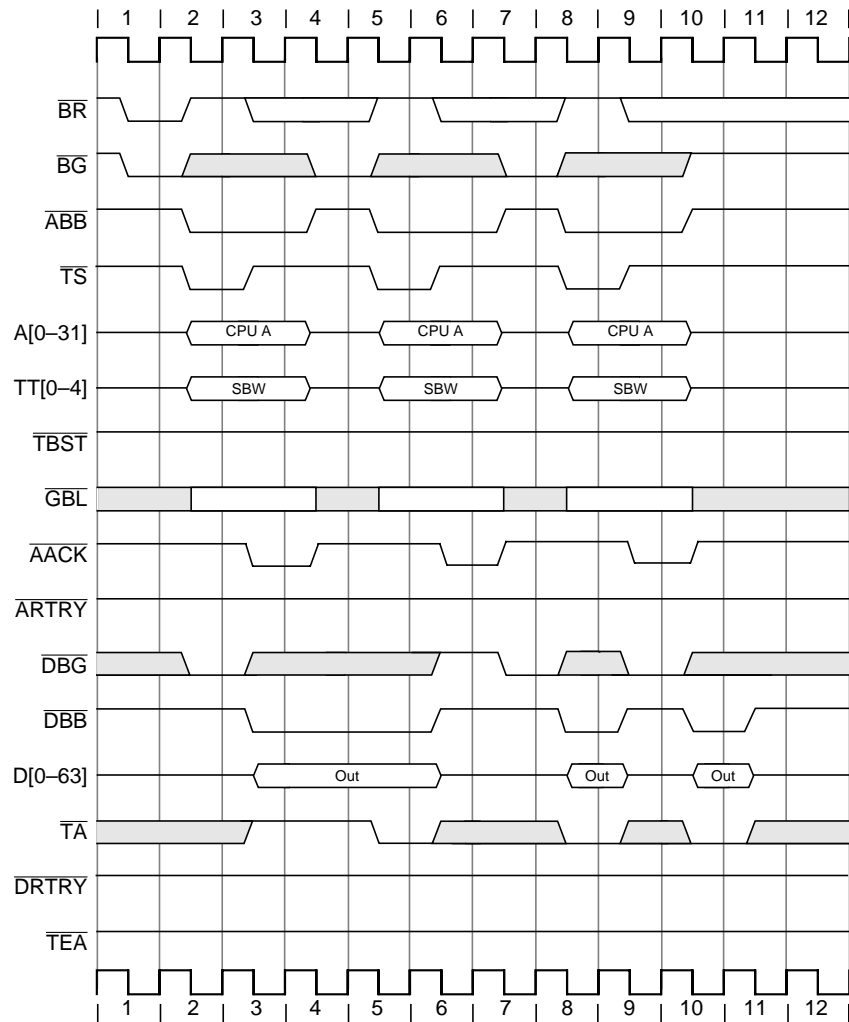


Figure 8-18. Single-Beat Writes Showing Data Delay Controls

Figure 8-19 shows the use of data-delay controls with burst transfers. Note that all bidirectional signals are three-stated between bus tenures. Note the following:

- The first data beat of bursted read data (clock 0) is the critical quad word.
- The write burst shows the use of  $\overline{TA}$  signal negation to delay the third data beat.
- The final read burst shows the use of  $\overline{DRTRY}$  on the third data beat.
- The address for the third transfer is delayed until the first transfer completes.

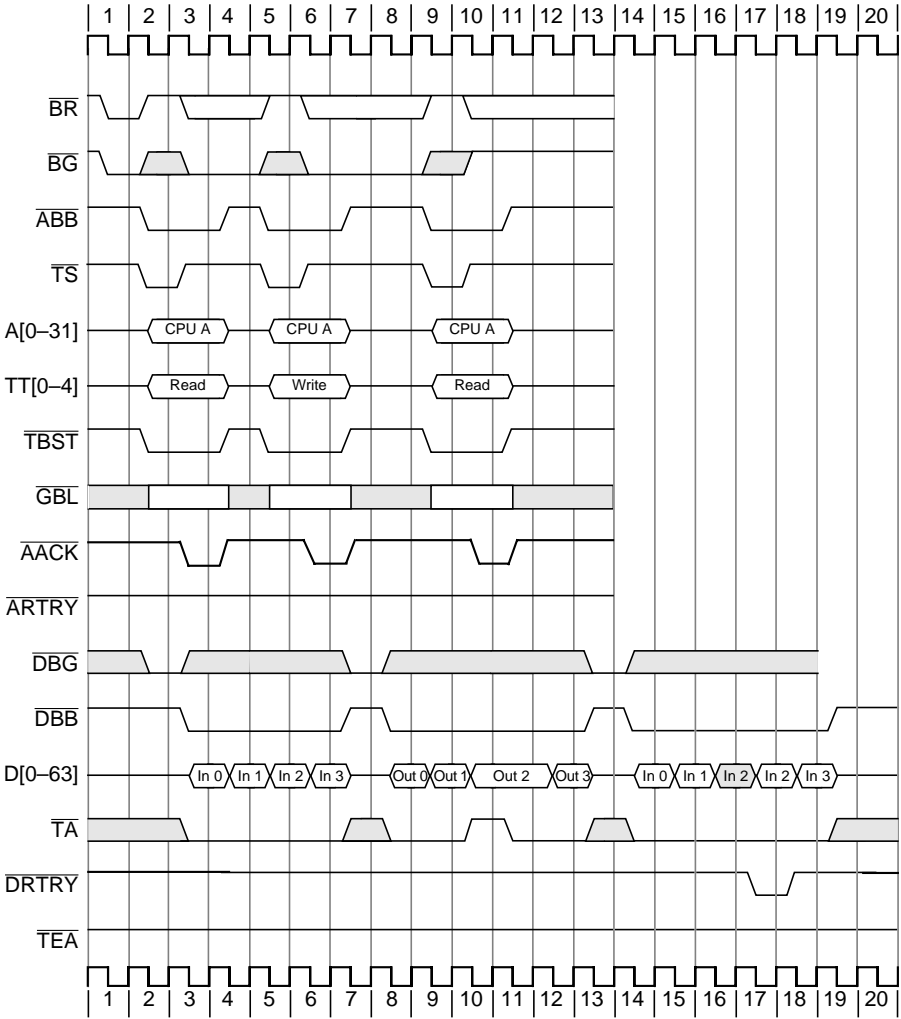


Figure 8-19. Burst Transfers with Data Delay Controls

Figure 8-20 shows the use of the  $\overline{\text{TEA}}$  signal. Note that all bidirectional signals are three-stated between bus tenures. Note the following:

- The first data beat of the read burst (in clock 0) is the critical quad word.
- The  $\overline{\text{TEA}}$  signal truncates the burst write transfer on the third data beat.
- The MPC750 eventually causes an exception to be taken on the  $\overline{\text{TEA}}$  event.

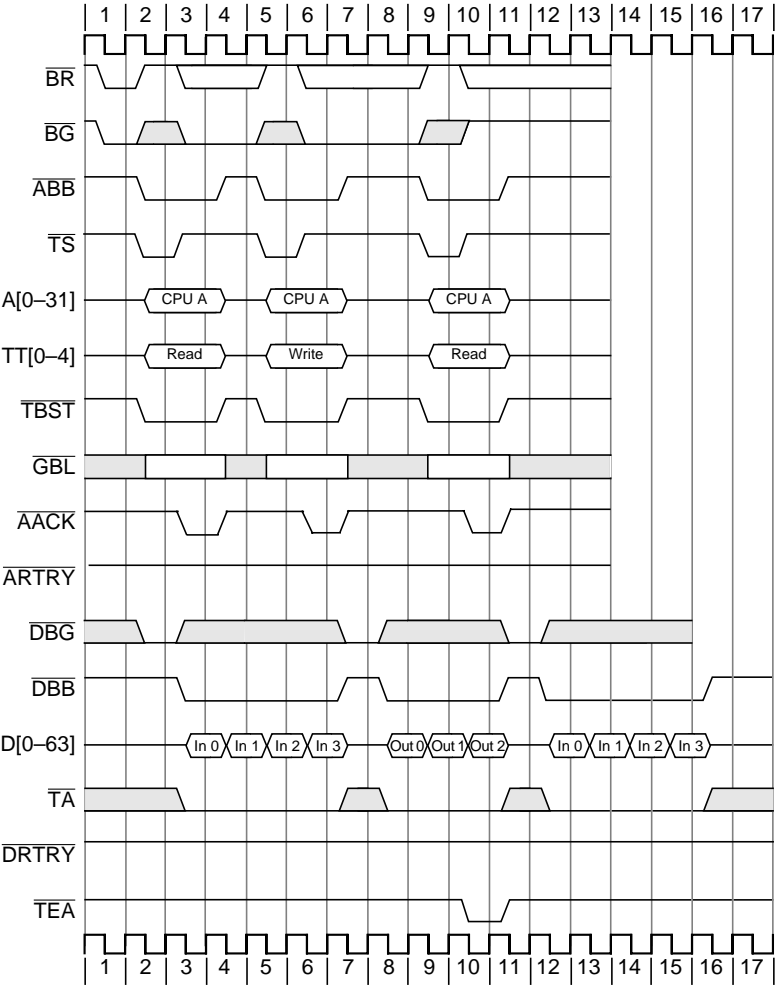


Figure 8-20. Use of Transfer Error Acknowledge ( $\overline{\text{TEA}}$ )

## 8.6 Optional Bus Configuration

The MPC750 supports an optional bus configuration that is selected by the assertion or negation of the  $\overline{\text{DRTRY}}$  signal during the negation of the  $\overline{\text{HRESET}}$  signal. The operation and selection of the optional bus configuration is described in the following sections.

### 8.6.1 No- $\overline{\text{DRTRY}}$ Mode

The MPC750 supports an optional mode to disable the use of the data retry function provided through the  $\overline{\text{DRTRY}}$  signal. The no- $\overline{\text{DRTRY}}$  mode allows the forwarding of data during load operations to the internal CPU one bus cycle sooner than in the normal bus protocol.

The 60x bus protocol specifies that, during load operations, the memory system normally has the capability to cancel data that was read by the master on the bus cycle after  $\overline{\text{TA}}$  was asserted. In the MPC750 implementation, this late cancellation protocol requires the MPC750 to hold any loaded data at the bus interface for one additional bus clock to verify that the data is valid before forwarding it to the internal CPU. For systems that do not implement the  $\overline{\text{DRTRY}}$  function, the MPC750 provides an optional no- $\overline{\text{DRTRY}}$  mode that eliminates this one-cycle stall during all load operations, and allows for the forwarding of data to the internal CPU immediately when  $\overline{\text{TA}}$  is recognized.

When the MPC750 is in the no- $\overline{\text{DRTRY}}$  mode, data can no longer be cancelled the cycle after it is acknowledged by an assertion of  $\overline{\text{TA}}$ . Data is immediately forwarded to the CPU internally, and any attempt at late cancellation by the system may cause improper operation by the MPC750.

When the MPC750 is following normal bus protocol, data may be cancelled the bus cycle after  $\overline{\text{TA}}$  by either of two means—late cancellation by  $\overline{\text{DRTRY}}$ , or late cancellation by  $\overline{\text{ARTRY}}$ . When no- $\overline{\text{DRTRY}}$  mode is selected, both cancellation cases must be disallowed in the system design for the bus protocol.

When no- $\overline{\text{DRTRY}}$  mode is selected for the MPC750, the system must ensure that  $\overline{\text{DRTRY}}$  is not asserted to the MPC750. If it is asserted, it may cause improper operation of the bus interface. The system must also ensure that an assertion of  $\overline{\text{ARTRY}}$  by a snooping device must occur before or coincident with the first assertion of  $\overline{\text{TA}}$  to the MPC750, but not on the cycle after the first assertion of  $\overline{\text{TA}}$ .

Other than the inability to cancel data that was read by the master on the bus cycle after  $\overline{\text{TA}}$  was asserted, the bus protocol for the MPC750 is identical to that for the basic transfer bus protocols described in this chapter.

The MPC750 selects the desired  $\overline{\text{DRTRY}}$  mode at startup by sampling the state of the  $\overline{\text{DRTRY}}$  signal itself at the negation of the  $\overline{\text{HRESET}}$  signal. If the  $\overline{\text{DRTRY}}$  signal is negated at the negation of  $\overline{\text{HRESET}}$ , normal operation is selected. If the  $\overline{\text{DRTRY}}$  signal is asserted at the negation of  $\overline{\text{HRESET}}$ , no- $\overline{\text{DRTRY}}$  mode is selected.

## 8.7 Interrupt, Checkstop, and Reset Signals

This section describes external interrupts, checkstop operations, and hard and soft reset inputs.

### 8.7.1 External Interrupts

The external interrupt input signals ( $\overline{\text{INT}}$ ,  $\overline{\text{SMI}}$  and  $\overline{\text{MCP}}$ ) of the MPC750 eventually force the processor to take the external interrupt vector or the system management interrupt vector if the MSR[EE] is set, or the machine check interrupt if the MSR[ME] and the HID0[EMCP] bits are set.

### 8.7.2 Checkstops

The MPC750 has two checkstop input signals— $\overline{\text{CKSTP\_IN}}$  (nonmaskable) and  $\overline{\text{MCP}}$  (enabled when MSR[ME] is cleared, and HID0[EMCP] is set), and a checkstop output ( $\overline{\text{CKSTP\_OUT}}$ ) signal. If  $\overline{\text{CKSTP\_IN}}$  or  $\overline{\text{MCP}}$  is asserted, the MPC750 halts operations by gating off all internal clocks. The MPC750 asserts  $\overline{\text{CKSTP\_OUT}}$  if  $\overline{\text{CKSTP\_IN}}$  is asserted.

If  $\overline{\text{CKSTP\_OUT}}$  is asserted by the MPC750, it has entered the checkstop state, and processing has halted internally. The  $\overline{\text{CKSTP\_OUT}}$  signal can be asserted for various reasons including receiving a  $\overline{\text{TEA}}$  signal and detection of external parity errors. For more information about checkstop state, see Section 4.5.2.2, “Checkstop State (MSR[ME] = 0).”

### 8.7.3 Reset Inputs

The MPC750 has two reset inputs, described as follows:

- $\overline{\text{HRESET}}$  (hard reset)—The  $\overline{\text{HRESET}}$  signal is used for power-on reset sequences, or for situations in which the MPC750 must go through the entire cold start sequence of internal hardware initializations.
- $\overline{\text{SRESET}}$  (soft reset)—The soft reset input provides warm reset capability. This input can be used to avoid forcing the MPC750 to complete the cold start sequence.

When either reset input is negated, the processor attempts to fetch code from the system reset exception vector. The vector is located at offset 0x00100 from the exception prefix (all zeros or ones, depending on the setting of the exception prefix bit in the machine state register (MSR[IP])). The MSR[IP] bit is set for  $\overline{\text{HRESET}}$ .

### 8.7.4 System Quiesce Control Signals

The system quiesce control signals ( $\overline{\text{QREQ}}$  and  $\overline{\text{QACK}}$ ) allow the processor to enter the nap or sleep low-power states, and bring bus activity to a quiescent state in an orderly fashion.

Prior to entering the nap or sleep power state, the MPC750 asserts the  $\overline{\text{QREQ}}$  signal. This signal allows the system to terminate or pause any bus activities that are normally snooped. When the system is ready to enter the system quiesce state, it asserts the  $\overline{\text{QACK}}$  signal. At this time the MPC750 may enter a quiescent (low power) state. When the MPC750 is in the quiescent state, it stops snooping bus activity. While the MPC750 is in the nap power state,

the system power controller can enable snooping by the MPC750 by deasserting the  $\overline{QACK}$  signal for at least eight bus clock cycles, after which the MPC750 is capable of snooping bus transactions. The reassertion of  $\overline{QACK}$  following the snoop transactions will cause the MPC750 to reenter the nap power state.

## 8.8 Processor State Signals

This section describes the MPC750's support for atomic update and memory through the use of the **lwarx/stwcx**. opcode pair, and includes a description of the  $\overline{TLBISYNC}$  input.

### 8.8.1 Support for the lwarx/stwcx. Instruction Pair

The Load Word and Reserve Indexed (**lwarx**) and the Store Word Conditional Indexed (**stwcx**.) instructions provide a means for atomic memory updating. Memory can be updated atomically by setting a reservation on the load and checking that the reservation is still valid before the store is performed. In the MPC750, the reservations are made on behalf of aligned, 32-byte sections of the memory address space.

The reservation ( $\overline{RSRV}$ ) output signal is driven synchronously with the bus clock and reflects the status of the reservation coherency bit in the reservation address register; see Chapter 3, “L1 Instruction and Data Cache Operation,” for more information. For information about timing, see Section 7.2.9.7.3, “Reservation (RSRV)—Output.”

### 8.8.2 $\overline{TLBISYNC}$ Input

The  $\overline{TLBISYNC}$  input allows for the hardware synchronization of changes to MMU tables when the MPC750 and another DMA master share the same MMU translation tables in system memory. It is asserted by a DMA master when it is using shared addresses that could be changed in the MMU tables by the MPC750 during the DMA master's tenure.

The  $\overline{TLBISYNC}$  input, when asserted to the MPC750, prevents the MPC750 from completing any instructions past a **tlbsync** instruction. Generally, during the execution of an **eciwx** or **ecowx** instruction by the MPC750, the selected DMA device should assert the MPC750's  $\overline{TLBISYNC}$  signal and maintain it asserted during its DMA tenure if it is using a shared translation address. Subsequent instructions by the MPC750 should include a **sync** and **tlbsync** instruction before any MMU table changes are performed. This will prevent the MPC750 from making table changes disruptive to the other master during the DMA period.

## 8.9 IEEE 1149.1a-1993 Compliant Interface

The MPC750 boundary-scan interface is a fully-compliant implementation of the IEEE 1149.1a-1993 standard. This section describes the MPC750's IEEE 1149.1a-1993 (JTAG) interface.

### 8.9.1 JTAG/COP Interface

The MPC750 has extensive on-chip test capability including the following:

- Debug control/observation (COP)
- Boundary scan (standard IEEE 1149.1a-1993 (JTAG) compliant interface)
- Support for manufacturing test

The COP and boundary scan logic are not used under typical operating conditions. Detailed discussion of the MPC750 test functions is beyond the scope of this document; however, sufficient information has been provided to allow the system designer to disable the test functions that would impede normal operation.

The JTAG/COP interface is shown in Figure 8-21. For more information, refer to *IEEE Standard Test Access Port and Boundary Scan Architecture IEEE STD 1149-1a-1993*.

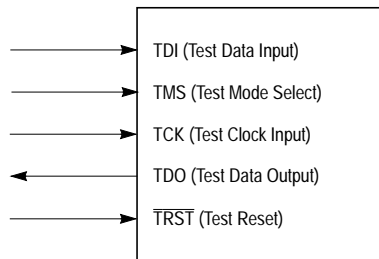
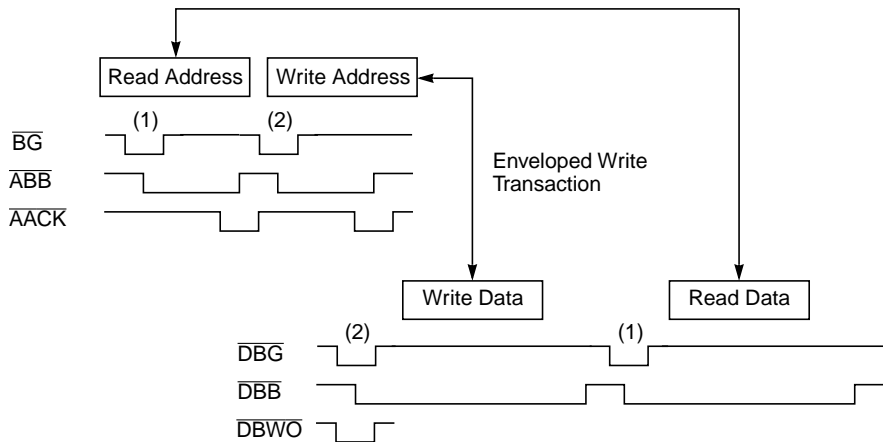


Figure 8-21. IEEE 1149.1a-1993 Compliant Boundary Scan Interface

## 8.10 Using Data Bus Write Only

The MPC750 supports split-transaction pipelined transactions. It supports a limited out-of-order capability for its own pipelined transactions through the data bus write only ( $\overline{\text{DBWO}}$ ) signal. When recognized on the clock of a qualified  $\overline{\text{DBG}}$ , the assertion of  $\overline{\text{DBWO}}$  directs the MPC750 to perform the next pending data write tenure (if any), even if a pending read tenure would have normally been performed because of address pipelining. The  $\overline{\text{DBWO}}$  signal does not change the order of write tenures with respect to other write tenures from the same MPC750. It only allows that a write tenure be performed ahead of a pending read tenure from the same MPC750.

In general, an address tenure on the bus is followed strictly in order by its associated data tenure. Transactions pipelined by the MPC750 complete strictly in order. However, the MPC750 can run bus transactions out of order only when the external system allows the MPC750 to perform a cache-line-snoop-push-out operation (or other write transaction, if pending in the MPC750 write queues) between the address and data tenures of a read operation through the use of  $\overline{DBWO}$ . This effectively envelopes the write operation within the read operation. Figure 8-22 shows how the  $\overline{DBWO}$  signal is used to perform an enveloped write transaction.



**Figure 8-22. Data Bus Write Only Transaction**

Note that although the MPC750 can pipeline any write transaction behind the read transaction, special care should be used when using the enveloped write feature. It is envisioned that most system implementations will not need this capability; for these applications,  $\overline{DBWO}$  should remain negated. In systems where this capability is needed,  $\overline{DBWO}$  should be asserted under the following scenario:

1. The MPC750 initiates a read transaction (either single-beat or burst) by completing the read address tenure with no address retry.
2. Then, the MPC750 initiates a write transaction by completing the write address tenure, with no address retry.
3. At this point, if  $\overline{DBWO}$  is asserted with a qualified data bus grant to the MPC750, the MPC750 asserts  $\overline{DBB}$  and drives the write data onto the data bus, out of order with respect to the address pipeline. The write transaction concludes with the MPC750 negating  $\overline{DBB}$ .
4. The next qualified data bus grant signals the MPC750 to complete the outstanding read transaction by latching the data on the bus. This assertion of  $\overline{DBG}$  should not be accompanied by an asserted  $\overline{DBWO}$ .



Any number of bus transactions by other bus masters can be attempted between any of these steps.

Note the following regarding  $\overline{DBWO}$ :

- $\overline{DBWO}$  can be asserted if no data bus read is pending, but it has no effect on write ordering.
- The ordering and presence of data bus writes is determined by the writes in the write queues at the time  $\overline{BG}$  is asserted for the write address (not  $\overline{DBG}$ ). If a particular write is desired (for example, a cache-line-snoop-push-out operation), then  $\overline{BG}$  must be asserted after that particular write is in the queue and it must be the highest priority write in the queue at that time. A cache-line-snoop-push-out operation may be the highest priority write, but more than one may be queued.
- Because more than one write may be in the write queue when  $\overline{DBG}$  is asserted for the write address, more than one data bus write may be enveloped by a pending data bus read.

The arbiter must monitor bus operations and coordinate the various masters and slaves with respect to the use of the data bus when  $\overline{DBWO}$  is used. Individual  $\overline{DBG}$  signals associated with each bus device should allow the arbiter to synchronize both pipelined and split-transaction bus organizations. Individual  $\overline{DBG}$  and  $\overline{DBWO}$  signals provide a primitive form of source-level tagging for the granting of the data bus.

Note that use of the  $\overline{DBWO}$  signal allows some operation-level tagging with respect to the MPC750 and the use of the data bus.



# Chapter 9

## L2 Cache Interface Operation

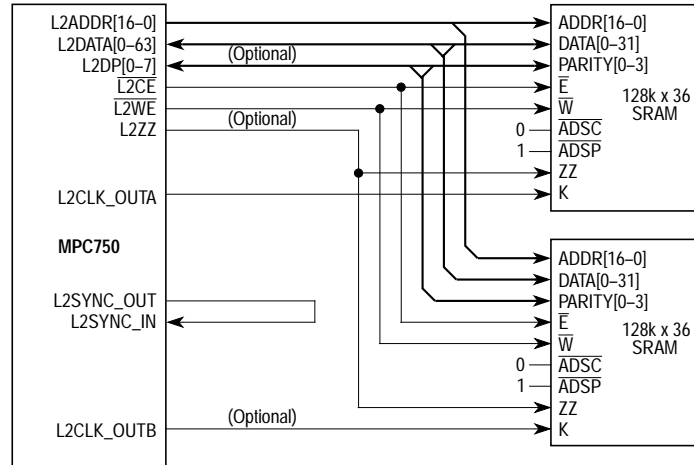
This chapter describes the MPC750 microprocessor L2 cache interface, and its configuration and operation. It describes how the MPC750 signals, defined in Chapter 7, “Signal Descriptions,” interact to perform address and data transfers to and from the L2 cache. Note that the MPC740 microprocessor does not implement the L2 cache interface.

### 9.1 L2 Cache Interface Overview

The MPC750’s L2 cache interface is implemented with an on-chip, two-way set associative tag memory with 4096 tags per way, and a dedicated interface with support for up to 1 Mbyte of external synchronous SRAM for data storage. The tags are sectored to support either two cache blocks per tag entry (two sectors, 64 bytes), or four cache blocks per tag entry (four sectors, 128 bytes) depending on the L2 cache size. If the L2 cache is configured for 256 Kbytes or 512 Kbytes of external SRAM, the tags are configured for two sectors per L2 cache block. The L2 tags are configured for four sectors per L2 cache block when 1 Mbyte of external SRAM is used. Each sector (32-byte L1 cache block) in the L2 cache has its own valid and modified bits.

The L2 cache control register (L2CR) allows control of L2 cache configuration and timing, byte-level data parity generation and checking, global invalidation of L2 contents, write-through operation, and L2 test support. The L2 cache interface provides two clock outputs that allow the clock inputs of the SRAMs to be driven at frequency divisions of 1, 1.5, 2, 2.5, and 3 of the processor core frequency. The MPC750’s L2 cache normally is configured to operate in copy-back mode and maintains cache coherency through snooping.

Figure 9-1 shows the MPC750 configured with a 1-Mbyte L2 cache.



**Notes:**

- For a 1-Mbyte L2, use address bits 16–0 (bit 0 is LSB).
- For a 512-Kbyte L2, use address bits 15–0 (bit 0 is LSB).
- For a 256-Kbyte L2, use address bits 14–0 (bit 0 is LSB).
- External clock routing should ensure that the rising edge of the L2 clock is coincident at the K input of all SRAMs and at the L2Sync\_In input of the MPC750. The clock A network can be used solely or the clock B network can also be used depending on loading, frequency, and number of SRAMs.
- No pull-up resistors are normally required for the L2 interface.
- The MPC750 supports only one bank of SRAMs.
- For high-speed operation, no more than two loads should be presented on each L2 interface signal.

**Figure 9-1. Typical 1-Mbyte L2 Cache Configuration**

### 9.1.1 L2 Cache Operation

The MPC750's L2 cache is a combined instruction and data cache that receives memory requests from both L1 instruction and data caches independently. The L1 requests are generally the result of instruction fetch misses, data load or store misses, write-through operations, or cache management instructions. Each L1 request generates an address lookup in the L2 tags. If a hit occurs, the instructions or data are forwarded to the L1 cache. A miss in the L2 tags causes the L1 request to be forwarded to the 60x bus interface. The cache block received from the bus is forwarded to the L1 cache immediately, and is also loaded into the L2 cache with the tag marked valid and unmodified. If the cache block loaded into the L2 causes a new tag entry to be allocated and the current tag entry is marked valid modified, the modified sectors of the tag to be replaced are castout from the L2 cache to the 60x bus.

At any given time the L1 instruction cache may have one instruction fetch request, and the L1 data cache may have one load and two stores requesting L2 cache access. The L2 cache also services snoop requests from the 60x bus. When there are multiple pending requests to the L2 cache, snoop requests have highest priority, followed by data load and store requests (serviced on a first-in, first-out basis). Instruction fetch requests have the lowest priority in accessing the L2 cache when there are multiple accesses pending.

If read requests from both the L1 instruction and data caches are pending, the L2 cache can perform hit-under-miss and supplies the available instruction or data while a bus transaction for the previous L2 cache miss is performed. The L2 cache does not support miss-under-miss, and the second instruction fetch or data load stalls until the bus operation resulting from the first L2 miss completes.

All requests to the L2 cache that are marked cacheable (even if the respective L1 cache is disabled or locked) cause tag lookup and will be serviced if the instructions or data are in the L2 cache. Burst and single-beat read requests from the L1 caches that hit in the L2 cache are forwarded instructions or data, and the L2 LRU bit for that tag is updated. Burst writes from the L1 data cache due to a castout or replacement copyback are written only to the L2 cache, and the L2 cache sector is marked modified. Designers should note that during burst transfers into and out of the L2 cache SRAM array an address is generated by the MPC750 for each data beat.

If the L2 cache is configured as write-through, the L2 sector is marked unmodified, and the write is forwarded to the 60x bus. If the L1 castout requires a new L2 tag entry to be allocated and the current tag is marked modified, any modified sectors of the tag to be replaced are cast out of the L2 cache to the 60x bus.

Single-beat read requests from the L1 caches that miss in the L2 cache do not cause any state changes in the L2 cache and are forwarded on the 60x bus interface. Cacheable single-beat store requests marked copy-back that hit in the L2 are allowed to update the L2 cache sector, but do not cause L2 cache sector allocation or deallocation. Cacheable, single-beat store requests that miss in the L2 are forwarded to the 60x bus. Single-beat store requests marked write-through (through address translation or through the configuration of L2CR[L2WT]) are written to the L2 cache if they hit and are written to the 60x bus independent of the L2 hit/miss status. If the store hits in the L2 cache, the modified/unmodified status of the tag remains unchanged. All requests to the L2 cache that are marked cache-inhibited by address translation (through either the MMU or by default WIMG configuration) bypass the L2 cache and do not cause any L2 cache tag state change.

The execution of the **stwcx.** instruction results in single-beat writes from the L1 data cache. These single-beat writes are processed by the L2 cache according to hit/miss status, L1 and L2 write-through configuration, and reservation-active status. If the address associated with the **stwcx.** instruction misses in the L2 cache or if the reservation is no longer active, the **stwcx.** instruction bypasses the L2 cache and is forwarded to the 60x bus interface. If the **stwcx.** hits in the L2 cache and the reservation is still active, one of the following actions occurs:

- If the **stwcx.** hits a modified sector in the L2 cache (independent of write-through status), or if the **stwcx.** hits both the L1 and L2 caches in copy-back mode, the **stwcx.** is written to the L2 and the reservation completes.
- If the **stwcx.** hits an unmodified sector in the L2 cache, and either the L1 or L2 is in write-through mode, the **stwcx.** is forwarded to the 60x bus interface and the sector hit in the L2 cache is invalidated.

L1 cache-block-push operations generated by the execution of **dcbf** and **dcbst** instructions write through to the 60x bus interface and invalidate the L2 cache sector if they hit. The execution of **dcbf** and **dcbst** instructions that do not cause a cache-block-push from the L1 cache are forwarded to the L2 cache to perform a sector invalidation and/or push from the L2 cache to the 60x bus as required. If the **dcbf** and **dcbst** instructions do not cause a sector push from the L2 cache, they are forwarded to the 60x bus interface for address-only broadcast if **HID0[ABE]** is set to 1.

The **dcbi** instruction is always forwarded to the L2 cache and causes a segment invalidation if a hit occurs. The **dcbi** instruction is also forwarded to the 60x bus interface for broadcast if **HID0[ABE]** is set to 1. The **icbi** instruction invalidates only L1 cache blocks and is never forwarded to the L2 cache. Any **dcbz** instructions marked global do not affect the L2 cache state. If a **dcbz** instruction hits in the L1 and L2 caches, the L1 data cache block is cleared and the **dcbz** instruction completes. If a **dcbz** instruction misses in the L2 cache, it is forwarded to the 60x bus interface for broadcast. Any **dcbz** instructions that are marked nonglobal act only on the L1 data cache.

The **sync** and **eieio** instructions bypass the L2 cache and are forwarded to the 60x bus.

### 9.1.2 L2 Cache Control Register (L2CR)

The L2 cache control register is used to configure and enable the L2 cache. The L2CR is a supervisor-level read/write, implementation-specific register that is accessed as SPR 1017. The contents of the L2CR are cleared during power-on reset. Table 9-1 describes the L2CR bits. For additional information about the configuration of the L2CR, refer to Section 2.1.5, “L2 Cache Control Register (L2CR).”

**Table 9-1. L2 Cache Control Register**

Bit	Name	Function
0	L2E	L2 enable
1	L2PE	L2 data parity generation and checking enable
2–3	L2SIZ	L2 size—Should be set according to the size of the L2 data RAMs used 00 Reserved 01 256 Kbyte 10 512 Kbyte 11 1 Mbyte
4–6	L2CLK	L2 clock ratio (core-to-L2 frequency divider) 000 L2 clock and DLL disabled 001 $\times 1$ 010 $\times 1.5$ 011 Reserved 100 $\times 2$ 101 $\times 2.5$ 110 $\times 3$ 111 Reserved
7–8	L2RAM	L2 RAM type—Configures the L2 RAM interface for the type of synchronous SRAMs used 00 Flow-through (register-buffer) synchronous burst SRAM 01 Reserved 10 Pipelined (register-register) synchronous burst SRAM 11 Pipelined (register-register) synchronous late-write SRAM
9	L2DO	L2 data-only. Setting this bit enables the caching of instructions in the L2 cache.
10	L2I	L2 global invalidate. Setting L2I invalidates the L2 cache globally by clearing the L2 status bits.
11	L2CTL	L2 RAM control (ZZ enable). Setting L2CTL enables the automatic operation of the L2ZZ (low-power mode) signal for cache RAMs that support the ZZ function. This bit should not be set when the MPC750 is in nap mode and snooping is being performed through deassertion of QACK.
12	L2WT	L2 write-through. Setting L2WT selects write-through mode (rather than the default copy-back mode) so all writes to the L2 cache also write through to the 60x bus.
13	L2TS	L2 test support. Setting L2TS causes cache block pushes from the L1 data cache that result from <b>dcbf</b> and <b>dcbst</b> instructions to be written only into the L2 cache and marked valid, rather than being written only to the 60x bus and marked invalid in the L2 cache in case of hit. If L2TS is set, causes single-beat store operations that miss in the L2 cache to be discarded.
14–15	L2OH	L2 output hold. These bits configure the output hold time of the address, data, and control signals driven by the MPC750 to the L2 data RAMs. 00 0.5 nS 01 1.0 nS 10 Reserved 11 Reserved
16	L2SL	L2 DLL slow. Setting L2SL enables L2 data RAM clocking at frequencies less than 100 MHz.
17	L2DF	L2 differential clock. Setting L2DF configures the two clock-out signals (L2CLK_OUTA and L2CLK_OUTB) of the L2 interface to operate as one differential clock.

**Table 9-1. L2 Cache Control Register (Continued)**

Bit	Name	Function
18	L2BYP	L2 DLL bypass. L2BYP is intended for use when the PLL is being bypassed, and for engineering evaluation.
19–30	—	Reserved. These bits should be cleared to 0.
31	L2IP	L2 global invalidate in progress (read only)—This read-only bit indicates whether an L2 global invalidate is occurring.

### 9.1.3 L2 Cache Initialization

Following a power-on or hard reset, the L2 cache and the L2 DLL are disabled initially. Before enabling the L2 cache, the L2 DLL must first be configured through the L2CR register, and the DLL must be allowed 640 L2 clock periods to achieve phase lock. Before enabling the L2 cache, other configuration parameters must be set in the L2CR, and the L2 tags must be globally invalidated. The L2 cache should be initialized during system start-up.

The sequence for initializing the L2 cache is as follows:

- Power-on reset (automatically performed by the assertion of  $\overline{\text{HRESET}}$  signal).
- Disable L2 cache by clearing L2 CR[L2E].
- Set the L2CR[L2CLK] bits to the desired clock divider setting. Setting a nonzero value automatically enables the DLL. All other L2 cache configuration bits should be set to properly configure the L2 cache interface for the SRAM type, size, and interface timing required.
- Wait for the L2 DLL to achieve phase lock. This can be timed by setting the decremter for a time period equal to 640 L2 clocks, or by performing an L2 global invalidate.
- Perform an L2 global invalidate. The global invalidate could be performed before enabling the DLL, or in parallel with waiting for the DLL to stabilize. Refer to Section 9.1.4, “L2 Cache Global Invalidation,” for more information about L2 cache global invalidation. Note that a global invalidate always takes much longer than it takes for the DLL to stabilize.
- After the DLL stabilizes, an L2 global invalidate has been performed, and the other L2 configuration bits have been set, enable the L2 cache for normal operation by setting the L2CR[L2E] bit to 1.



### 9.1.4 L2 Cache Global Invalidation

The L2 cache supports a global invalidation function in which all bits of the L2 tags (tag data bits, tag status bits, and LRU bit) are cleared. It is performed by an on-chip hardware state machine that sequentially cycles through the L2 tags. The global invalidation function is controlled through L2CR[L2I], and it must be performed only while the L2 cache is disabled. The MPC750 can continue operation during a global invalidation provided the L2 cache has been properly disabled before the global invalidation operation starts.

The sequence for performing a global invalidation of the L2 cache is as follows:

- Execute a **sync** instruction to finish any pending store operations in the load/store unit, disable the L2 cache by clearing L2CR[L2E], and execute an additional **sync** instruction after disabling the L2 cache to ensure that any pending operations in the L2 cache unit have completed.
- Initiate the global invalidation operation by setting the L2CR[L2I] bit to 1.
- Monitor the L2CR[L2IP] bit to determine when the global invalidation operation is completed (indicated by the clearing of L2CR[L2IP]). The global invalidation requires approximately 32K core clock cycles to complete.
- After detecting the clearing of L2CR[L2IP], clear L2CR[L2I] and re-enable the L2 cache for normal operation by setting L2CR[L2E].

### 9.1.5 L2 Cache Test Features and Methods

In the course of system power-up, testing may be required to verify the proper operation of the L2 tag memory, external SRAM, and overall L2 cache system. The following sections describe the MPC750's features and methods for testing the L2 cache. The L2 cache address space should be marked as guarded ( $G = 1$ ) so spurious load operations are not forwarded to the 60x bus interface before branch resolution during L2 cache testing.

#### 9.1.5.1 L2CR Support for L2 Cache Testing

L2CR[DO] and L2CR[TS] support the testing of the L2 cache. L2CR[DO] prevents instructions from being cached in the L2. This allows the L1 instruction cache to remain enabled during the testing process without having L1 instruction misses affect the contents of the L2 cache and allows all L2 cache activity to be controlled by program-specified load and store operations.

L2CR[TS] is used with the **dcbf** and **dcbst** instructions to push data into the L2 cache. When L2CR[TS] is set, and the L1 data cache is enabled, an instruction loop containing a **dcbf** instruction can be used to store any address or data pattern to the L2 cache. Additionally, 60x bus broadcasting is inhibited when a **dcbz** instruction is executed. This allows the use of a **dcbz** instruction to clear an L1 cache block, followed by a **dcbf** instruction to push the cache block into the L2 cache and invalidate the L1 cache block.

When the L2 cache is enabled, cacheable single-beat read operations are allowed to hit in the L2 cache and cacheable write operations are allowed to modify the contents of the L2

cache when a hit occurs. Cacheable single-beat read and writes occur when address translation is disabled (invoking the use of the default WIMG bits (0b0011)), or when address translation is enabled and accesses are marked as cacheable through the page table entries or the BATs, and the L1 data cache is disabled or locked. When the L2 cache has been initialized and the L1 cache has been disabled or locked, load or store instructions then bypass the L1 cache and hit in the L2 cache directly. When L2CR[TS] is set, cacheable single-beat writes are inhibited from accessing the 60x bus interface after an L2 cache miss.

During L2 cache testing, the performance monitor can be used to count L2 cache hits and misses, thereby providing a numerical signature for test routines and a way to verify proper L2 cache operation.

### 9.1.5.2 L2 Cache Testing

A typical test for verifying the proper operation of the MPC750's L2 cache memory (external SRAM and tag) would perform the following steps:

- Initialize the L2 test sequence by disabling address translation to invoke the default WIMG setting (0b0011). Set L2CR[DO] and L2CR[TS] and perform a global invalidation of the L1 data cache and the L2 cache. The L1 instruction cache can remain enabled to improve execution efficiency.
- Test the L2 cache external SRAM by enabling the L1 data cache and executing a sequence of **dcbz**, **stw**, and **dcbf** instructions to initialize the L2 cache with a desired range of consecutive addresses and with cache data consisting of zeros. Once the L2 cache holds a sequential range of addresses, disable the L1 data cache and execute a series of single-beat load and store operations employing a variety of bit patterns to test for stuck bits and pattern sensitivities in the L2 cache SRAM. The performance monitor can be used to verify whether the number of L2 cache hits or misses corresponds to the tests performed.
- Test the L2 cache tag memory by enabling the L1 data cache and executing a sequence of **dcbz**, **stw**, and **dcbf** instructions to initialize the L2 cache with a wide range of addresses and cache data. Once the L2 cache is populated with a known range of addresses and data, disable the L1 data cache and execute a series of store operations to addresses not previously in the L2 cache. These store operations should miss in every case. Note that setting the L2CR[TS] inhibits L2 cache misses from being forwarded to the 60x bus interface, thereby avoiding the potential for bus errors due to addressing hardware or nonexistent memory. The L2 cache then can be further verified by reading the previously loaded addresses and observing whether all the tags hit, and that the associated data compares correctly. The performance monitor can also be used to verify whether the proper number of L2 cache hits and misses correspond to the test operations performed.
- The entire L2 cache can be tested by clearing L2CR[DO] and L2CR[TS], restoring the L1 and L2 caches to their normal operational state, and executing a comprehensive test program designed to exercise all the caches. The test program should include operations that cause L2 hit, reload, and castout activity that can be subsequently verified through the performance monitor.

### 9.1.6 L2 Clock Configuration

The MPC750 provides a programmable clock for the L2 external synchronous data RAM. The clock frequency for the external SRAM is provided by dividing the MPC750's internal clock by ratios of 1, 1.5, 2, 2.5, or 3, programmed through the L2CR[CLK] bits. The L2 clock is phase-adjusted to synchronize the clocking of the latches in the MPC750's L2 cache interface with the clocking of the external SRAM by means of an on-chip delay-locked loop (DLL).

The ratio selected for the L2 clock is dependent on the frequency supported by the external SRAMs, the MPC750's internal frequency of operation, and the range of phase adjustment supported by the L2 DLL. Refer to the MPC750 hardware specifications for additional information about L2 clock configuration.

### 9.1.7 L2 Cache SRAM Timing Examples

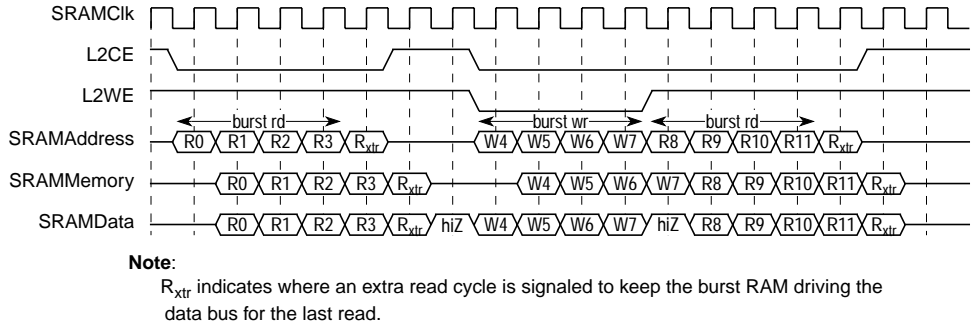
This section describes the signal timing for the three types of SRAM (flow-through burst SRAM, pipelined burst SRAM, and late-write SRAM) supported by the MPC750's L2 cache interface. The timing diagrams illustrate the best case logical (ideal, non AC-timing accurate) interface operations. For proper interface operation, the designer must select SRAMs that support the signal sequencing illustrated in the timing diagrams. Designers should also note that during burst transfers into and out of the L2 cache SRAM array, an address is generated by the MPC750 for each data beat.

The SRAM selected for a system design is usually a function of desired system performance, L2 bus frequency, and SRAM unit cost. The following sections describe the operation of the three SRAM types supported by the MPC750, and the design trade-offs associated with each.

#### 9.1.7.1 Flow-Through Burst SRAM

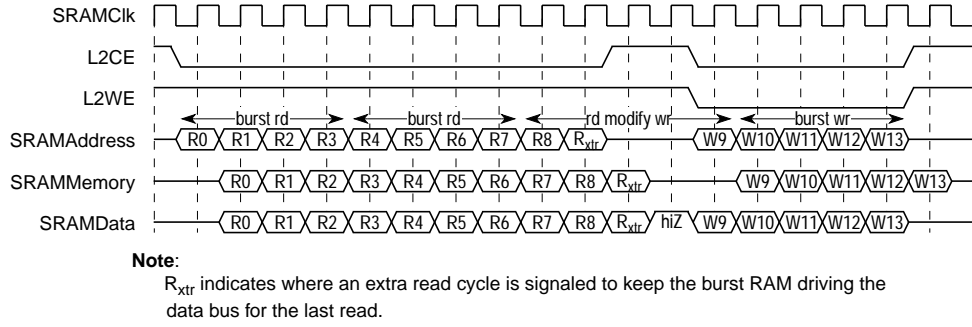
Flow-through burst SRAMs operate by clocking in the address, and driving the data directly to the bus from the SRAM memory array. This behavior allows the flow-through burst SRAMs to provide initial read data one cycle sooner than pipelined burst SRAMs, but the flow-through burst SRAM frequencies available may only support the slowest L2 bus frequencies. The MPC750 supports flow-through burst SRAM at L2 clock ratios of  $\div 2$ ,  $\div 2.5$ , and  $\div 3$ .

Figure 9-2 shows a burst read-write-read memory access sequence when the L2 cache interface is configured with flow-through burst SRAM.



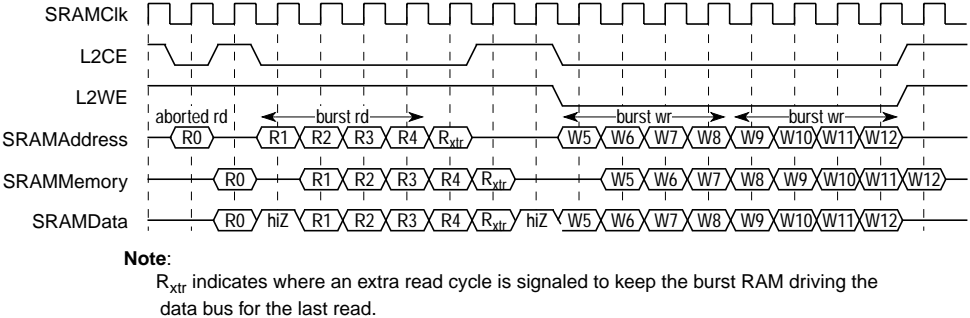
**Figure 9-2. Burst Read-Write-Read L2 Cache Access (Flow-Through)**

Figure 9-3 shows a burst read-modify-write memory access sequence when the L2 cache interface is configured with flow-through burst SRAM.



**Figure 9-3. Burst Read-Modify-Write L2 Cache Access (Flow-Through)**

Figure 9-4 shows a burst read-write-write memory access sequence when the L2 cache interface is configured with flow-through burst SRAM.

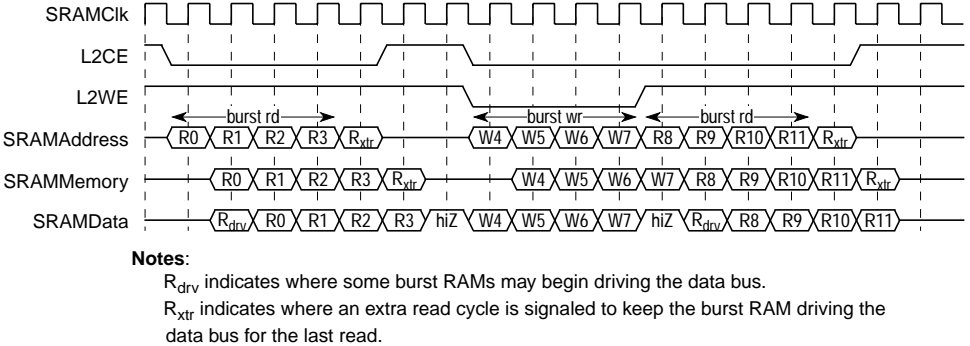


**Figure 9-4. Burst Read-Write-Write L2 Cache Access (Flow-Through)**

**9.1.7.2 Pipelined Burst SRAM**

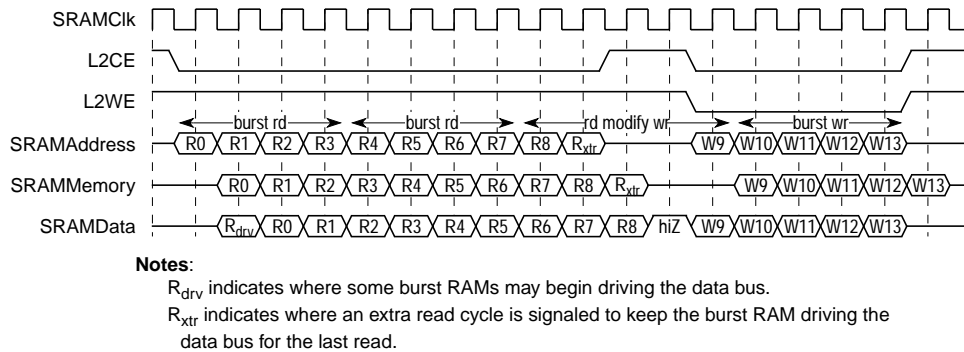
Pipelined burst SRAMs operate at higher frequencies than flow-through burst SRAMs by clocking the read data from the memory array into a buffer before driving the data onto the data bus. This causes initial read accesses by the pipelined burst SRAMs to occur one cycle later than flow-through burst SRAMs, but the L2 bus frequencies supported can be higher. Note that the MPC750's L2 cache interface requires the use of single-cycle deselect pipelined burst SRAM for proper operation.

Figure 9-5 shows a burst read-write-read memory access sequence when the L2 cache interface is configured with pipelined burst SRAM.



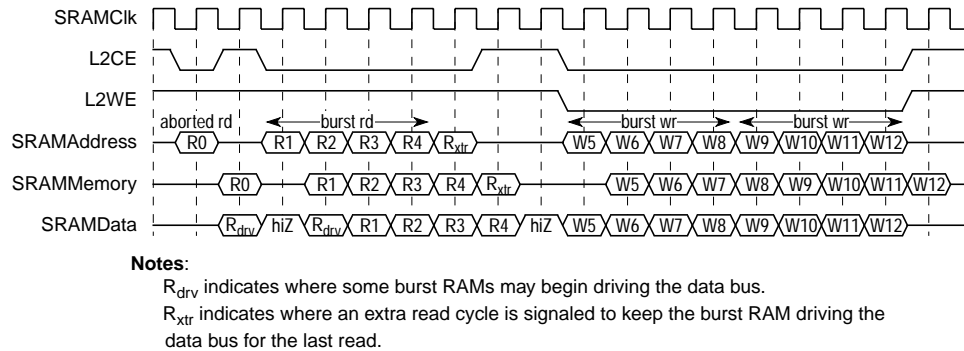
**Figure 9-5. Burst Read-Write-Read L2 Cache Access (Pipelined)**

Figure 9-6 shows a burst read-modify-write memory access sequence when the L2 cache interface is configured with pipelined burst SRAM.



**Figure 9-6. Burst Read-Modify-Write L2 Cache Access (Pipelined)**

Figure 9-7 shows a burst read-write-write memory access sequence when the L2 cache interface is configured with pipelined burst SRAM.

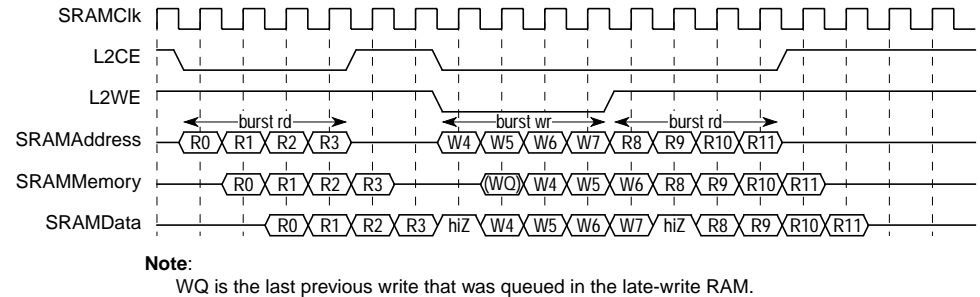


**Figure 9-7. Burst Read-Write-Write L2 Cache Access (Pipelined)**

### 9.1.7.3 Late-Write SRAM

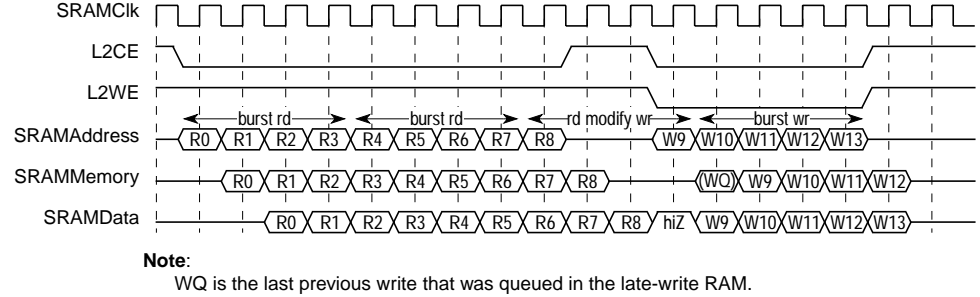
Late-write SRAMs offer improved performance when compared to pipelined burst SRAMs by not requiring an extra read cycle during read operations, and requiring one cycle less when transitioning from a read to write operation. Late-write SRAMs implement an internal write queue, allowing write data to be provided one cycle after the write operation is signaled on the address and control buses. In this way write operations are queued on the address and data bus in the same way as read operations, allowing transitions between read and write operations to occur more efficiently.

Figure 9-8 shows a burst read-write-read memory access sequence when the L2 cache interface is configured with late-write SRAM.



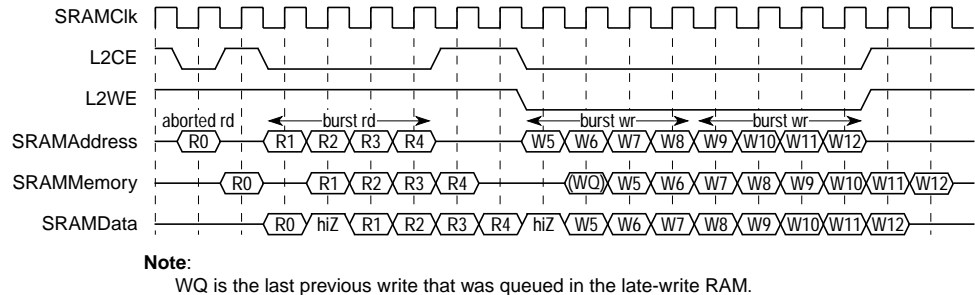
**Figure 9-8. Burst Read-Write-Read L2 Cache Access (Late-Write SRAM)**

Figure 9-9 shows a burst read-modify-write memory access sequence when the L2 cache interface is configured with late-write SRAM.



**Figure 9-9. Burst Read-Modify-Write L2 Cache Access (Late-Write SRAM)**

Figure 9-10 shows a burst read-write-write memory access sequence when the L2 cache interface is configured with late-write SRAM.



**Figure 9-10. Burst Read-Write-Write L2 Cache Access (Late-Write SRAM)**



# Chapter 10

## Power and Thermal Management

The MPC750 microprocessor is specifically designed for low-power operation. It provides both automatic and program-controlled power reduction modes for progressive reduction of power consumption. It also provides a thermal assist unit (TAU) to allow on-chip thermal measurement, allowing sophisticated thermal management for high-performance portable systems. This chapter describes the hardware support provided by the MPC750 for power and thermal management.

### 10.1 Dynamic Power Management

Dynamic power management (DPM) automatically powers up and down the individual execution units of the MPC750, based upon the contents of the instruction stream. For example, if no floating-point instructions are being executed, the floating-point unit is automatically powered down. Power is not actually removed from the execution unit; instead, each execution unit has an independent clock input, which is automatically controlled on a clock-by-clock basis. Since CMOS circuits consume negligible power when they are not switching, stopping the clock to an execution unit effectively eliminates its power consumption. The operation of DPM is completely transparent to software or any external hardware. Dynamic power management is enabled by setting `HID0[DPM]` to 1.

### 10.2 Programmable Power Modes

The MPC750 provides four programmable power states—full power, doze, nap, and sleep. Software selects these modes by setting one (and only one) of the three power saving mode bits in the `HID0` register. Hardware can enable a power management state through external asynchronous interrupts. Such a hardware interrupt causes the transfer of program flow to interrupt handler code that then invokes the appropriate power saving mode. The MPC750 provides a separate interrupt and interrupt vector for power management—the system management interrupt (SMI). The MPC750 also contains a decremter which allows it to enter the nap or doze mode for a predetermined amount of time and then return to full power operation through a decremter interrupt. Note that the MPC750 cannot switch from one power management mode to another without first returning to full-power mode. The sleep mode disables bus snooping; therefore, a hardware handshake is provided to ensure coherency before the MPC750 enters this power management mode. Table 10-1 summarizes the four power states.

**Table 10-1. MPC750 Microprocessor Programmable Power Modes**

PM Mode	Functioning Units	Activation Method	Full-Power Wake Up Method
Full power	All units active	—	—
Full power (with DPM)	Requested logic by demand	By instruction dispatch	—
Doze	<ul style="list-style-type: none"> <li>• Bus snooping</li> <li>• Data cache as needed</li> <li>• Decrementer timer</li> </ul>	Controlled by SW	External asynchronous exceptions* Decrementer interrupt Performance monitor interrupt Thermal management interrupt Reset
Nap	<ul style="list-style-type: none"> <li>• Bus snooping — enabled by deassertion of QACK</li> <li>• Decrementer timer</li> </ul>	Controlled by hardware and software	External asynchronous exceptions Decrementer interrupt Performance monitor interrupt Thermal management interrupt Reset
Sleep	None	Controlled by hardware and software	External asynchronous exceptions Performance monitor interrupt Thermal management interrupt Reset

**Note:** \* Exceptions are referred to as interrupts in the architecture specification.

## 10.2.1 Power Management Modes

The following sections describe the characteristics of the MPC750's power management modes, the requirements for entering and exiting the various modes, and the system capabilities provided by the MPC750 while the power management modes are active.

### 10.2.1.1 Full-Power Mode with DPM Disabled

Full-power mode with DPM disabled is selected when the DPM enable bit (bit 11) in HID0 is cleared.

- Default state following power-up and  $\overline{\text{HRESET}}$
- All functional units are operating at full processor speed at all times.

### 10.2.1.2 Full-Power Mode with DPM Enabled

Full-power mode with DPM enabled (HID0[DPM] = 1) provides on-chip power management without affecting the functionality or performance of the MPC750.

- Required functional units are operating at full processor speed.
- Functional units are clocked only when needed.
- No software or hardware intervention is required after mode is set.
- Software/hardware and performance transparent

### 10.2.1.3 Doze Mode

Doze mode disables most functional units but maintains cache coherency by enabling the bus interface unit and snooping. A snoop hit causes the MPC750 to enable the data cache, copy the data back to memory, disable the cache, and fully return to the doze state.

- Most functional units disabled
- Bus snooping and time base/decrementer still enabled
- Doze mode sequence
  - Set doze bit (HID0[8] = 1), clear nap and sleep bits (HID0[9] and HID0[10] = 0)
  - MPC750 enters doze mode after several processor clocks
- Several methods of returning to full-power mode
  - Assert  $\overline{\text{INT}}$ ,  $\overline{\text{SMI}}$ ,  $\overline{\text{MCP}}$ , decremter, performance monitor, or thermal management interrupts
  - Assert hard reset or soft reset
- Transition to full-power state takes no more than a few processor cycles
- PLL running and locked to SYSCLK

### 10.2.1.4 Nap Mode

The nap mode disables the MPC750 but still maintains the phase-locked loop (PLL), delay locked loop (DLL), L2CLK\_OUTA and L2CLK\_OUTB output signals, and the time base/decrementer. The time base can be used to restore the MPC750 to full-power state after a programmed amount of time. To maintain data coherency, bus snooping is disabled for nap and sleep modes through a hardware handshake sequence using the quiesce request ( $\overline{\text{QREQ}}$ ) and quiesce acknowledge ( $\overline{\text{QACK}}$ ) signals. The MPC750 asserts the  $\overline{\text{QREQ}}$  signal to indicate that it is ready to disable bus snooping. When the system has ensured that snooping is no longer necessary, it will assert  $\overline{\text{QACK}}$  and the MPC750 will enter the nap mode. If the system determines that a bus snoop cycle is required,  $\overline{\text{QACK}}$  is deasserted to the MPC750 for at least eight bus clock cycles, and the MPC750 will then be able respond to a snoop cycle. Assertion of  $\overline{\text{QACK}}$  following the snoop cycle will again disable the MPC750's snoop capability. The MPC750's power dissipation while in nap mode with  $\overline{\text{QACK}}$  deasserted is the same as the power dissipation while in doze mode.

Note that when in nap mode the DLL should be kept locked to enable a quick recovery to full-power mode without having to wait for the DLL to re-lock. Additionally, an L2ZZ signal is provided by the MPC750's L2 cache interface to drive external SRAM into a low power mode when the nap or sleep modes are invoked. The L2ZZ signal is enabled by setting the L2CR[CTL] bit to 1. Note that if bus snooping is to be performed through deassertion of the  $\overline{\text{QACK}}$  signal, the L2CR[CTL] bit should always be cleared to 0.

- Time base/decrementer still enabled
- Most functional units disabled
- All nonessential input receivers disabled

- Nap mode sequence
  - Set nap bit (HID0[9] = 1), clear doze and sleep bits (HID0[8] and HID0[10] = 0)
  - MPC750 asserts quiesce request ( $\overline{QREQ}$ ) signal
  - System asserts quiesce acknowledge ( $\overline{QACK}$ ) signal
  - MPC750 enters sleep mode after several processor clocks
- Nap mode bus snoop sequence
  - System deasserts  $\overline{QACK}$  signal for eight or more bus clock cycles
  - MPC750 snoops address tenure(s) on bus
  - System asserts  $\overline{QACK}$  signal to restore full nap mode
- Several methods of returning to full-power mode
  - Assert  $\overline{INT}$ ,  $\overline{SMI}$ ,  $\overline{MCP}$ , decremter, performance monitor, or thermal management interrupts
  - Assert hard reset or soft reset
- Transition to full-power takes no more than a few processor cycles
- PLL and DLL running and locked to SYSCLK

#### 10.2.1.5 Sleep Mode

Sleep mode consumes the least amount of power of the four modes since all functional units are disabled. To conserve the maximum amount of power, the PLL may be disabled by placing the PLL\_CFG signals in the PLL bypass mode, and disabling SYSCLK. Note that forcing the SYSCLK signal into a static state does not disable the MPC750's PLL, which will continue to operate internally at an undefined frequency unless placed in PLL bypass mode. Additionally, if the PLL is not disabled, the L2 cache interface DLL will remain locked and the L2CLK\_OUTA and L2CLK\_OUTB signals will remain active. The DLL is disabled by clearing the L2CR[L2E] bit to 0.

Due to the fully static design of the MPC750, internal processor state is preserved when no internal clock is present. Because the time base and decremter are disabled while the MPC750 is in sleep mode, the MPC750's time base contents will have to be updated from an external time base after exiting sleep mode if maintaining an accurate time-of-day is required. Before entering the sleep mode, the MPC750 asserts the  $\overline{QREQ}$  signal to indicate that it is ready to disable bus snooping. When the system has ensured that snooping is no longer necessary, it asserts  $\overline{QACK}$  and the MPC750 will enter sleep mode.

- All functional units disabled (including bus snooping and time base)
- All nonessential input receivers disabled
  - Internal clock regenerators disabled
  - PLL and DLL still running (see below)

- Sleep mode sequence
  - Set sleep bit (HID0[10] = 1), clear doze and nap bits (HID0[8] and HID0[9])
  - MPC750 asserts quiesce request ( $\overline{QREQ}$ )
  - System asserts quiesce acknowledge ( $\overline{QACK}$ )
  - MPC750 enters sleep mode after several processor clocks
- Several methods of returning to full-power mode
  - Assert  $\overline{INT}$ ,  $\overline{SMI}$ , or  $\overline{MCP}$  interrupts
  - Assert hard reset or soft reset
- PLL and DLL may be disabled and SYSCLK may be removed while in sleep mode
- Return to full-power mode after PLL and SYSCLK are disabled in sleep mode
  - Enable SYSCLK
  - Reconfigure PLL into desired processor clock mode
  - System logic waits for PLL startup and relock time (100  $\mu$ sec)
  - System logic asserts one of the sleep recovery signals (for example, INT or SMI)
  - Reconfigure DLL, wait for DLL relock (640 L2 clock cycles) and re-enable L2 cache through the L2CR

### 10.2.2 Power Management Software Considerations

Since the MPC750 is a dual-issue processor with out-of-order execution capability, care must be taken in how the power management mode is entered. Furthermore, nap and sleep modes require all outstanding bus operations to be completed before these power management modes are entered. Normally, during system configuration time, one of the power management modes would be selected by setting the appropriate HID0 mode bit. Later on, the power management mode is invoked by setting the MSR[POW] bit. To ensure a clean transition into and out of a power management mode, set the MSR[EE] bit to 1 and execute the following code sequence:

```

sync
mtmsr[POW = 1]
isync
loop:  b loop

```

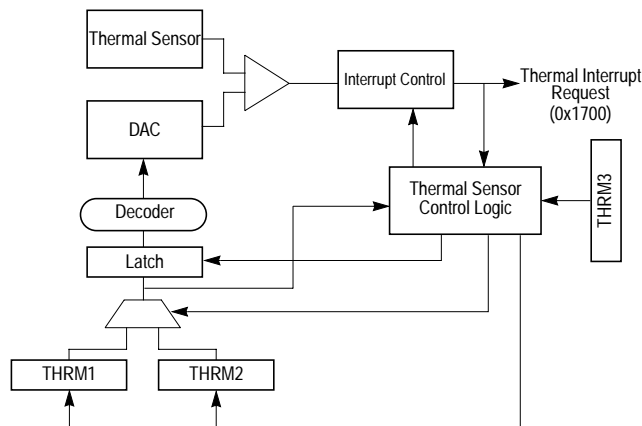
## 10.3 Thermal Assist Unit

With the increasing power dissipation of high-performance processors and operating conditions that span a wider range of temperatures than desktop systems, thermal management becomes an essential part of system design to ensure reliable operation of portable systems. One key aspect of thermal management is ensuring that the junction temperature of the microprocessor does not exceed the operating specification. While the case temperature can be measured with an external thermal sensor, the thermal constant from the junction to the case can be large, and accuracy can be a problem. This may lead to lower overall system performance due to the necessary compensation to alleviate measurement deficiencies.

The MPC750 provides the system designer an efficient means of monitoring junction temperature through the incorporation of an on-chip thermal sensor and programmable control logic to enable a thermal management implementation tightly coupled to the processor for improved performance and reliability.

### 10.3.1 Thermal Assist Unit Overview

The on-chip thermal assist unit (TAU) is composed of a thermal sensor, a digital-to-analog converter (DAC), a comparator, control logic, and three dedicated SPRs. See Figure 10-1 for a block diagram of the TAU.



**Figure 10-1. Thermal Assist Unit Block Diagram**

The TAU provides thermal control by periodically comparing the MPC750's junction temperature against user-programmed thresholds, and generating a thermal management interrupt if the threshold values are crossed. The TAU also enables the user to determine the junction temperature through a software successive approximation routine.

The TAU is controlled through three supervisor-level SPRs, accessed through the **mtspr/ mfspr** instructions. Two of the SPRs (THRM1 and THRM2) provide temperature threshold values that can be compared to the junction temperature value, and control bits that enable comparison and thermal interrupt generation. The third SPR (THRM3) provides a TAU enable bit and a sample interval timer. Note that all the bits in THRM1, THRM2, and THRM3 are cleared to 0 during a hard reset, and the TAU remains idle and in a low-power state until configured and enabled.

The bit fields in the THRM1 and THRM2 SPRs are described in Table 10-2.

**Table 10-2. THRM1 and THRM2 Bit Field Settings**

Bits	Field	Description
0	TIN	Thermal management interrupt bit. Read only. This bit is set if the thermal sensor output crosses the threshold specified in the SPR. The state of this bit is valid only if TIV is set. The interpretation of the TIN bit is controlled by the TID bit.
1	TIV	Thermal management interrupt valid. Read only. This bit is set by the thermal assist logic to indicate that the thermal management interrupt (TIN) state is valid.
2–8	Threshold	Threshold value that the output of the thermal sensor is compared to. The threshold range is between 0° and 127° C, and each bit represents 1° C. Note that this is not the resolution of the thermal sensor.
9–28	—	Reserved. System software should clear these bits to 0.
29	TID	Thermal management interrupt direction bit. Selects the result of the temperature comparison to set TIN. If TID is cleared to 0, TIN is set and an interrupt occurs if the junction temperature exceeds the threshold. If TID is set to 1, TIN is set and an interrupt is indicated if the junction temperature is below the threshold.
30	TIE	Thermal management interrupt enable. Enables assertion of the thermal management interrupt signal. The thermal management interrupt is maskable by the MSR[EE] bit. If TIE is cleared to 0 and THRM $n$ is valid, the TIN bit records the status of the junction temperature vs. threshold comparison without asserting an interrupt signal. This feature allows system software to make a successive approximation to estimate the junction temperature.
31	V	SPR valid bit. This bit is set to indicate that the SPR contains a valid threshold, TID, and TIE controls bits. Setting THRM1/2[V] and THRM3[E] to 1 enables operation of the thermal sensor.

The bit fields in the THRM3 SPR are described in Table 10-3.

**Table 10-3. THRM3 Bit Field Settings**

Bits	Name	Description
0–17	—	Reserved for future use. System software should clear these bits to 0.
18–30	SITV	Sample interval timer value. Number of elapsed processor clock cycles before a junction temperature vs. threshold comparison result is sampled for TIN bit setting and interrupt generation. This is necessary due to the thermal sensor, DAC, and the analog comparator settling time being greater than the processor cycle time. The value should be configured to allow a sampling interval of 20 microseconds.
31	E	Enables the thermal sensor compare operation if either THRM1[V] or THRM2[V] is set to 1.

## 10.3.2 Thermal Assist Unit Operation

The TAU can be programmed to operate in single or dual threshold modes, which results in the TAU generating a thermal management interrupt when one or both threshold values are crossed. In addition, with the appropriate software routine, the TAU can also directly determine the junction temperature. The following sections describe the configuration of the TAU to support these modes of operation.

### 10.3.2.1 TAU Single Threshold Mode

When the TAU is configured for single threshold mode, either THRM1 or THRM2 can be used to contain the threshold value, and a thermal management interrupt is generated when the threshold value is crossed. To configure the TAU for single threshold operation, set the desired temperature threshold, TID, TIE, and V bits for either THRM1 or THRM2. The unused THRM $n$  threshold SPR should be disabled by clearing the V bit to 0. In this discussion THRM $n$  refers to the THRM threshold SPR (THRM1 or THRM2) selected to contain the active threshold value.

After setting the desired operational parameters, the TAU is enabled by setting the THRM3[E] bit to 1, and placing a value allowing a sample interval of 20 microseconds or greater in the THRM3[SITV] field. The THRM3[SITV] setting determines the number of processor clock cycles between input to the DAC and sampling of the comparator output; accordingly, the use of a value smaller than recommended in the THRM3[SITV] field can cause inaccuracies in the sensed temperature.

If the junction temperature does not cross the programmed threshold, the THRM $n$ [TIN] bit is cleared to 0 to indicate that no interrupt is required, and the THRM $n$ [TIV] bit is set to 1 to indicate that the TIN bit state is valid. If the threshold value has been crossed, the THRM $n$ [TIN] and THRM $n$ [TIV] bits are set to 1, and a thermal management interrupt is generated if both the THRM $n$ [TIE] and MSR[EE] bits are set to 1.

A thermal management interrupt is held asserted internally until recognized by the MPC750's interrupt unit. Once a thermal management interrupt is recognized, further temperature sampling is suspended, and the THRM $n$ [TIN] and THRM $n$ [TIV] values are held until an **mtspr** instruction is executed to THRM $n$ .

The execution of an **mtspr** instruction to THRM $n$  anytime during TAU operation will clear the THRM $n$ [TIV] bit to 0 and restart the temperature comparison. Executing an **mtspr** instruction to THRM3 will clear both THRM1[TIV] and THRM2[TIV] bits to 0, and restart temperature comparison in THRM $n$  if the THRM3[E] bit is set to 1.

Examples of valid THRM1 and THRM2 bit settings are shown in Table 10-4.



**Table 10-4. Valid THRM1 and THRM2 Bit Settings**

TIN <sup>1</sup>	TIV <sup>1</sup>	TID	TIE	V	Description
x	x	x	x	0	The threshold in the SPR will not be used for comparison.
x	x	x	0	1	Threshold is used for comparison, thermal management interrupt assertion is disabled.
x	x	0	0	1	Set TIN and do not assert thermal management interrupt if the junction temperature exceeds the threshold.
x	x	0	1	1	Set TIN and assert thermal management interrupt if the junction temperature exceeds the threshold.
x	x	1	0	1	Set TIN and do not assert thermal management interrupt if the junction temperature is less than the threshold.
x	x	1	1	1	Set TIN and assert thermal management interrupt if the junction temperature is less than the threshold.
x	0	x	x	1	The state of the TIN bit is not valid.
0	1	0	x	1	The junction temperature is less than the threshold and as a result the thermal management interrupt is not generated for TIE = 1.
1	1	0	x	1	The junction temperature is greater than the threshold and as a result the thermal management interrupt is generated if TIE = 1.
0	1	1	x	1	The junction temperature is greater than the threshold and as a result the thermal management interrupt is not generated for TIE = 1.
1	1	1	x	1	The junction temperature is less than the threshold and as a result the thermal management interrupt is generated if TIE = 1.

**Note:** <sup>1</sup>The TIN and TIV bits are read-only status bits.

### 10.3.2.2 TAU Dual-Threshold Mode

The configuration and operation of the TAU's dual-threshold mode is similar to single threshold mode, except both THRM1 and THRM2 are configured with desired threshold and TID values, and the TIE and V bits are set to 1. When the THRM3[E] bit is set to 1 to enable temperature measurement and comparison, the first comparison is made with THRM1. If no thermal management interrupt results from the comparison, the number of processor cycles specified in THRM3[SITV] elapses, and the next comparison is made with THRM2. If no thermal management interrupt results from the THRM2 comparison, the time specified by THRM3[SITV] again elapses, and the comparison returns to THRM1.

This sequence of comparisons continues until a thermal management interrupt occurs, or the TAU is disabled. When a comparison results in an interrupt, the comparison with the threshold SPR causing the interrupt is halted, but comparisons continue with the other threshold SPR. Following a thermal management interrupt, the interrupt service routine must read both THRM1 and THRM2 to determine which threshold was crossed. Note that it is possible for both threshold values to have been crossed, in which case the TAU ceases making temperature comparisons until an **mtspr** instruction is executed to one or both of the threshold SPRs.

### 10.3.2.3 MPC750 Junction Temperature Determination

While the MPC750's TAU does not implement an analog-to-digital converter to enable the direct determination of the junction temperature, system software can execute a simple successive approximation routine to find the junction temperature.

The TAU configuration used to approximate the junction temperature is the same required for single-threshold mode, except that the threshold SPR selected has its TIE bit cleared to 0 to disable thermal management interrupt generation. Once the TAU is enabled, the successive approximation routine loads a threshold value into the active threshold SPR, and then continuously polls the threshold SPRs TIV bit until it is set to 1, indicating a valid TIN bit. The successive approximation routine can then evaluate the TIN bit value, and then increment or decrement the threshold value for another comparison. This process is continued until the junction temperature is determined.

### 10.3.2.4 Power Saving Modes and TAU Operation

The static power saving modes provided by the MPC750 (the nap, doze, and sleep modes) allow the temperature of the processor to be lowered quickly, and can be invoked through the use of the TAU and associated thermal management interrupt. The TAU remains operational in the nap and doze modes, and in sleep mode as long as the SYSCLK signal input remains active. If the SYSCLK signal is made static when sleep mode is invoked, the TAU is rendered inactive. If the MPC750 is entering sleep mode with SYSCLK disabled, the TAU should be configured to disable thermal management interrupts to avoid an unwanted thermal management interrupt when the SYSCLK input signal is restored.

## 10.4 Instruction Cache Throttling

The MPC750 provides an instruction cache throttling mechanism to effectively reduce the instruction execution rate without the complexity and overhead of dynamic clock control. Instruction cache throttling, when used in conjunction with the TAU and the dynamic power management capability of the MPC750, provides the system designer with a flexible means of controlling device temperature while allowing the processor to continue operating.

The instruction cache throttling mechanism simply reduces the instruction forwarding rate from the instruction cache to the instruction dispatcher. Normally, the instruction cache forwards four instructions to the instruction dispatcher every clock cycle if all the instructions hit in the cache. For thermal management the MPC750 provides a supervisor-level instruction cache throttling control (ICTC) SPR. The instruction forwarding rate is reduced by writing a nonzero value into the ICTC[FI] field, and enabling instruction cache throttling by setting the ICTC[E] bit to 1. The overall junction temperature reduction results from dynamic power management reducing the power to the execution units while waiting for instructions to be forwarded from the instruction cache; thus, instruction cache throttling does not provide thermal reduction unless HID0[DPM] is set to 1. Note that during instruction cache throttling the configuration of the PLL and DLL remain unchanged.

The bit field settings of the ICTC SPR are shown in Table 10-5.

**Table 10-5. ICTC Bit Field Settings**

Bits	Name	Description
23–30	FI	Instruction forwarding interval expressed in processor clocks. 0x00—0 clock cycle 0x01—1 clock cycle : 0xFF—255 clock cycles
31	E	Cache throttling enable 0 Disable instruction cache throttling. 1 Enable instruction cache throttling.



# Chapter 11

## Performance Monitor

The performance monitor facility provides the ability to monitor and count predefined events such as processor clocks, misses in the instruction cache, data cache, or L2 cache, types of instructions dispatched, mispredicted branches, and other occurrences. The count of such events (which may be an approximation) can be used to trigger the performance monitor exception. The performance monitor facility is not defined by the PowerPC architecture.

The performance monitor can be used for the following:

- To increase system performance with efficient software, especially in a multiprocessing system. Memory hierarchy behavior may be monitored and studied in order to develop algorithms that schedule tasks (and perhaps partition them) and that structure and distribute data optimally.
- To improve processor architecture, the detailed behavior of the MPC750's structure must be known and understood in many software environments. Some environments may not be easily characterized by a benchmark or trace.
- To help system developers bring up and debug their systems.

The performance monitor uses the following MPC750-specific special-purpose registers (SPRs):

- The performance monitor counter registers (PMC1–PMC4) are used to record the number of times a certain event has occurred. UPMC1–UPMC4 provide user-level read access to these registers.
- The monitor mode control registers (MMCR0–MMCR1) are used to enable various performance monitor interrupt functions and select events to count. UMMCR0–UMMCR1 provide user-level read access to these registers.
- The sampled instruction address register (SIA) contains the effective address of an instruction executing at or around the time that the processor signals the performance monitor interrupt condition. USIA provides user-level read access to the SIA.

Four 32-bit counters in the MPC750 count occurrences of software-selectable events. Two control registers (MMCR0 and MMCR1) are used to control performance monitor operation. The counters and the control registers are supervisor-level SPRs; however, in the MPC750, the contents of these registers can be read by user-level software using separate SPRs (UMMCR0 and UMMCR1). Control fields in the MMCR0 and MMCR1 select the events to be counted, can enable a counter overflow to initiate a performance monitor exception, and specify the conditions under which counting is enabled.

As with other PowerPC exceptions, the performance monitor interrupt follows the normal PowerPC exception model with a defined exception vector offset (0x00F00). Its priority is below the external interrupt and above the decremter interrupt.

## 11.1 Performance Monitor Interrupt

The performance monitor provides the ability to generate a performance monitor interrupt triggered by a counter overflow condition in one of the performance monitor counter registers (PMC1–PMC4), shown in Figure 11-3. A counter is considered to have overflowed when its most-significant bit is set. A performance monitor interrupt may also be caused by the flipping from 0 to 1 of certain bits in the time base register, which provides a way to generate a time reference-based interrupt.

Although the interrupt signal condition may occur with MSR[EE] = 0, the actual exception cannot be taken until MSR[EE] = 1.

As a result of a performance monitor exception being signaled, the action taken depends on the type of event that caused the condition, which are as follows:

- **Threshold-related events**—When a threshold event signals a performance monitor exception, the addresses of the instruction that caused the counter to overflow is saved in the SIA register.
- **Programmable events**—To help track which part of the code was being executed when an exception was signaled, the address of the last completed instruction during that cycle is saved in the SIA.

Exception handling for the performance monitor interrupt exception is described in Section 4.5.13, “Performance Monitor Interrupt (0x00F00).”

## 11.2 Special-Purpose Registers Used by Performance Monitor

The performance monitor incorporates the SPRs listed in Table 11-1. All of these supervisor-level registers are accessed through **mtspr** and **mfspir** instructions. The following table shows more information about all performance monitor SPRs.

**Table 11-1. Performance Monitor SPRs**

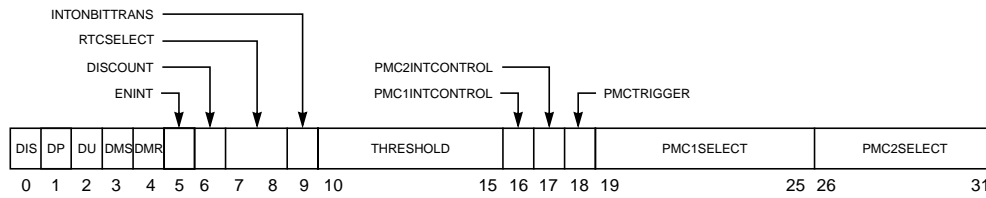
SPR Number	spr[5-9]    spr[0-4]	Register Name	Access Level
952	0b11101 11000	MMCR0	Supervisor
953	0b11101 11001	PMC1	Supervisor
954	0b11101 11010	PMC2	Supervisor
955	0b11101 11011	SIA	Supervisor
956	0b11101 11100	MMCR1	Supervisor
957	0b11101 11101	PMC3	Supervisor
958	0b11101 11110	PMC4	Supervisor
936	0b11101 01000	UMMCR0	User (read only)
937	0b11101 01001	UPMC1	User (read only)
938	0b11101 01010	UPMC2	User (read only)
939	0b11101 01011	USIA	User (read only)
940	0b11101 01100	UMMCR1	User (read only)
941	0b11101 01101	UPMC3	User (read only)
942	0b11101 01110	UPMC4	User (read only)

### 11.2.1 Performance Monitor Registers

This section describes the registers used by the performance monitor.

#### 11.2.1.1 Monitor Mode Control Register 0 (MMCR0)

The monitor mode control register 0 (MMCR0), shown in Figure 11-1, is a 32-bit SPR provided to specify events to be counted and recorded. MMCR0 can be written to only in supervisor mode. User-level software can read the contents of MMCR0 by issuing an **mfspir** instruction to UMMCR0, described in Section 11.2.1.2, “User Monitor Mode Control Register 0 (UMMCR0).”



**Figure 11-1. Monitor Mode Control Register 0 (MMCR0)**

This register must be cleared at power up. Reading this register does not change its contents. Table 11-2 describes the bits of the MMCR0 register.

**Table 11-2. MMCR0 Bit Settings**

Bit	Name	Description
0	DIS	Disables counting unconditionally. 0 The values of the PMC $n$ counters can be changed by hardware. 1 The values of the PMC $n$ counters cannot be changed by hardware.
1	DP	Disables counting while in supervisor mode. 0 The PMC $n$ counters can be changed by hardware. 1 If the processor is in supervisor mode (MSR[PR] is cleared), the counters are not changed by hardware.
2	DU	Disables counting while in user mode. 0 The PMC $n$ counters can be changed by hardware. 1 If the processor is in user mode (MSR[PR] is set), the PMC $n$ counters are not changed by hardware.
3	DMS	Disables counting while MSR[PM] is set. 0 The PMC $n$ counters can be changed by hardware. 1 If MSR[PM] is set, the PMC $n$ counters are not changed by hardware.
4	DMR	Disables counting while MSR[PM] is zero. 0 The PMC $n$ counters can be changed by hardware. 1 If MSR[PM] is cleared, the PMC $n$ counters are not changed by hardware.
5	ENINT	Enables performance monitor interrupt signaling. 0 Interrupt signaling is disabled. 1 Interrupt signaling is enabled. Cleared by hardware when a performance monitor interrupt is signaled. To re-enable these interrupt signals, software must set this bit after servicing the performance monitor interrupt. The IPL ROM code clears this bit before passing control to the operating system.
6	DISCOUNT	Disables counting of PMC $n$ when a performance monitor interrupt is signaled (that is, ((PMC $n$ INTCONTROL = 1) & (PMC $n$ [0] = 1) & (ENINT = 1)) or the occurrence of an enabled time base transition with ((INTONBITTRANS = 1) & (ENINT = 1)). 0 Signaling a performance monitor interrupt does not affect counting status of PMC $n$ . 1 The signaling of a performance monitor interrupt prevents changing of PMC1 counter. The PMC $n$ counter does not change if PMC2COUNTCTL = 0. Because a time base signal could have occurred along with an enabled counter overflow condition, software should always reset INTONBITTRANS to zero, if the value in INTONBITTRANS was a one.



**Table 11-2. MMCR0 Bit Settings (Continued)**

Bit	Name	Description
7–8	RTCSELECT	64-bit time base, bit selection enable 00 Pick bit 63 to count 01 Pick bit 55 to count 10 Pick bit 51 to count 11 Pick bit 47 to count
9	INTONBITTRANS	Causes interrupt signaling on bit transition (identified in RTCSELECT) from off to on. 0 Do not allow interrupt signal on the transition of a chosen bit. 1 Signal interrupt on the transition of a chosen bit. Software is responsible for setting and clearing INTONBITTRANS.
10–15	THRESHOLD	Threshold value. All 6 bits are supported by the MPC750; allowing threshold values from 0 to 63. The intent of the THRESHOLD support is to characterize L1 data cache misses.
16	PMC1INTCONTROL	Enables interrupt signaling due to PMC1 counter overflow. 0 Disable PMC1 interrupt signaling due to PMC1 counter overflow. 1 Enable PMC1 interrupt signaling due to PMC1 counter overflow.
17	PMCINTCONTROL	Enable interrupt signaling due to any PMC2–PMC4 counter overflow. Overrides the setting of DISCOUNT. 0 Disable PMC2–PMC4 interrupt signaling due to PMC2–PMC4 counter overflow. 1 Enable PMC2–PMC4 interrupt signaling due to PMC2–PMC4 counter overflow.
18	PMCTRIGGER	Can be used to trigger counting of PMC2–PMC4 after PMC1 has overflowed or after a performance monitor interrupt is signaled. 0 Enable PMC2–PMC4 counting. 1 Disable PMC2–PMC4 counting until either PMC1[0] = 1 or a performance monitor interrupt is signaled.
19–25	PMC1SELECT	PMC1 input selector, 128 events selectable; 25 defined. See Table 11-5.
26–31	PMC2SELECT	PMC2 input selector, 64 events selectable; 21 defined. See Table 11-6.

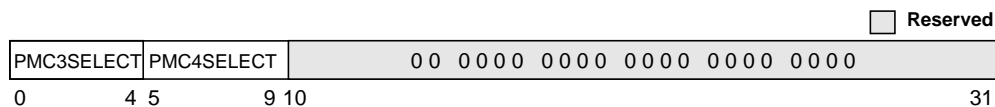
MMCR0 can be accessed with the **mtspr** and **mfspir** instructions using SPR 952.

### 11.2.1.2 User Monitor Mode Control Register 0 (UMMCR0)

The contents of MMCR0 are reflected to UMMCR0, which can be read by user-level software. UMMCR0 can be accessed with the **mfspir** instructions using SPR 936.

### 11.2.1.3 Monitor Mode Control Register 1 (MMCR1)

The monitor mode control register 1 (MMCR1) functions as an event selector for performance monitor counter registers 3 and 4 (PMC3 and PMC4). The MMCR1 register is shown in Figure 11-2.



**Figure 11-2. Monitor Mode Control Register 1 (MMCR1)**

Bit settings for MMCR1 are shown in Table 11-3. The corresponding events are described in Section 11.2.1.5, “Performance Monitor Counter Registers (PMC1–PMC4).”

**Table 11-3. MMCR1 Bit Settings**

Bits	Name	Description
0–4	PMC3SELECT	PMC3 input selector. 32 events selectable. See Table 11-7 for defined selections.
5–9	PMC4SELECT	PMC4 input selector. 32 events selectable. See Table 11-8 for defined selections.
10–31	—	Reserved

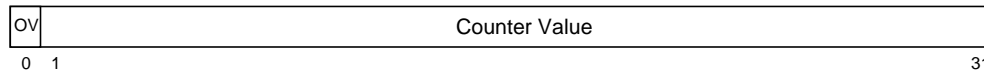
MMCR1 can be accessed with the **mtspr** and **mf spr** instructions using SPR 956. User-level software can read the contents of MMCR1 by issuing an **mf spr** instruction to UMMCR1, described in Section 11.2.1.4, “User Monitor Mode Control Register 1 (UMMCR1).”

#### 11.2.1.4 User Monitor Mode Control Register 1 (UMMCR1)

The contents of MMCR1 are reflected to UMMCR1, which can be read by user-level software. UMMCR1 can be accessed with the **mf spr** instructions using SPR 940.

#### 11.2.1.5 Performance Monitor Counter Registers (PMC1–PMC4)

PMC1–PMC4, shown in Figure 11-3, are 32-bit counters that can be programmed to generate interrupt signals when they overflow.



**Figure 11-3. Performance Monitor Counter Registers (PMC1–PMC4)**

The bits contained in the PMC registers are described in Table 11-4.

**Table 11-4. PMC<sub>n</sub> Bit Settings**

Bits	Name	Description
0	OV	Overflow. When this bit is set, it indicates this counter has reached its maximum value.
1–31	Counter value	Indicates the number of occurrences of the specified event.

Counters overflow when the high-order bit (the sign bit) becomes set; that is, they reach the value 2147483648 (0x8000\_0000). However, an interrupt is not signaled unless both MMCR0[ENINT] and either PMC1INTCONTROL or PMCINTCONTROL in the MMCR0 register are also set as appropriate.

Note that the interrupts can be masked by clearing MSR[EE]; the interrupt signal condition may occur with MSR[EE] cleared, but the exception is not taken until MSR[EE] is set. Setting MMCR0[DISCOUNT] forces counters to stop counting when a counter interrupt occurs.

Software is expected to use the **mtspr** instruction to explicitly set PMC to non-overflowed values. Setting an overflowed value may cause an erroneous exception. For example, if both MMCR0[ENINT] and either PMC1INTCONTROL or PMCINTCONTROL are set and the **mtspr** instruction loads an overflow value, an interrupt signal may be generated without an event counting having taken place.

The event to be monitored can be chosen by setting MMCR0[19–31]. The selected events are counted beginning when MMCR0 is set until either MMCR0 is reset or a performance monitor interrupt is generated. Table 11-5 lists the selectable events and their encodings.

**Table 11-5. PMC1 Events—MMCR0[19–25] Select Encodings**

Encoding	Description
000 0000	Register holds current value.
000 0001	Number of processor cycles
000 0010	Number of instructions that have completed. Does not include folded branches.
0000011	Number of transitions from 0 to 1 of specified bits in time base lower register. Bits are specified through RTCSELECT, MMRC0[7–8]. 00 = 15, 01 = 19, 10 = 23, 11 = 31
0000100	Number of instructions dispatched—0, 1, or 2 instructions per cycle
0000101	Number of <b>eieio</b> instructions completed
0000110	Number of cycles spent performing table search operations for the ITLB
0000111	Number of accesses that hit the L2
0001000	Number of valid instruction EAs delivered to the memory subsystem
0001001	Number of times the address of an instruction being completed matches the address in the IABR
0001010	Number of loads that miss the L1 with latencies that exceeded the threshold value
0001011	Number of branches that are unresolved when processed
0001100	Number of cycles the dispatcher stalls due to a second unresolved branch in the instruction stream
All others	Reserved. May be used in a later revision.

Bits MMCR0[26–31] specify events associated with PMC2, as shown in Table 11-6.

**Table 11-6. PMC2 Events—MMCR0[26–31] Select Encodings**

Encoding	Description
00 0000	Register holds current value.
00 0001	Number of processor cycles
00 0010	Number of instructions that have completed. Does not include folded branches
00 0011	Number of transitions from 0 to 1 of specified bits in time base lower register. Bits are specified through RTCSELECT, MMRC0[7-8]. 00 = 15, 01 = 19, 10 = 23, 11 = 31.
00 0100	Number of instructions dispatched. 0, 1, or 2 instructions per cycle
00 0101	Number of <b>eieio</b> instructions completed

**Table 11-6. PMC2 Events—MMCR0[26–31] Select Encodings (Continued)**

Encoding	Description
00 0110	Number of cycles spent performing table search operations for the ITLB
00 0111	Number of accesses that hit the L2
00 1000	Number of valid instruction EAs delivered to the memory subsystem
00 1001	Number of times that the address of an instruction being completed matches the address in the IABR
00 1010	Number of loads that miss the L1 and have latencies that exceeded the threshold value
00 1011	Number of branches that are unresolved when processed
00 1100	Number of cycles the dispatcher stalls due to a second unresolved branch in the instruction stream
All others	Reserved. May be used in a later revision.

Bits MMCR1[0–4] specify events associated with PMC3, as shown in Table 11-7.

**Table 11-7. PMC3 Events—MMCR1[0–4] Select Encodings**

Encoding	Description
0 0000	Register holds current value.
0 0001	Number of processor cycles
0 0010	Number of completed instructions, not including folded branches.
0 0011	Number of TBL bit transitions from 0 to 1 of specified bits in time base lower register. Bits are specified through RTCSELECT (MMRC0[7–8]). 0 = 47, 1 = 51, 2 = 55, 3 = 63.
0 0100	Number of instructions dispatched. 0, 1, or 2 per cycle.
0 0101	Number of L1 data cache misses
0 0110	Number of DTLB misses
0 0111	Number of L2 data misses
0 1000	Number of taken branches, including predicted branches.
0 1001	Number of transitions between marked and unmarked processes while in user mode. That is, the number of MSR[PM] toggles while the processor is in user mode.
0 1010	Number of store conditional instructions completed
0 1011	Number of instructions completed from the FPU
0 1100	Number of L2 castouts caused by snoops to modified lines
0 1101	Number of cache operations that hit in the L2 cache
0 1110	Reserved
0 1111	Number of cycles generated by L1 load misses
1 0000	Number of branches in the second speculative stream that resolve correctly
1 0001	Number of cycles the BPU stalls due to LR or CR unresolved dependencies
All others	Reserved. May be used in a later revision.

Bits MMCR1[5–9] specify events associated with PMC4, as shown in Table 11-8.

**Table 11-8. PMC4 Events—MMCR1[5–9] Select Encodings**

Encoding	Comments
00000	Register holds current value
00001	Number of processor cycles
00010	Number of completed instructions, not including folded branches
00011	Number of TBL bit transitions from 0 to 1 of specified bits in time-base lower register. Bits are specified through RTCSELECT (MMRC0[7–8]). 0 = 47, 1 = 51, 2 = 55, 3 = 63.
00100	Number of instructions dispatched. 0, 1, or 2 per cycle
00101	Number of L2 castouts
00110	Number of cycles spent performing table searches for DTLB accesses.
00111	Reserved. May be used in a later revision.
01000	Number of mispredicted branches
01001	Number of transitions between marked and unmarked processes while in user mode. That is, the number of MSR[PM] toggles while the processor is in supervisor mode.
01010	Number of store conditional instructions completed with reservation intact
01011	Number of completed <b>sync</b> instructions
01100	Number of snoop request retries
01101	Number of completed integer operations
01110	Number of cycles the BPU cannot process new branches due to having two unresolved branches
All others	Reserved. May be used in a later revision.

The PMC registers can be accessed with the **mtspr** and **mfspr** instructions using the following SPR numbers:

- PMC1 is SPR 953
- PMC2 is SPR 954
- PMC3 is SPR 957
- PMC4 is SPR 958

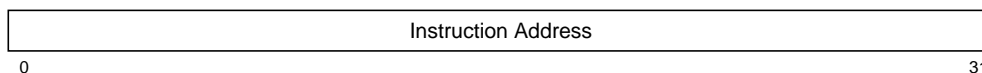
### 11.2.1.6 User Performance Monitor Counter Registers (UPMC1–UPMC4)

The contents of the PMC1–PMC4 are reflected to UPMC1–UPMC4, which can be read by user-level software. The UPMC registers can be read with the **mf spr** instructions using the following SPR numbers:

- UPMC1 is SPR 937
- UPMC2 is SPR 938
- UPMC3 is SPR 941
- UPMC4 is SPR 942

### 11.2.1.7 Sampled Instruction Address Register (SIA)

The sampled instruction address register (SIA) is a supervisor-level register that contains the effective address of an instruction executing at or around the time that the processor signals the performance monitor interrupt condition. The SIA is shown in Figure 11-4.



**Figure 11-4. Sampled instruction Address Registers (SIA)**

If the performance monitor interrupt is triggered by a threshold event, the SIA contains the address of the exact instruction (called the sampled instruction) that caused the counter to overflow.

If the performance monitor interrupt was caused by something besides a threshold event, the SIA contains the address of the last instruction completed during that cycle. SIA can be accessed with the **mtspr** and **mf spr** instructions using SPR 955.

### 11.2.1.8 User Sampled Instruction Address Register (USIA)

The contents of SIA are reflected to USIA, which can be read by user-level software. USIA can be accessed with the **mf spr** instructions using SPR 939.

## 11.3 Event Counting

Counting can be enabled if conditions in the processor state match a software-specified condition. Because a software task scheduler may switch a processor's execution among multiple processes and because statistics on only a particular process may be of interest, a facility is provided to mark a process. The performance monitor (PM) bit, MSR[29] is used for this purpose. System software may set this bit when a marked process is running. This enables statistics to be gathered only during the execution of the marked process. The states of MSR[PR] and MSR[PM] together define a state that the processor (supervisor or program) and the process (marked or unmarked) may be in at any time. If this state matches a state specified by the MMCR, the state for which monitoring is enabled, counting is enabled.

The following are states that can be monitored:

- (Supervisor) only
- (User) only
- (Marked and user) only
- (Not marked and user) only
- (Marked and supervisor) only
- (Not marked and supervisor) only
- (Marked) only
- (Not marked) only

In addition, one of two unconditional counting modes may be specified:

- Counting is unconditionally enabled regardless of the states of MSR[PM] and MSR[PR]. This can be accomplished by clearing MMCR0[0–4].
- Counting is unconditionally disabled regardless of the states of MSR[PM] and MSR[PR]. This is done by setting MMCR0[0].

The performance monitor counters count specified events and are used to generate performance monitor exceptions when an overflow (most-significant bit is a 1) situation occurs. The MPC750 performance monitor has four, 32-bit registers that can count up to 0x7FFFFFFF (2,147,483,648 in decimal) before overflowing. Bit 0 of the registers is used to determine when an interrupt condition exists.

## 11.4 Event Selection

Event selection is handled through MMCR0 and MMCR1, described in Table 11-2 and Table 11-3, respectively. Event selection is described as follows:

- The four event-select fields in MMCR0 and MMCR1 are as follows:
  - MMCR0[19–25] PMC1SELECT—PMC1 input selector, 128 events selectable; 25 defined. See Table 11-5.
  - MMCR0[26–31] PMC2SELECT—PMC2 input selector, 64 events selectable; 21 defined. See Table 11-6.
  - MMCR0[0–4] PMC3SELECT—PMC3 input selector. 32 events selectable, defined. See Table 11-7.
  - MMCR0[5–9] PMC4SELECT—PMC4 input selector. 32 events selectable. See Table 11-8.
- In the tables, a correlation is established between each counter, events to be traced, and the pattern required for the desired selection.
- The first five events are common to all four counters and are considered to be reference events. These are as follows:
  - 00000—Register holds current value
  - 00001—Number of processor cycles
  - 00010—Number of completed instructions, not including folded branches
  - 00011—Number of TBL bit transitions from 0 to 1 of specified bits in time base lower register. Bits are specified through RTCSELECT (MMCR0[7–8]). 0 = 47, 1 = 51, 2 = 55, 3 = 63.
  - 00100—Number of instructions dispatched. 0, 1, or 2 per cycle
- Some events can have multiple occurrences per cycle, and therefore need two or three bits to represent them.

## 11.5 Warnings

The following warnings should be noted:

- Only those load and store in queue position 0 of their respective load/store queues are monitored when a threshold event is selected in PMC1.
- The MPC750 cannot accurately track threshold events with respect to the following types of loads and stores:
  - Unaligned load and store operations that cross a word boundary
  - Load and store multiple operations
  - Load and store string operations



# Appendix A

## PowerPC Instruction Set Listings

This appendix lists the MPC750 microprocessor's instruction set as well as the additional PowerPC instructions not implemented in the MPC750. Instructions are sorted by mnemonic, opcode, function, and form. Also included in this appendix is a quick reference table that contains general information, such as the architecture level, privilege level, and form, and indicates if the instruction is 64-bit and optional. Note that the MPC750 is a 32-bit microprocessor, and doesn't implement any 64-bit instructions.

Note that split fields, that represent the concatenation of sequences from left to right, are shown in lowercase. For more information refer to Chapter 8, "Instruction Set," in *The Programming Environments Manual*.

### A.1 Instructions Sorted by Mnemonic

Table A-1 lists the instructions implemented in the PowerPC architecture in alphabetical order by mnemonic.

Key:

 Reserved bits

**Table A-1. Complete Instruction List Sorted by Mnemonic**

Name	0	5	6	7	8	9	10	11	12	13	14	15	16	17	18	19	20	21	22	23	24	25	26	27	28	29	30	31
<b>addx</b>	31				D						A							B	OE									Rc
<b>addcx</b>	31				D						A							B	OE									Rc
<b>addex</b>	31				D						A							B	OE									Rc
<b>addi</b>	14				D						A		SIMM															
<b>addic</b>	12				D						A		SIMM															
<b>addic.</b>	13				D						A		SIMM															
<b>addis</b>	15				D						A		SIMM															
<b>addmex</b>	31				D						A						0 0 0 0 0	OE										Rc
<b>addzex</b>	31				D						A						0 0 0 0 0	OE										Rc

Name 0 5 6 7 8 9 10 11 12 13 14 15 16 17 18 19 20 21 22 23 24 25 26 27 28 29 30 31

<b>andx</b>	31	S	A	B	28	Rc
<b>andcx</b>	31	S	A	B	60	Rc
<b>andi</b>	28	S	A	UIMM		
<b>andis</b>	29	S	A	UIMM		
<b>bx</b>	18	LI				AA LK
<b>bcx</b>	16	BO	BI	BD		AA LK
<b>bcctx</b>	19	BO	BI	0 0 0 0 0	528	LK
<b>bclrx</b>	19	BO	BI	0 0 0 0 0	16	LK
<b>cmp</b>	31	crfD	0 L	A	B	0
<b>cmpi</b>	11	crfD	0 L	A	SIMM	
<b>cmpl</b>	31	crfD	0 L	A	B	32
<b>cmpli</b>	10	crfD	0 L	A	UIMM	
<b>cntlzdx<sup>1</sup></b>	31	S	A	0 0 0 0 0	58	Rc
<b>cntlzwx</b>	31	S	A	0 0 0 0 0	26	Rc
<b>crand</b>	19	crbD	crbA	crbB	257	0
<b>crandc</b>	19	crbD	crbA	crbB	129	0
<b>creqv</b>	19	crbD	crbA	crbB	289	0
<b>crnand</b>	19	crbD	crbA	crbB	225	0
<b>crnor</b>	19	crbD	crbA	crbB	33	0
<b>cror</b>	19	crbD	crbA	crbB	449	0
<b>crorc</b>	19	crbD	crbA	crbB	417	0
<b>crxor</b>	19	crbD	crbA	crbB	193	0
<b>dcba<sup>2,7</sup></b>	31	0 0 0 0 0	A	B	758	0
<b>dcbf</b>	31	0 0 0 0 0	A	B	86	0
<b>dcbi<sup>3</sup></b>	31	0 0 0 0 0	A	B	470	0
<b>dcbst</b>	31	0 0 0 0 0	A	B	54	0
<b>dcbt</b>	31	0 0 0 0 0	A	B	278	0
<b>dcbtst</b>	31	0 0 0 0 0	A	B	246	0
<b>dcbz</b>	31	0 0 0 0 0	A	B	1014	0
<b>divdx<sup>1</sup></b>	31	D	A	B	OE	489
<b>divdux<sup>1</sup></b>	31	D	A	B	OE	457
<b>divwx</b>	31	D	A	B	OE	491
<b>divwux</b>	31	D	A	B	OE	459

Name 0 5 6 7 8 9 10 11 12 13 14 15 16 17 18 19 20 21 22 23 24 25 26 27 28 29 30 31

<b>eciwx</b>	31	D		A	B	310		0
<b>ecowx</b>	31	S		A	B	438		0
<b>eieio</b>	31	0 0 0 0 0		0 0 0 0 0	0 0 0 0 0	854		0
<b>eqvx</b>	31	S		A	B	284		Rc
<b>extsbx</b>	31	S		A	0 0 0 0 0	954		Rc
<b>extshx</b>	31	S		A	0 0 0 0 0	922		Rc
<b>extswx<sup>1</sup></b>	31	S		A	0 0 0 0 0	986		Rc
<b>fabsx</b>	63	D		0 0 0 0 0	B	264		Rc
<b>faddx</b>	63	D		A	B	0 0 0 0 0	21	Rc
<b>faddsx</b>	59	D		A	B	0 0 0 0 0	21	Rc
<b>fcfidx<sup>1</sup></b>	63	D		0 0 0 0 0	B	846		Rc
<b>fcmppo</b>	63	crfD	0 0	A	B	32		0
<b>fcmphu</b>	63	crfD	0 0	A	B	0		0
<b>fctidx<sup>1</sup></b>	63	D		0 0 0 0 0	B	814		Rc
<b>fctidzx<sup>1</sup></b>	63	D		0 0 0 0 0	B	815		Rc
<b>fctiwx</b>	63	D		0 0 0 0 0	B	14		Rc
<b>fctiwzx</b>	63	D		0 0 0 0 0	B	15		Rc
<b>fdivx</b>	63	D		A	B	0 0 0 0 0	18	Rc
<b>fdivsx</b>	59	D		A	B	0 0 0 0 0	18	Rc
<b>fmaddx</b>	63	D		A	B	C	29	Rc
<b>fmaddsx</b>	59	D		A	B	C	29	Rc
<b>fmr<sub>x</sub></b>	63	D		0 0 0 0 0	B	72		Rc
<b>fmsubx</b>	63	D		A	B	C	28	Rc
<b>fmsubsx</b>	59	D		A	B	C	28	Rc
<b>fmulx</b>	63	D		A	0 0 0 0 0	C	25	Rc
<b>fmulsx</b>	59	D		A	0 0 0 0 0	C	25	Rc
<b>fnabsx</b>	63	D		0 0 0 0 0	B	136		Rc
<b>fnegx</b>	63	D		0 0 0 0 0	B	40		Rc
<b>fnmaddx</b>	63	D		A	B	C	31	Rc
<b>fnmaddsx</b>	59	D		A	B	C	31	Rc
<b>fnmsubx</b>	63	D		A	B	C	30	Rc
<b>fnmsubsx</b>	59	D		A	B	C	30	Rc
<b>fresx<sup>2</sup></b>	59	D		0 0 0 0 0	B	0 0 0 0 0	24	Rc

Name	0	5	6	7	8	9	10	11	12	13	14	15	16	17	18	19	20	21	22	23	24	25	26	27	28	29	30	31		
<b>frsp<sub>x</sub></b>	63		D					0 0 0 0 0						B																Rc
<b>frsqrt<sub>x</sub><sup>2</sup></b>	63		D					0 0 0 0 0						B				0 0 0 0 0					26							Rc
<b>fsel<sub>x</sub><sup>2</sup></b>	63		D					A						B				C					23							Rc
<b>fsqrt<sub>x</sub><sup>2,7</sup></b>	63		D					0 0 0 0 0						B				0 0 0 0 0					22							Rc
<b>fsqrt<sub>s</sub><sup>2,7</sup></b>	59		D					0 0 0 0 0						B				0 0 0 0 0					22							Rc
<b>fsub<sub>x</sub></b>	63		D					A						B				0 0 0 0 0					20							Rc
<b>fsub<sub>s</sub><sub>x</sub></b>	59		D					A						B				0 0 0 0 0					20							Rc
<b>icbi</b>	31			0 0 0 0 0				A						B									982							0
<b>isync</b>	19			0 0 0 0 0			0 0 0 0 0						0 0 0 0 0										150							0
<b>lbz</b>	34		D					A																						
<b>lbzu</b>	35		D					A																						
<b>lbzux</b>	31		D					A						B									119							0
<b>lbzx</b>	31		D					A						B									87							0
<b>ld<sup>1</sup></b>	58		D					A																						0
<b>ldar<sub>x</sub><sup>1</sup></b>	31		D					A						B									84							0
<b>ldu<sup>1</sup></b>	58		D					A																						1
<b>ldux<sup>1</sup></b>	31		D					A						B									53							0
<b>ldx<sup>1</sup></b>	31		D					A						B									21							0
<b>lfd</b>	50		D					A																						
<b>lfd<sub>u</sub></b>	51		D					A																						
<b>lfd<sub>ux</sub></b>	31		D					A						B									631							0
<b>lfd<sub>x</sub></b>	31		D					A						B									599							0
<b>lfs</b>	48		D					A																						
<b>lfs<sub>u</sub></b>	49		D					A																						
<b>lfs<sub>ux</sub></b>	31		D					A						B									567							0
<b>lfs<sub>x</sub></b>	31		D					A						B									535							0
<b>lha</b>	42		D					A																						
<b>lhau</b>	43		D					A																						
<b>lhaux</b>	31		D					A						B									375							0
<b>lhax</b>	31		D					A						B									343							0
<b>lhbr<sub>x</sub></b>	31		D					A						B									790							0
<b>lhz</b>	40		D					A																						
<b>lhzu</b>	41		D					A																						

Name 0 5 6 7 8 9 10 11 12 13 14 15 16 17 18 19 20 21 22 23 24 25 26 27 28 29 30 31

lhzux	31	D	A	B	311	0		
lhzx	31	D	A	B	279	0		
lmw <sup>4</sup>	46	D	A	d				
lswi <sup>4</sup>	31	D	A	NB	597	0		
lswx <sup>4</sup>	31	D	A	B	533	0		
lwa <sup>1</sup>	58	D	A	ds		2		
lwarx	31	D	A	B	20	0		
lwaux <sup>1</sup>	31	D	A	B	373	0		
lwax <sup>1</sup>	31	D	A	B	341	0		
lwbrx	31	D	A	B	534	0		
lwz	32	D	A	d				
lwzu	33	D	A	d				
lwzux	31	D	A	B	55	0		
lwzx	31	D	A	B	23	0		
mcrf	19	crfD	00	crfS	00	00000	0	0
mcrfs	63	crfD	00	crfS	00	00000	64	0
mcrxr	31	crfD	00	00000	00000	512	0	
mfcrr	31	D	00000	00000	19	0		
mffsx	63	D	00000	00000	583	Rc		
mfmsr <sup>3</sup>	31	D	00000	00000	83	0		
mfmsr <sup>5</sup>	31	D	spr		339	0		
mfsr <sup>3,6</sup>	31	D	0	SR	00000	595	0	
mfsrin <sup>3,6</sup>	31	D	00000	B	659	0		
mftb	31	D	tbr		371	0		
mtrcf	31	S	0	CRM	0	144	0	
mtfsb0x	63	crbD	00000	00000	70	Rc		
mtfsb1x	63	crbD	00000	00000	38	Rc		
mtfsfx	63	0	FM	0	B	711	Rc	
mtfsfix	63	crfD	00	00000	IMM	0	134	Rc
mtmsr <sup>3,6</sup>	31	S	00000	00000	146	0		
mtmsrd <sup>1,3</sup>	31	S	00000	00000	178	0		
mtspr <sup>5</sup>	31	S	spr		467	0		
mtsr <sup>3,6</sup>	31	S	0	SR	00000	210	0	

Name	0	5	6	7	8	9	10	11	12	13	14	15	16	17	18	19	20	21	22	23	24	25	26	27	28	29	30	31	
<b>mtsrđ</b> <sup>3,6</sup>	31	S	0	SR	00000																								0
<b>mtsrđin</b> <sup>3,6</sup>	31	S			00000																								0
<b>mtsrin</b> <sup>3,6</sup>	31	S			00000																								0
<b>mulhđx</b> <sup>1</sup>	31	D			A										B		0												Rc
<b>mulhđux</b> <sup>1</sup>	31	D			A										B		0												Rc
<b>mulhwđx</b>	31	D			A										B		0												Rc
<b>mulhwux</b>	31	D			A										B		0												Rc
<b>mulldx</b> <sup>1</sup>	31	D			A										B		OE												Rc
<b>mulli</b>	7	D			A																								
<b>mulldwx</b>	31	D			A										B		OE												Rc
<b>nandx</b>	31	S			A										B														Rc
<b>negx</b>	31	D			A										00000		OE												Rc
<b>norx</b>	31	S			A										B														Rc
<b>orx</b>	31	S			A										B														Rc
<b>orcđx</b>	31	S			A										B														Rc
<b>ori</b>	24	S			A																								
<b>oris</b>	25	S			A																								
<b>rđi</b> <sup>3,6</sup>	19		00000			00000									00000														0
<b>rđid</b> <sup>1,3</sup>	19		00000			00000									00000														0
<b>rđclđx</b> <sup>1</sup>	30	S			A										B							mb			8				Rc
<b>rđclđrx</b> <sup>1</sup>	30	S			A										B							me			9				Rc
<b>rđclđcx</b> <sup>1</sup>	30	S			A										sh							mb			2	sh			Rc
<b>rđclđclđx</b> <sup>1</sup>	30	S			A										sh							mb			0	sh			Rc
<b>rđclđclđrx</b> <sup>1</sup>	30	S			A										sh							me			1	sh			Rc
<b>rđclđmix</b> <sup>1</sup>	30	S			A										sh							mb			3	sh			Rc
<b>rlwimix</b>	20	S			A										SH							MB			ME				Rc
<b>rlwinmx</b>	21	S			A										SH							MB			ME				Rc
<b>rlwnmx</b>	23	S			A										B							MB			ME				Rc
<b>sc</b>	17		00000			00000																						1	0
<b>slbia</b> <sup>1,2,3</sup>	31		00000			00000									00000														0
<b>slbie</b> <sup>1,2,3</sup>	31		00000			00000									B														0
<b>sldx</b> <sup>1</sup>	31	S			A										B														Rc
<b>slwx</b>	31	S			A										B														Rc

Name 0 5 6 7 8 9 10 11 12 13 14 15 16 17 18 19 20 21 22 23 24 25 26 27 28 29 30 31

<b>sradx</b> <sup>1</sup>	31	S	A	B	794	Rc
<b>sradix</b> <sup>1</sup>	31	S	A	sh	413	sh Rc
<b>srawx</b>	31	S	A	B	792	Rc
<b>srawix</b>	31	S	A	SH	824	Rc
<b>srdx</b> <sup>1</sup>	31	S	A	B	539	Rc
<b>srwx</b>	31	S	A	B	536	Rc
<b>stb</b>	38	S	A	d		
<b>stbu</b>	39	S	A	d		
<b>stbux</b>	31	S	A	B	247	0
<b>stbx</b>	31	S	A	B	215	0
<b>std</b> <sup>1</sup>	62	S	A	ds		0
<b>stdcx</b> <sup>1</sup>	31	S	A	B	214	1
<b>stdu</b> <sup>1</sup>	62	S	A	ds		1
<b>stdux</b> <sup>1</sup>	31	S	A	B	181	0
<b>stdx</b> <sup>1</sup>	31	S	A	B	149	0
<b>stfd</b>	54	S	A	d		
<b>stfdu</b>	55	S	A	d		
<b>stfdux</b>	31	S	A	B	759	0
<b>stfdx</b>	31	S	A	B	727	0
<b>stfiwx</b> <sup>2</sup>	31	S	A	B	983	0
<b>stfs</b>	52	S	A	d		
<b>stfsu</b>	53	S	A	d		
<b>stfsux</b>	31	S	A	B	695	0
<b>stfsx</b>	31	S	A	B	663	0
<b>sth</b>	44	S	A	d		
<b>sthbrx</b>	31	S	A	B	918	0
<b>sthu</b>	45	S	A	d		
<b>sthux</b>	31	S	A	B	439	0
<b>sthx</b>	31	S	A	B	407	0
<b>stmw</b> <sup>4</sup>	47	S	A	d		
<b>stswi</b> <sup>4</sup>	31	S	A	NB	725	0
<b>stswx</b> <sup>4</sup>	31	S	A	B	661	0
<b>stw</b>	36	S	A	d		

Name	0	5	6	7	8	9	10	11	12	13	14	15	16	17	18	19	20	21	22	23	24	25	26	27	28	29	30	31	
<b>stwbrx</b>	31		S					A							B													662	0
<b>stwcx.</b>	31		S					A							B													150	1
<b>stwu</b>	37		S					A																				d	
<b>stwux</b>	31		S					A							B													183	0
<b>stwx</b>	31		S					A							B													151	0
<b>subfx</b>	31		D					A							B		OE											40	Rc
<b>subfcx</b>	31		D					A							B		OE											8	Rc
<b>subfex</b>	31		D					A							B		OE											136	Rc
<b>subfic</b>	08		D					A																				SIMM	
<b>subfmex</b>	31		D					A					0 0 0 0 0				OE											232	Rc
<b>subfzex</b>	31		D					A					0 0 0 0 0				OE											200	Rc
<b>sync</b>	31			0 0 0 0 0				0 0 0 0 0							0 0 0 0 0													598	0
<b>td<sup>1</sup></b>	31			TO				A							B													68	0
<b>tdi<sup>1</sup></b>	02			TO				A																				SIMM	
<b>tlbia<sup>2,3,7</sup></b>	31			0 0 0 0 0				0 0 0 0 0							0 0 0 0 0													370	0
<b>tlbie<sup>2,3</sup></b>	31			0 0 0 0 0				0 0 0 0 0							B													306	0
<b>tlbsync<sup>2,3</sup></b>	31			0 0 0 0 0				0 0 0 0 0							0 0 0 0 0													566	0
<b>tw</b>	31			TO				A							B													4	0
<b>twi</b>	03			TO				A																				SIMM	
<b>xorx</b>	31		S					A							B													316	Rc
<b>xori</b>	26		S					A																				UIMM	
<b>xoris</b>	27		S					A																				UIMM	

**Notes:**

- <sup>1</sup> 64-bit instruction
- <sup>2</sup> Optional instruction
- <sup>3</sup> Supervisor-level instruction
- <sup>4</sup> Load/store string/multiple instruction
- <sup>5</sup> Supervisor- and user-level instruction
- <sup>6</sup> Optional 64-bit bridge instruction
- <sup>7</sup> 32-bit instruction not implemented by the MPC750



## A.2 Instructions Sorted by Opcode

Table A-2 lists the instructions defined in the PowerPC architecture in numeric order by opcode.

Key:

Reserved bits

**Table A-2. Complete Instruction List Sorted by Opcode**

Name	0	5	6	7	8	9	10	11	12	13	14	15	16	17	18	19	20	21	22	23	24	25	26	27	28	29	30	31
<b>tdi</b> <sup>1</sup>	000010	TO			A			SIMM																				
<b>twi</b>	000011	TO			A			SIMM																				
<b>mulli</b>	000111	D			A			SIMM																				
<b>subfic</b>	001000	D			A			SIMM																				
<b>cmpli</b>	001010	crfD	0	L	A			UIMM																				
<b>cmpi</b>	001011	crfD	0	L	A			SIMM																				
<b>addic</b>	001100	D			A			SIMM																				
<b>addic.</b>	001101	D			A			SIMM																				
<b>addi</b>	001110	D			A			SIMM																				
<b>addis</b>	001111	D			A			SIMM																				
<b>bcx</b>	010000	BO			BI			BD										AA	LK									
<b>sc</b>	010001	00000			00000			0000000000000000										1	0									
<b>bx</b>	010010	LI																								AA	LK	
<b>mcrf</b>	010011	crfD	00	crfS	00	00000			0000000000										0									
<b>bclrx</b>	010011	BO			BI			00000			0000010000										LK							
<b>rfid</b> <sup>1,2</sup>	010011	00000			00000			00000			0000010010										0							
<b>crnor</b>	010011	crbD			crbA			crbB			0000100001										0							
<b>rfi</b> <sup>2,3</sup>	010011	00000			00000			00000			0000110010										0							
<b>crandc</b>	010011	crbD			crbA			crbB			0010000001										0							
<b>isync</b>	010011	00000			00000			00000			0010010110										0							
<b>crxor</b>	010011	crbD			crbA			crbB			0011000001										0							
<b>crnand</b>	010011	crbD			crbA			crbB			0011100001										0							
<b>crand</b>	010011	crbD			crbA			crbB			0100000001										0							
<b>creqv</b>	010011	crbD			crbA			crbB			0100100001										0							
<b>crorc</b>	010011	crbD			crbA			crbB			0110100001										0							
<b>cror</b>	010011	crbD			crbA			crbB			0111000001										0							

Name 0 5 6 7 8 9 10 11 12 13 14 15 16 17 18 19 20 21 22 23 24 25 26 27 28 29 30 31

bcctrx	010011	BO	BI	00000	1000010000	LK
rlwimix	010100	S	A	SH	MB ME	Rc
rlwinmx	010101	S	A	SH	MB ME	Rc
rlwnmx	010111	S	A	B	MB ME	Rc
ori	011000	S	A	UIMM		
oris	011001	S	A	UIMM		
xori	011010	S	A	UIMM		
xoris	011011	S	A	UIMM		
andi.	011100	S	A	UIMM		
andis.	011101	S	A	UIMM		
rldiclx <sup>1</sup>	011110	S	A	sh	mb 000	sh Rc
rldicrx <sup>1</sup>	011110	S	A	sh	me 001	sh Rc
rldicx <sup>1</sup>	011110	S	A	sh	mb 010	sh Rc
rldimix <sup>1</sup>	011110	S	A	sh	mb 011	sh Rc
rldclx <sup>1</sup>	011110	S	A	B	mb 01000	Rc
rldcrx <sup>1</sup>	011110	S	A	B	me 01001	Rc
cmp	011111	crfD 0 L	A	B	0000000000	0
tw	011111	TO	A	B	0000000100	0
subfcx	011111	D	A	B OE	0000001000	Rc
mulhdux <sup>1</sup>	011111	D	A	B 0	0000001001	Rc
addcx	011111	D	A	B OE	0000001010	Rc
mulhwux	011111	D	A	B 0	0000001011	Rc
mfcx	011111	D	00000	00000	0000010011	0
lwarx	011111	D	A	B	0000010100	0
ldx <sup>1</sup>	011111	D	A	B	0000010101	0
lwzx	011111	D	A	B	0000010111	0
slwx	011111	S	A	B	0000011000	Rc
cntlzx	011111	S	A	00000	0000011010	Rc
sldx <sup>1</sup>	011111	S	A	B	0000011011	Rc
andx	011111	S	A	B	0000011100	Rc
cmpl	011111	crfD 0 L	A	B	0000100000	0
subfx	011111	D	A	B OE	0000101000	Rc
ldux <sup>1</sup>	011111	D	A	B	0000110101	0

Name	0	5	6	7	8	9	10	11	12	13	14	15	16	17	18	19	20	21	22	23	24	25	26	27	28	29	30	31	
dcbst	011111	00000							A					B														0	
lwzux	011111		D						A					B															0
cntlzdx <sup>1</sup>	011111		S						A				00000																Rc
andcx	011111		S						A					B															Rc
td <sup>1</sup>	011111		TO						A					B															0
mulhdx <sup>1</sup>	011111		D						A					B			0												Rc
mulhwx	011111		D						A					B			0												Rc
mtsr <sup>2,3</sup>	011111		S			0			SR				00000																0
mfmsr <sup>2</sup>	011111		D					00000					00000																0
ldarx <sup>1</sup>	011111		D						A					B															0
dcbf	011111		00000						A					B															0
lbzx	011111		D						A					B															0
negx	011111		D						A				00000				OE												Rc
mtsr <sup>2,3</sup> din	011111		S					00000						B															0
lbzux	011111		D						A					B															0
norx	011111		S						A					B															Rc
subfex	011111		D						A					B			OE												Rc
addex	011111		D						A					B			OE												Rc
mtcrf	011111		S			0							CRM				0												0
mtmsr <sup>2,3</sup>	011111		S					00000					00000																0
stdx <sup>1</sup>	011111		S						A					B															0
stwcx.	011111		S						A					B															1
stwx	011111		S						A					B															0
mtmsrd <sup>1,2</sup>	011111		S					00000					00000																0
stdux <sup>1</sup>	011111		S						A					B															0
stwux	011111		S						A					B															0
subfzex	011111		D						A				00000				OE												Rc
addzex	011111		D						A				00000				OE												Rc
mtsr <sup>2,3</sup>	011111		S			0			SR				00000																0
stdcx. <sup>1</sup>	011111		S						A					B															1
stbx	011111		S						A					B															0
subfmex	011111		D						A				00000				OE												Rc
mulld <sup>1</sup>	011111		D						A					B			OE												Rc

Name 0 5 6 7 8 9 10 11 12 13 14 15 16 17 18 19 20 21 22 23 24 25 26 27 28 29 30 31

<b>addmex</b>	011111	D	A	00000	OE	0011101010	Rc
<b>mullwx</b>	011111	D	A	B	OE	0011101011	Rc
<b>mtsrin</b> <sup>2,3</sup>	011111	S	00000	B		0011110010	0
<b>dcbst</b>	011111	00000	A	B		0011110110	0
<b>stbux</b>	011111	S	A	B		0011110111	0
<b>addx</b>	011111	D	A	B	OE	0100001010	Rc
<b>dcbt</b>	011111	00000	A	B		0100010110	0
<b>lhzx</b>	011111	D	A	B		0100010111	0
<b>eqvx</b>	011111	S	A	B		0100011100	Rc
<b>tlbie</b> <sup>2,4</sup>	011111	00000	00000	B		0100110010	0
<b>eciwx</b>	011111	D	A	B		0100110110	0
<b>lhux</b>	011111	D	A	B		0100110111	0
<b>xorx</b>	011111	S	A	B		0100111100	Rc
<b>mfspr</b> <sup>5</sup>	011111	D	spr			0101010011	0
<b>lwax</b> <sup>1</sup>	011111	D	A	B		0101010101	0
<b>lhax</b>	011111	D	A	B		0101010111	0
<b>tlbia</b> <sup>2,4,7</sup>	011111	00000	00000	00000		0101110010	0
<b>mftb</b>	011111	D	tbr			0101110011	0
<b>lwaux</b> <sup>1</sup>	011111	D	A	B		0101110101	0
<b>lhaux</b>	011111	D	A	B		0101110111	0
<b>sthx</b>	011111	S	A	B		0110010111	0
<b>orcx</b>	011111	S	A	B		0110011100	Rc
<b>sradix</b> <sup>1</sup>	011111	S	A	sh		1100111011	sh Rc
<b>slbie</b> <sup>1,2,4</sup>	011111	00000	00000	B		0110110010	0
<b>ecowx</b>	011111	S	A	B		0110110110	0
<b>sthux</b>	011111	S	A	B		0110110111	0
<b>orx</b>	011111	S	A	B		0110111100	Rc
<b>divdux</b> <sup>1</sup>	011111	D	A	B	OE	0111001001	Rc
<b>divwux</b>	011111	D	A	B	OE	0111001011	Rc
<b>mtspr</b> <sup>5</sup>	011111	S	spr			0111010011	0
<b>dcbi</b> <sup>2</sup>	011111	00000	A	B		0111010110	0
<b>nandx</b>	011111	S	A	B		0111011100	Rc
<b>divdx</b> <sup>1</sup>	011111	D	A	B	OE	0111101001	Rc

Name	0	5	6	7	8	9	10	11	12	13	14	15	16	17	18	19	20	21	22	23	24	25	26	27	28	29	30	31
<b>divw<sub>x</sub></b>	011111	D			A			B			OE	0111101011						Rc										
<b>slbia<sup>1,2,4</sup></b>	011111	00000			00000			00000			0111110010						0											
<b>mcrxr</b>	011111	crfD	00		00000			00000			1000000000						0											
<b>lsw<sub>x</sub><sup>6</sup></b>	011111	D			A			B			1000010101						0											
<b>lwbr<sub>x</sub></b>	011111	D			A			B			1000010110						0											
<b>lfs<sub>x</sub></b>	011111	D			A			B			1000010111						0											
<b>srw<sub>x</sub></b>	011111	S			A			B			1000011000						Rc											
<b>srds<sub>x</sub><sup>1</sup></b>	011111	S			A			B			1000011011						Rc											
<b>tlbsync<sup>2,4</sup></b>	011111	00000			00000			00000			1000110110						0											
<b>lfsu<sub>x</sub></b>	011111	D			A			B			1000110111						0											
<b>mfsr<sup>2,3</sup></b>	011111	D			0	SR		00000			1001010011						0											
<b>lswi<sup>6</sup></b>	011111	D			A			NB			1001010101						0											
<b>sync</b>	011111	00000			00000			00000			1001010110						0											
<b>lfd<sub>x</sub></b>	011111	D			A			B			1001010111						0											
<b>lfd<sub>u<sub>x</sub></sub></b>	011111	D			A			B			1001110111						0											
<b>mfsrin<sup>2,3</sup></b>	011111	D			00000			B			1010010011						0											
<b>stsw<sub>x</sub><sup>6</sup></b>	011111	S			A			B			1010010101						0											
<b>stwbr<sub>x</sub></b>	011111	S			A			B			1010010110						0											
<b>stfs<sub>x</sub></b>	011111	S			A			B			1010010111						0											
<b>stfsu<sub>x</sub></b>	011111	S			A			B			1010110111						0											
<b>stswi<sup>6</sup></b>	011111	S			A			NB			1011010101						0											
<b>stfd<sub>x</sub></b>	011111	S			A			B			1011010111						0											
<b>dcba<sup>4,7</sup></b>	011111	00000			A			B			1011110110						0											
<b>stfd<sub>u<sub>x</sub></sub></b>	011111	S			A			B			1011110111						0											
<b>lhbr<sub>x</sub></b>	011111	D			A			B			1100010110						0											
<b>sraw<sub>x</sub></b>	011111	S			A			B			1100011000						Rc											
<b>srad<sub>x</sub><sup>1</sup></b>	011111	S			A			B			1100011010						Rc											
<b>srawi<sub>x</sub></b>	011111	S			A			SH			1100111000						Rc											
<b>eieio</b>	011111	00000			00000			00000			1101010110						0											
<b>sthbr<sub>x</sub></b>	011111	S			A			B			1110010110						0											
<b>extsh<sub>x</sub></b>	011111	S			A			00000			1110011010						Rc											
<b>extsb<sub>x</sub></b>	011111	S			A			00000			1110111010						Rc											
<b>icbi</b>	011111	00000			A			B			1111010110						0											

Name	0	5	6	7	8	9	10	11	12	13	14	15	16	17	18	19	20	21	22	23	24	25	26	27	28	29	30	31
<b>stfiwx</b> <sup>4</sup>	0111111	S								A									B									0
<b>extsw</b> <sup>1</sup>	0111111	S								A									00000									Rc
<b>dcbz</b>	0111111		00000							A									B									0
<b>lwz</b>	100000	D								A																		
<b>lwzu</b>	100001	D								A																		
<b>lbz</b>	100010	D								A																		
<b>lbzu</b>	100011	D								A																		
<b>stw</b>	100100	S								A																		
<b>stwu</b>	100101	S								A																		
<b>stb</b>	100110	S								A																		
<b>stbu</b>	100111	S								A																		
<b>lhz</b>	101000	D								A																		
<b>lhzu</b>	101001	D								A																		
<b>lha</b>	101010	D								A																		
<b>lhau</b>	101011	D								A																		
<b>sth</b>	101100	S								A																		
<b>sthu</b>	101101	S								A																		
<b>lmw</b> <sup>6</sup>	101110	D								A																		
<b>stmw</b> <sup>6</sup>	101111	S								A																		
<b>lfs</b>	110000	D								A																		
<b>lfsu</b>	110001	D								A																		
<b>lfd</b>	110010	D								A																		
<b>lfd�</b>	110011	D								A																		
<b>stfs</b>	110100	S								A																		
<b>stfsu</b>	110101	S								A																		
<b>stfd</b>	110110	S								A																		
<b>stfdû</b>	110111	S								A																		
<b>ld</b> <sup>1</sup>	111010	D								A																		00
<b>ldu</b> <sup>1</sup>	111010	D								A																		01
<b>lwa</b> <sup>1</sup>	111010	D								A																		10
<b>fdivsx</b>	111011	D								A									B			00000			10010			Rc
<b>fsubsx</b>	111011	D								A									B			00000			10100			Rc
<b>faddsx</b>	111011	D								A									B			00000			10101			Rc

Name	0	5	6	7	8	9	10	11	12	13	14	15	16	17	18	19	20	21	22	23	24	25	26	27	28	29	30	31
<b>fsqrts<sup>4,7</sup></b>	1 1 1 0 1 1	D						0 0 0 0 0					B						0 0 0 0 0				1 0 1 1 0					Rc
<b>fres<sup>4</sup></b>	1 1 1 0 1 1	D						0 0 0 0 0					B						0 0 0 0 0				1 1 0 0 0					Rc
<b>fmulsx</b>	1 1 1 0 1 1	D						A					0 0 0 0 0						C				1 1 0 0 1					Rc
<b>fmsubx</b>	1 1 1 0 1 1	D						A					B						C				1 1 1 0 0					Rc
<b>fmaddx</b>	1 1 1 0 1 1	D						A					B						C				1 1 1 0 1					Rc
<b>fnmsubx</b>	1 1 1 0 1 1	D						A					B						C				1 1 1 1 0					Rc
<b>fnmaddx</b>	1 1 1 0 1 1	D						A					B						C				1 1 1 1 1					Rc
<b>std<sup>1</sup></b>	1 1 1 1 1 0	S						A											ds								0 0	
<b>stdu<sup>1</sup></b>	1 1 1 1 1 0	S						A											ds								0 1	
<b>fcmpu</b>	1 1 1 1 1 1	crfD		0 0				A					B						0 0 0 0 0 0 0 0 0 0								0	
<b>frsp<sup>x</sup></b>	1 1 1 1 1 1	D						0 0 0 0 0					B						0 0 0 0 0 0 1 1 0 0									Rc
<b>fctiw<sup>x</sup></b>	1 1 1 1 1 1	D						0 0 0 0 0					B						0 0 0 0 0 0 1 1 1 0									
<b>fctiwz<sup>x</sup></b>	1 1 1 1 1 1	D						0 0 0 0 0					B						0 0 0 0 0 0 1 1 1 1									Rc
<b>fdiv<sup>x</sup></b>	1 1 1 1 1 1	D						A					B						0 0 0 0 0				1 0 0 1 0					Rc
<b>fsub<sup>x</sup></b>	1 1 1 1 1 1	D						A					B						0 0 0 0 0				1 0 1 0 0					Rc
<b>fadd<sup>x</sup></b>	1 1 1 1 1 1	D						A					B						0 0 0 0 0				1 0 1 0 1					Rc
<b>fsqrt<sup>x 4,7</sup></b>	1 1 1 1 1 1	D						0 0 0 0 0					B						0 0 0 0 0				1 0 1 1 0					Rc
<b>fsel<sup>x 4</sup></b>	1 1 1 1 1 1	D						A					B						C				1 0 1 1 1					Rc
<b>fmul<sup>x</sup></b>	1 1 1 1 1 1	D						A					0 0 0 0 0						C				1 1 0 0 1					Rc
<b>frsqrte<sup>x 4</sup></b>	1 1 1 1 1 1	D						0 0 0 0 0					B						0 0 0 0 0				1 1 0 1 0					Rc
<b>fmsub<sup>x</sup></b>	1 1 1 1 1 1	D						A					B						C				1 1 1 0 0					Rc
<b>fmadd<sup>x</sup></b>	1 1 1 1 1 1	D						A					B						C				1 1 1 0 1					Rc
<b>fnmsub<sup>x</sup></b>	1 1 1 1 1 1	D						A					B						C				1 1 1 1 0					Rc
<b>fnmadd<sup>x</sup></b>	1 1 1 1 1 1	D						A					B						C				1 1 1 1 1					Rc
<b>fcmpo</b>	1 1 1 1 1 1	crfD		0 0				A					B						0 0 0 0 1 0 0 0 0 0								0	
<b>mtfsb1<sup>x</sup></b>	1 1 1 1 1 1	crbD						0 0 0 0 0					0 0 0 0 0						0 0 0 0 1 0 0 1 1 0									Rc
<b>fneg<sup>x</sup></b>	1 1 1 1 1 1	D						0 0 0 0 0					B						0 0 0 0 1 0 1 0 0 0									Rc
<b>mcrfs</b>	1 1 1 1 1 1	crfD		0 0	crfS		0 0						0 0 0 0 0						0 0 0 1 0 0 0 0 0 0								0	
<b>mtfsb0<sup>x</sup></b>	1 1 1 1 1 1	crbD						0 0 0 0 0					0 0 0 0 0						0 0 0 1 0 0 0 1 1 0									Rc
<b>fmr<sup>x</sup></b>	1 1 1 1 1 1	D						0 0 0 0 0					B						0 0 0 1 0 0 1 0 0 0									Rc
<b>mtfsfix</b>	1 1 1 1 1 1	crfD		0 0				0 0 0 0 0					IMM		0				0 0 1 0 0 0 0 1 1 0									Rc
<b>fnabs<sup>x</sup></b>	1 1 1 1 1 1	D						0 0 0 0 0					B						0 0 1 0 0 0 1 0 0 0									Rc
<b>fabs<sup>x</sup></b>	1 1 1 1 1 1	D						0 0 0 0 0					B						0 1 0 0 0 0 1 0 0 0									Rc

Name 0 5 6 7 8 9 10 11 12 13 14 15 16 17 18 19 20 21 22 23 24 25 26 27 28 29 30 31

<b>mfsx</b>	1 1 1 1 1 1	D	0 0 0 0 0	0 0 0 0 0	1 0 0 1 0 0 0 1 1 1	Rc	
<b>mtfsx</b>	1 1 1 1 1 1	0	FM	0	B	1 0 1 1 0 0 0 1 1 1	Rc
<b>fctid<sub>x</sub><sup>1</sup></b>	1 1 1 1 1 1	D	0 0 0 0 0	B	1 1 0 0 1 0 1 1 1 0	Rc	
<b>fctidz<sub>x</sub><sup>1</sup></b>	1 1 1 1 1 1	D	0 0 0 0 0	B	1 1 0 0 1 0 1 1 1 1	Rc	
<b>fcfid<sub>x</sub><sup>1</sup></b>	1 1 1 1 1 1	D	0 0 0 0 0	B	1 1 0 1 0 0 1 1 1 0	Rc	

**Notes:**

- <sup>1</sup> 64-bit instruction
- <sup>2</sup> Supervisor-level instruction
- <sup>3</sup> Optional 64-bit bridge instruction
- <sup>4</sup> Optional instruction
- <sup>5</sup> Supervisor- and user-level instruction
- <sup>6</sup> Load/store string/multiple instruction
- <sup>7</sup> 32-bit instruction not implemented by the MPC750



## A.3 Instructions Grouped by Functional Categories

Table A-3 through Table A-30 list the PowerPC instructions grouped by function.

Key:  Reserved bits

**Table A-3. Integer Arithmetic Instructions**

Name	0	5	6	7	8	9	10	11	12	13	14	15	16	17	18	19	20	21	22	23	24	25	26	27	28	29	30	31
<b>addx</b>	31		D						A									B	OE				266					Rc
<b>addcx</b>	31		D						A									B	OE				10					Rc
<b>addex</b>	31		D						A									B	OE				138					Rc
<b>addi</b>	14		D						A														SIMM					
<b>addic</b>	12		D						A														SIMM					
<b>addic.</b>	13		D						A														SIMM					
<b>addis</b>	15		D						A														SIMM					
<b>addmex</b>	31		D						A				0	0	0	0	0		OE				234					Rc
<b>addzex</b>	31		D						A				0	0	0	0	0		OE				202					Rc
<b>divdx</b> <sup>1</sup>	31		D						A									B	OE				489					Rc
<b>divdux</b> <sup>1</sup>	31		D						A									B	OE				457					Rc
<b>divwx</b>	31		D						A									B	OE				491					Rc
<b>divwux</b>	31		D						A									B	OE				459					Rc
<b>mulhdx</b> <sup>1</sup>	31		D						A									B	0				73					Rc
<b>mulhdux</b> <sup>1</sup>	31		D						A									B	0				9					Rc
<b>mulhwx</b>	31		D						A									B	0				75					Rc
<b>mulhwux</b>	31		D						A									B	0				11					Rc
<b>mulld</b> <sup>1</sup>	31		D						A									B	OE				233					Rc
<b>mulli</b>	07		D						A														SIMM					
<b>mullwx</b>	31		D						A									B	OE				235					Rc
<b>negx</b>	31		D						A				0	0	0	0	0		OE				104					Rc
<b>subfx</b>	31		D						A									B	OE				40					Rc
<b>subfcx</b>	31		D						A									B	OE				8					Rc
<b>subficx</b>	08		D						A														SIMM					
<b>subfex</b>	31		D						A									B	OE				136					Rc
<b>subfmex</b>	31		D						A				0	0	0	0	0		OE				232					Rc
<b>subfzex</b>	31		D						A				0	0	0	0	0		OE				200					Rc

Note:  
<sup>1</sup> 64-bit instruction

**Table A-4. Integer Compare Instructions**

Name	0	5	6	7	8	9	10	11	12	13	14	15	16	17	18	19	20	21	22	23	24	25	26	27	28	29	30	31
<b>cmp</b>	31	crfD	0	L		A		B	0000000000										0									
<b>cmpi</b>	11	crfD	0	L		A	SIMM																					
<b>cmpl</b>	31	crfD	0	L		A		B	32										0									
<b>cmpli</b>	10	crfD	0	L		A	UIMM																					

**Table A-5. Integer Logical Instructions**

Name	0	5	6	7	8	9	10	11	12	13	14	15	16	17	18	19	20	21	22	23	24	25	26	27	28	29	30	31
<b>andx</b>	31		S			A		B	28										Rc									
<b>andcx</b>	31		S			A		B	60										Rc									
<b>andi</b>	28		S			A	UIMM																					
<b>andis</b>	29		S			A	UIMM																					
<b>cntlzdx</b> <sup>1</sup>	31		S			A	00000	58										Rc										
<b>cntlzwx</b>	31		S			A	00000	26										Rc										
<b>eqvx</b>	31		S			A		B	284										Rc									
<b>extsbx</b>	31		S			A	00000	954										Rc										
<b>extshx</b>	31		S			A	00000	922										Rc										
<b>extswx</b> <sup>1</sup>	31		S			A	00000	986										Rc										
<b>nandx</b>	31		S			A		B	476										Rc									
<b>norx</b>	31		S			A		B	124										Rc									
<b>orx</b>	31		S			A		B	444										Rc									
<b>orcx</b>	31		S			A		B	412										Rc									
<b>ori</b>	24		S			A	UIMM																					
<b>oris</b>	25		S			A	UIMM																					
<b>xorx</b>	31		S			A		B	316										Rc									
<b>xori</b>	26		S			A	UIMM																					
<b>xoris</b>	27		S			A	UIMM																					

**Note:**  
<sup>1</sup> 64-bit instruction

**Table A-6. Integer Rotate Instructions**

Name	0	5	6	7	8	9	10	11	12	13	14	15	16	17	18	19	20	21	22	23	24	25	26	27	28	29	30	31
<b>rldclx</b> <sup>1</sup>	30		S						A						B					mb				8				Rc
<b>rldcrx</b> <sup>1</sup>	30		S						A						B					me				9				Rc
<b>rldicx</b> <sup>1</sup>	30		S						A						sh					mb			2		sh			Rc
<b>rldicl</b> <sup>1</sup>	30		S						A						sh					mb			0		sh			Rc
<b>rldicr</b> <sup>1</sup>	30		S						A						sh					me			1		sh			Rc
<b>rldimix</b> <sup>1</sup>	30		S						A						sh					mb			3		sh			Rc
<b>rlwimx</b>	22		S						A						SH					MB					ME			Rc
<b>rlwinmx</b>	20		S						A						SH					MB					ME			Rc
<b>rlwnmx</b>	21		S						A						SH					MB					ME			Rc

**Note:**  
<sup>1</sup> 64-bit instruction

**Table A-7. Integer Shift Instructions**

Name	0	5	6	7	8	9	10	11	12	13	14	15	16	17	18	19	20	21	22	23	24	25	26	27	28	29	30	31
<b>sldx</b> <sup>1</sup>	31		S						A						B									27				Rc
<b>slwx</b>	31		S						A						B									24				Rc
<b>sradx</b> <sup>1</sup>	31		S						A						B									794				Rc
<b>sradix</b> <sup>1</sup>	31		S						A						sh								413		sh			Rc
<b>srawx</b>	31		S						A						B									792				Rc
<b>srawix</b>	31		S						A						SH									824				Rc
<b>srdx</b> <sup>1</sup>	31		S						A						B									539				Rc
<b>srwx</b>	31		S						A						B									536				Rc

**Note:**  
<sup>1</sup> 64-bit instruction

**Table A-8. Floating-Point Arithmetic Instructions**

Name	0	5	6	7	8	9	10	11	12	13	14	15	16	17	18	19	20	21	22	23	24	25	26	27	28	29	30	31
<b>faddx</b>	63				D					A					B				00000					21				Rc
<b>faddsx</b>	59				D					A					B				00000					21				Rc
<b>fdivx</b>	63				D					A					B				00000					18				Rc
<b>fdivsx</b>	59				D					A					B				00000					18				Rc
<b>fmulx</b>	63				D					A			00000						C					25				Rc
<b>fmulsx</b>	59				D					A			00000						C					25				Rc
<b>fresx<sup>1</sup></b>	59				D				00000						B				00000					24				Rc
<b>frsqrtox<sup>1</sup></b>	63				D				00000						B				00000					26				Rc
<b>fsubx</b>	63				D					A					B				00000					20				Rc
<b>fsubsx</b>	59				D					A					B				00000					20				Rc
<b>fselx<sup>1</sup></b>	63				D					A					B				C					23				Rc
<b>fsqrtx<sup>1,2</sup></b>	63				D				00000						B				00000					22				Rc
<b>fsqrtsx<sup>1,2</sup></b>	59				D				00000						B				00000					22				Rc

Note:

<sup>1</sup> Optional instruction

<sup>2</sup> 32-bit instruction not implemented by the MPC750

**Table A-9. Floating-Point Multiply-Add Instructions**

Name	0	5	6	7	8	9	10	11	12	13	14	15	16	17	18	19	20	21	22	23	24	25	26	27	28	29	30	31
<b>fmaddx</b>	63				D					A					B				C						29			Rc
<b>fmaddsx</b>	59				D					A					B				C						29			Rc
<b>fmsubx</b>	63				D					A					B				C						28			Rc
<b>fmsubsx</b>	59				D					A					B				C						28			Rc
<b>fnmaddx</b>	63				D					A					B				C						31			Rc
<b>fnmaddsx</b>	59				D					A					B				C						31			Rc
<b>fnmsubx</b>	63				D					A					B				C						30			Rc
<b>fnmsubsx</b>	59				D					A					B				C						30			Rc

**Table A-10. Floating-Point Rounding and Conversion Instructions**

Name	0	5	6	7	8	9	10	11	12	13	14	15	16	17	18	19	20	21	22	23	24	25	26	27	28	29	30	31	
<b>fctid<sup>1</sup></b>	63								0	0	0	0			B														Rc
<b>fctid<sup>1</sup></b>	63								0	0	0	0			B														Rc
<b>fctidz<sup>1</sup></b>	63								0	0	0	0			B														Rc
<b>fctiw<sup>1</sup></b>	63								0	0	0	0			B														Rc
<b>fctiwz<sup>1</sup></b>	63								0	0	0	0			B														Rc
<b>frsp<sup>1</sup></b>	63								0	0	0	0			B														Rc

Note:

<sup>1</sup> 64-bit instruction

**Table A-11. Floating-Point Compare Instructions**

Name	0	5	6	7	8	9	10	11	12	13	14	15	16	17	18	19	20	21	22	23	24	25	26	27	28	29	30	31	
<b>fcmpo</b>	63		crfD				0	0			A				B														0
<b>fcmpu</b>	63		crfD				0	0			A				B														0

**Table A-12. Floating-Point Status and Control Register Instructions**

Name	0	5	6	7	8	9	10	11	12	13	14	15	16	17	18	19	20	21	22	23	24	25	26	27	28	29	30	31	
<b>mcrfs</b>	63		crfD			0	0		crfS		0	0			0	0	0	0	0	0									0
<b>mffsx</b>	63								D		0	0	0	0	0	0													Rc
<b>mtfsb0x</b>	63								crbD		0	0	0	0	0														Rc
<b>mtfsb1x</b>	63								crbD		0	0	0	0	0														Rc
<b>mtfsfx</b>	31		0						FM						0														Rc
<b>mtfsfix</b>	63								crfD		0	0			0	0	0	0	0										Rc

**Table A-13. Integer Load Instructions**

Name	0	5	6	7	8	9	10	11	12	13	14	15	16	17	18	19	20	21	22	23	24	25	26	27	28	29	30	31	
<b>lbz</b>	34				D					A																			
<b>lbzu</b>	35				D					A																			
<b>lbzux</b>	31				D					A				B								119						0	
<b>lbzx</b>	31				D					A				B								87						0	
<b>ld<sup>1</sup></b>	58				D					A												ds						0	
<b>ldu<sup>1</sup></b>	58				D					A												ds						1	
<b>ldux<sup>1</sup></b>	31				D					A				B								53						0	
<b>ldx<sup>1</sup></b>	31				D					A				B								21						0	
<b>lha</b>	42				D					A																			
<b>lhau</b>	43				D					A																			
<b>lhaux</b>	31				D					A				B								375						0	
<b>lhax</b>	31				D					A				B								343						0	
<b>lhz</b>	40				D					A																			
<b>lhzu</b>	41				D					A																			
<b>lhzux</b>	31				D					A				B								311						0	
<b>lhzx</b>	31				D					A				B								279						0	
<b>lwa<sup>1</sup></b>	58				D					A												ds						2	
<b>lwaux<sup>1</sup></b>	31				D					A				B								373						0	
<b>lwax<sup>1</sup></b>	31				D					A				B								341						0	
<b>lwz</b>	32				D					A																			
<b>lwzu</b>	33				D					A																			
<b>lwzux</b>	31				D					A				B								55						0	
<b>lwzx</b>	31				D					A				B								23						0	

**Note:**  
<sup>1</sup> 64-bit instruction



**Table A-17. Integer Load and Store String Instructions**

Name	0	5	6	7	8	9	10	11	12	13	14	15	16	17	18	19	20	21	22	23	24	25	26	27	28	29	30	31
<b>lswi</b>	31				D						A					NB												0
<b>lswx</b>	31				D						A					B												0
<b>stswi</b>	31				S						A					NB												0
<b>stswx</b>	31				S						A					B												0

**Table A-18. Memory Synchronization Instructions**

Name	0	5	6	7	8	9	10	11	12	13	14	15	16	17	18	19	20	21	22	23	24	25	26	27	28	29	30	31	
<b>eiio</b>	31					0	0	0	0	0			0	0	0	0													0
<b>isync</b>	19					0	0	0	0	0			0	0	0	0													0
<b>ldarx</b> <sup>1</sup>	31				D						A					B												0	
<b>lwarx</b>	31				D						A					B												0	
<b>stdcx</b> <sup>1</sup>	31				S						A					B												1	
<b>stwcx</b>	31				S						A					B												1	
<b>sync</b>	31					0	0	0	0	0			0	0	0	0												0	

Note:

<sup>1</sup> 64-bit instruction

**Table A-19. Floating-Point Load Instructions**

Name	0	5	6	7	8	9	10	11	12	13	14	15	16	17	18	19	20	21	22	23	24	25	26	27	28	29	30	31
<b>lfd</b>	50				D						A																	
<b>lfdu</b>	51				D						A																	
<b>lfdux</b>	31				D						A					B												0
<b>lfdx</b>	31				D						A					B												0
<b>lfs</b>	48				D						A																	
<b>lfsu</b>	49				D						A																	
<b>lfsux</b>	31				D						A					B												0
<b>lfsx</b>	31				D						A					B												0





**Table A-23. Condition Register Logical Instructions**

Name	0	5	6	7	8	9	10	11	12	13	14	15	16	17	18	19	20	21	22	23	24	25	26	27	28	29	30	31
<b>crand</b>	19	crbD			crbA			crbB			257						0											
<b>crandc</b>	19	crbD			crbA			crbB			129						0											
<b>creqv</b>	19	crbD			crbA			crbB			289						0											
<b>crnand</b>	19	crbD			crbA			crbB			225						0											
<b>crnor</b>	19	crbD			crbA			crbB			33						0											
<b>cror</b>	19	crbD			crbA			crbB			449						0											
<b>crorc</b>	19	crbD			crbA			crbB			417						0											
<b>crxor</b>	19	crbD			crbA			crbB			193						0											
<b>mcrf</b>	19	crfD	0	0	crfS	0	0	00000			0000000000						0											

**Table A-24. System Linkage Instructions**

Name	0	5	6	7	8	9	10	11	12	13	14	15	16	17	18	19	20	21	22	23	24	25	26	27	28	29	30	31
<b>rfi</b> <sup>1,2</sup>	19	00000			00000			00000			50						0											
<b>rfd</b> <sup>1,3</sup>	19	00000			00000			00000			18						0											
<b>sc</b>	17	00000			00000			000000000000000000												1	0							

**Notes:**

- <sup>1</sup> Supervisor-level instruction
- <sup>2</sup> Optional 64-bit bridge instruction
- <sup>3</sup> 64-bit instruction

**Table A-25. Trap Instructions**

Name	0	5	6	7	8	9	10	11	12	13	14	15	16	17	18	19	20	21	22	23	24	25	26	27	28	29	30	31
<b>td</b> <sup>1</sup>	31	TO	A			B			68						0													
<b>tdi</b> <sup>1</sup>	03	TO	A			SIMM																						
<b>tw</b>	31	TO	A			B			4						0													
<b>twi</b>	03	TO	A			SIMM																						

**Note:**

- <sup>1</sup> 64-bit instruction

**Table A-26. Processor Control Instructions**

Name	0	5	6	7	8	9	10	11	12	13	14	15	16	17	18	19	20	21	22	23	24	25	26	27	28	29	30	31			
<b>mcrxr</b>	31	crfS	0	0	0	0	0	0	0	0	0	0	0	0	0	0	0	0	0	0	0	0	0	0	0	0	0	0	0	512	0
<b>mfcrr</b>	31	D	0	0	0	0	0	0	0	0	0	0	0	0	0	0	0	0	0	0	0	0	0	0	0	0	0	0	0	19	0
<b>mfmsr</b> <sup>1</sup>	31	D	0	0	0	0	0	0	0	0	0	0	0	0	0	0	0	0	0	0	0	0	0	0	0	0	0	0	0	83	0
<b>mfmspr</b> <sup>2</sup>	31	D	spr													339	0														
<b>mftb</b>	31	D	tpr													371	0														
<b>mtcrf</b>	31	S	0	CRM													0	144	0												
<b>mtmsr</b> <sup>1,3</sup>	31	S	0	0	0	0	0	0	0	0	0	0	0	0	0	0	0	0	0	0	0	0	0	0	0	0	0	0	146	0	
<b>mtmsrd</b> <sup>1,4</sup>	31	S	0	0	0	0	0	0	0	0	0	0	0	0	0	0	0	0	0	0	0	0	0	0	0	0	0	0	178	0	
<b>mtspr</b> <sup>2</sup>	31	D	spr													467	0														

**Notes:**

- <sup>1</sup> Supervisor-level instruction
- <sup>2</sup> Supervisor- and user-level instruction
- <sup>3</sup> Optional 64-bit bridge instruction
- <sup>4</sup> 64-bit instruction

**Table A-27. Cache Management Instructions**

Name	0	5	6	7	8	9	10	11	12	13	14	15	16	17	18	19	20	21	22	23	24	25	26	27	28	29	30	31
<b>dcba</b> <sup>1,3</sup>	31	0	0	0	0	0	0	0	0	A	B	758	0															
<b>dcbf</b>	31	0	0	0	0	0	0	0	0	A	B	86	0															
<b>dcbi</b> <sup>2</sup>	31	0	0	0	0	0	0	0	0	A	B	470	0															
<b>dcbst</b>	31	0	0	0	0	0	0	0	0	A	B	54	0															
<b>dcbt</b>	31	0	0	0	0	0	0	0	0	A	B	278	0															
<b>dcbstst</b>	31	0	0	0	0	0	0	0	0	A	B	246	0															
<b>dcbz</b>	31	0	0	0	0	0	0	0	0	A	B	1014	0															
<b>icbi</b>	31	0	0	0	0	0	0	0	0	A	B	982	0															

**Notes:**

- <sup>1</sup> Optional instruction
- <sup>2</sup> Supervisor-level instruction
- <sup>3</sup> 32-bit instruction not implemented by the MPC750

**Table A-28. Segment Register Manipulation Instructions.**

Name	0	5	6	7	8	9	10	11	12	13	14	15	16	17	18	19	20	21	22	23	24	25	26	27	28	29	30	31			
<b>mfsr</b> <sup>1,2</sup>	31				D			0					SR																595	0	
<b>mfsrin</b> <sup>1,2</sup>	31				D								0 0 0 0 0																B	659	0
<b>mtsr</b> <sup>1,2</sup>	31				S			0					SR																210	0	
<b>mtsrđ</b> <sup>1,2</sup>	31				S			0					SR																0 0 0 0 0	82	0
<b>mtsrđin</b> <sup>1,2</sup>	31				S								0 0 0 0 0																B	114	0
<b>mtsrin</b> <sup>1,2</sup>	31				S								0 0 0 0 0																B	242	0

**Notes:**

- <sup>1</sup> Supervisor-level instruction
- <sup>2</sup> Optional 64-bit bridge instruction

**Table A-29. Lookaside Buffer Management Instructions**

Name	0	5	6	7	8	9	10	11	12	13	14	15	16	17	18	19	20	21	22	23	24	25	26	27	28	29	30	31				
<b>slbia</b> <sup>1,2,3</sup>	31																													498	0	
<b>slbie</b> <sup>1,2,3</sup>	31																													B	434	0
<b>tlbia</b> <sup>1,2,4</sup>	31																													0 0 0 0 0	370	0
<b>tlbie</b> <sup>1,2</sup>	31																													B	306	0
<b>tlbsync</b> <sup>1,2</sup>	31																													0 0 0 0 0	566	0

**Notes:**

- <sup>1</sup> Supervisor-level instruction
- <sup>2</sup> Optional instruction
- <sup>3</sup> 64-bit instruction
- <sup>4</sup> 32-bit instruction not implemented by the MPC750

**Table A-30. External Control Instructions**

Name	0	5	6	7	8	9	10	11	12	13	14	15	16	17	18	19	20	21	22	23	24	25	26	27	28	29	30	31						
<b>eciwx</b>	31																													D	A	B	310	0
<b>ecowx</b>	31																													S	A	B	438	0

## A.4 Instructions Sorted by Form

Table A-31 through Table A-45 list the PowerPC instructions grouped by form.

Key:

Reserved bits

**Table A-31. I-Form**

OPCD		LI			AA	LK
------	--	----	--	--	----	----

Specific Instruction

Name 0 5 6 7 8 9 10 11 12 13 14 15 16 17 18 19 20 21 22 23 24 25 26 27 28 29 30 31

bx	18	LI			AA	LK
----	----	----	--	--	----	----

**Table A-32. B-Form**

OPCD	BO	BI	BD		AA	LK
------	----	----	----	--	----	----

Specific Instruction

Name 0 5 6 7 8 9 10 11 12 13 14 15 16 17 18 19 20 21 22 23 24 25 26 27 28 29 30 31

bcx	16	BO	BI	BD		AA	LK
-----	----	----	----	----	--	----	----

**Table A-33. SC-Form**

OPCD	00000	00000	0000000000000000		1	0
------	-------	-------	------------------	--	---	---

Specific Instruction

Name 0 5 6 7 8 9 10 11 12 13 14 15 16 17 18 19 20 21 22 23 24 25 26 27 28 29 30 31

sc	17	00000	00000	0000000000000000		1	0
----	----	-------	-------	------------------	--	---	---

**Table A-34. D-Form**

OPCD	D	A	d
OPCD	D	A	SIMM
OPCD	S	A	d
OPCD	S	A	UIMM
OPCD	crfD	0 L	A
OPCD	crfD	0 L	A
OPCD	TO	A	SIMM

### Specific Instructions

Name	0	5	6	7	8	9	10	11	12	13	14	15	16	17	18	19	20	21	22	23	24	25	26	27	28	29	30	31	
<b>addi</b>	14				D						A																		SIMM
<b>addic</b>	12				D						A																		SIMM
<b>addic.</b>	13				D						A																		SIMM
<b>addis</b>	15				D						A																		SIMM
<b>andi.</b>	28				S						A																		UIMM
<b>andis.</b>	29				S						A																		UIMM
<b>cmpi</b>	11			crfD		0	L				A																		SIMM
<b>cmpli</b>	10			crfD		0	L				A																		UIMM
<b>lbz</b>	34				D						A																		d
<b>lbzu</b>	35				D						A																		d
<b>lfd</b>	50				D						A																		d
<b>lfdu</b>	51				D						A																		d
<b>lfs</b>	48				D						A																		d
<b>lfsu</b>	49				D						A																		d
<b>lha</b>	42				D						A																		d
<b>lhau</b>	43				D						A																		d
<b>lhz</b>	40				D						A																		d
<b>lhzu</b>	41				D						A																		d
<b>lmw</b> <sup>1</sup>	46				D						A																		d
<b>lwz</b>	32				D						A																		d
<b>lwzu</b>	33				D						A																		d
<b>mulli</b>	7				D						A																		SIMM
<b>ori</b>	24				S						A																		UIMM
<b>oris</b>	25				S						A																		UIMM
<b>stb</b>	38				S						A																		d
<b>stbu</b>	39				S						A																		d
<b>stfd</b>	54				S						A																		d
<b>stfdu</b>	55				S						A																		d
<b>stfs</b>	52				S						A																		d
<b>stfsu</b>	53				S						A																		d
<b>sth</b>	44				S						A																		d
<b>sthu</b>	45				S						A																		d
<b>stmw</b> <sup>1</sup>	47				S						A																		d

<b>stw</b>	36	S	A	d
<b>stwu</b>	37	S	A	d
<b>subfic</b>	08	D	A	SIMM
<b>tdi</b> <sup>2</sup>	02	TO	A	SIMM
<b>twi</b>	03	TO	A	SIMM
<b>xori</b>	26	S	A	UIMM
<b>xoris</b>	27	S	A	UIMM

**Note:**

<sup>1</sup> Load/store string/multiple instruction

<sup>2</sup> 64-bit instruction

**Table A-35. DS-Form**

OPCD	D	A	ds	XO
OPCD	S	A	ds	XO

**Specific Instructions**

Name	0	5	6	7	8	9	10	11	12	13	14	15	16	17	18	19	20	21	22	23	24	25	26	27	28	29	30	31
<b>ld</b> <sup>1</sup>	58	D	A	ds	0																							
<b>ldu</b> <sup>1</sup>	58	D	A	ds	1																							
<b>lwa</b> <sup>1</sup>	58	D	A	ds	2																							
<b>std</b> <sup>1</sup>	62	S	A	ds	0																							
<b>stdu</b> <sup>1</sup>	62	S	A	ds	1																							

**Note:**

<sup>1</sup> 64-bit instruction

**Table A-36. X-Form**

OPCD	D	A	B	XO	0
OPCD	D	A	NB	XO	0
OPCD	D	0 0 0 0 0	B	XO	0
OPCD	D	0 0 0 0 0	0 0 0 0 0	XO	0
OPCD	D	0 SR	0 0 0 0 0	XO	0
OPCD	S	A	B	XO	Rc
OPCD	S	A	B	XO	1
OPCD	S	A	B	XO	0
OPCD	S	A	NB	XO	0
OPCD	S	A	0 0 0 0 0	XO	Rc

OPCD	S			00000	B		XO	0
OPCD	S			00000	00000		XO	0
OPCD	S	0		SR	00000		XO	0
OPCD	S			A	SH		XO	Rc
OPCD	crfD	0	L	A	B		XO	0
OPCD	crfD	00		A	B		XO	0
OPCD	crfD	00	crfS	00	00000		XO	0
OPCD	crfD	00		00000	00000		XO	0
OPCD	crfD	00		00000	IMM	0	XO	Rc
OPCD	TO			A	B		XO	0
OPCD	D			00000	B		XO	Rc
OPCD	D			00000	00000		XO	Rc
OPCD	crbD			00000	00000		XO	Rc
OPCD	00000			A	B		XO	0
OPCD	00000			00000	B		XO	0
OPCD	00000			00000	00000		XO	0

#### Specific Instructions

Name	0	5	6	7	8	9	10	11	12	13	14	15	16	17	18	19	20	21	22	23	24	25	26	27	28	29	30	31	
<b>andx</b>	31			S				A					B																Rc
<b>andcx</b>	31			S				A					B																Rc
<b>cmp</b>	31	crfD	0	L				A					B																0
<b>cmpl</b>	31	crfD	0	L				A					B																0
<b>cntlzdx</b> <sup>1</sup>	31			S				A					00000																Rc
<b>cntlzwx</b>	31			S				A					00000																Rc
<b>dcba</b> <sup>2,6</sup>	31			00000				A					B																0
<b>dcbf</b>	31			00000				A					B																0
<b>dcbi</b> <sup>3</sup>	31			00000				A					B																0
<b>dcbst</b>	31			00000				A					B																0
<b>dcbt</b>	31			00000				A					B																0
<b>dcbtst</b>	31			00000				A					B																0
<b>dcbz</b>	31			00000				A					B																0
<b>eciwx</b>	31			D				A					B																0
<b>ecowx</b>	31			S				A					B																0
<b>eieio</b>	31			00000				00000					00000																0



<b>eqvx</b>	31	S	A	B	284	Rc	
<b>extsbx</b>	31	S	A	00000	954	Rc	
<b>extshx</b>	31	S	A	00000	922	Rc	
<b>extswx<sup>1</sup></b>	31	S	A	00000	986	Rc	
<b>fabsx</b>	63	D	00000	B	264	Rc	
<b>fcfidx<sup>1</sup></b>	63	D	00000	B	846	Rc	
<b>fcmpto</b>	63	crfD	00	A	B	32	0
<b>fcmptu</b>	63	crfD	00	A	B	0	0
<b>fctidx<sup>1</sup></b>	63	D	00000	B	814	Rc	
<b>fctidx<sup>1</sup></b>	63	D	00000	B	815	Rc	
<b>fctiw<sup>1</sup></b>	63	D	00000	B	14	Rc	
<b>fctiwz<sup>1</sup></b>	63	D	00000	B	15	Rc	
<b>fmr<sup>1</sup></b>	63	D	00000	B	72	Rc	
<b>fnabs<sup>1</sup></b>	63	D	00000	B	136	Rc	
<b>fneg<sup>1</sup></b>	63	D	00000	B	40	Rc	
<b>frsp<sup>1</sup></b>	63	D	00000	B	12	Rc	
<b>icbi</b>	31	00000	A	B	982	0	
<b>lbzux</b>	31	D	A	B	119	0	
<b>lbzx</b>	31	D	A	B	87	0	
<b>ldar<sup>1</sup></b>	31	D	A	B	84	0	
<b>ldux<sup>1</sup></b>	31	D	A	B	53	0	
<b>ldx<sup>1</sup></b>	31	D	A	B	21	0	
<b>lfdx</b>	31	D	A	B	631	0	
<b>lfdx</b>	31	D	A	B	599	0	
<b>lfsux</b>	31	D	A	B	567	0	
<b>lfsx</b>	31	D	A	B	535	0	
<b>lhaux</b>	31	D	A	B	375	0	
<b>lhax</b>	31	D	A	B	343	0	
<b>lhrx</b>	31	D	A	B	790	0	
<b>lhzux</b>	31	D	A	B	311	0	
<b>lhzx</b>	31	D	A	B	279	0	
<b>lswi<sup>4</sup></b>	31	D	A	NB	597	0	
<b>lswx<sup>4</sup></b>	31	D	A	B	533	0	
<b>lwarx</b>	31	D	A	B	20	0	
<b>lwaux<sup>1</sup></b>	31	D	A	B	373	0	

<b>lwax</b> <sup>1</sup>	31	D	A	B	341	0		
<b>lwbrx</b>	31	D	A	B	534	0		
<b>lwzux</b>	31	D	A	B	55	0		
<b>lwzx</b>	31	D	A	B	23	0		
<b>mcrfs</b>	63	crfD	00	crfS	00	00000	64	0
<b>mcrxr</b>	31	crfD	00	00000	00000	512	0	
<b>mfcrr</b>	31	D	00000	00000	19	0		
<b>mffsx</b>	63	D	00000	00000	583	Rc		
<b>mfmsr</b> <sup>3</sup>	31	D	00000	00000	83	0		
<b>mfsr</b> <sup>3,5</sup>	31	D	0	SR	00000	595	0	
<b>mfsrin</b> <sup>3,5</sup>	31	D	00000	B	659	0		
<b>mtfsb0x</b>	63	crbD	00000	00000	70	Rc		
<b>mtfsb1x</b>	63	crfD	00000	00000	38	Rc		
<b>mtfsfix</b>	63	crbD	00	00000	IMM	0	134	Rc
<b>mtmsr</b> <sup>3,5</sup>	31	S	00000	00000	146	0		
<b>mtmsrd</b> <sup>1,3</sup>	31	S	00000	00000	178	0		
<b>mtsr</b> <sup>3,5</sup>	31	S	0	SR	00000	210	0	
<b>mtsrdr</b> <sup>3,5</sup>	31	S	0	SR	00000	82	0	
<b>mtsrin</b> <sup>3,5</sup>	31	S	00000	B	242	0		
<b>mtsrin</b> <sup>3,5</sup>	31	S	00000	B	114	0		
<b>nandx</b>	31	S	A	B	476	Rc		
<b>norx</b>	31	S	A	B	124	Rc		
<b>orx</b>	31	S	A	B	444	Rc		
<b>orcx</b>	31	S	A	B	412	Rc		
<b>slbia</b> <sup>1,2,3</sup>	31	00000	00000	00000	498	0		
<b>slbie</b> <sup>1,2,3</sup>	31	00000	00000	B	434	0		
<b>sldx</b> <sup>1</sup>	31	S	A	B	27	Rc		
<b>slwx</b>	31	S	A	B	24	Rc		
<b>sradx</b> <sup>1</sup>	31	S	A	B	794	Rc		
<b>srawx</b>	31	S	A	B	792	Rc		
<b>srawix</b>	31	S	A	SH	824	Rc		
<b>srdx</b> <sup>1</sup>	31	S	A	B	539	Rc		
<b>srwx</b>	31	S	A	B	536	Rc		
<b>stbux</b>	31	S	A	B	247	0		
<b>stbx</b>	31	S	A	B	215	0		

<b>stdcx.</b> <sup>1</sup>	31	S	A	B	214	1
<b>stdux</b> <sup>1</sup>	31	S	A	B	181	0
<b>stdx</b> <sup>1</sup>	31	S	A	B	149	0
<b>stfdx</b>	31	S	A	B	759	0
<b>stfdx</b>	31	S	A	B	727	0
<b>stfiwx</b> <sup>2</sup>	31	S	A	B	983	0
<b>stfsux</b>	31	S	A	B	695	0
<b>stfsx</b>	31	S	A	B	663	0
<b>sthbrx</b>	31	S	A	B	918	0
<b>sthux</b>	31	S	A	B	439	0
<b>sthx</b>	31	S	A	B	407	0
<b>stswi</b> <sup>4</sup>	31	S	A	NB	725	0
<b>stswx</b> <sup>4</sup>	31	S	A	B	661	0
<b>stwbrx</b>	31	S	A	B	662	0
<b>stwcx.</b>	31	S	A	B	150	1
<b>stwux</b>	31	S	A	B	183	0
<b>stwx</b>	31	S	A	B	151	0
<b>sync</b>	31	00000	00000	00000	598	0
<b>td</b> <sup>1</sup>	31	TO	A	B	68	0
<b>tlbia</b> <sup>2,3,6</sup>	31	00000	00000	00000	370	0
<b>tlbie</b> <sup>2,3</sup>	31	00000	00000	B	306	0
<b>tlbsync</b> <sup>2,3</sup>	31	00000	00000	00000	566	0
<b>tw</b>	31	TO	A	B	4	0
<b>xorx</b>	31	S	A	B	316	Rc

**Notes:**

<sup>1</sup> 64-bit instruction

<sup>2</sup> Optional instruction

<sup>3</sup> Supervisor-level instruction

<sup>4</sup> Load/store string/multiple instruction

<sup>5</sup> Optional 64-bit bridge instruction

<sup>6</sup> 32-bit instruction not implemented by the MPC750

**Table A-37. XL-Form**

OPCD	BO		BI		0 0 0 0 0	XO	LK
OPCD	crbD		crbA		crbB		0
OPCD	crfD	0 0	crfS	0 0	0 0 0 0 0	XO	0
OPCD	0 0 0 0 0		0 0 0 0 0		0 0 0 0 0	XO	0

**Specific Instructions**

Name	0	5	6	7	8	9	10	11	12	13	14	15	16	17	18	19	20	21	22	23	24	25	26	27	28	29	30	31
<b>bcctrx</b>	19	BO		BI		0 0 0 0 0					528					LK												
<b>bclrx</b>	19	BO		BI		0 0 0 0 0					16					LK												
<b>crand</b>	19	crbD		crbA		crbB					257					0												
<b>crandc</b>	19	crbD		crbA		crbB					129					0												
<b>creqv</b>	19	crbD		crbA		crbB					289					0												
<b>crnand</b>	19	crbD		crbA		crbB					225					0												
<b>crnor</b>	19	crbD		crbA		crbB					33					0												
<b>cror</b>	19	crbD		crbA		crbB					449					0												
<b>crorc</b>	19	crbD		crbA		crbB					417					0												
<b>crxor</b>	19	crbD		crbA		crbB					193					0												
<b>isync</b>	19	0 0 0 0 0		0 0 0 0 0		0 0 0 0 0					150					0												
<b>mcrf</b>	19	crfD	0 0	crfS	0 0	0 0 0 0 0					0					0												
<b>rfi</b> <sup>1,2</sup>	19	0 0 0 0 0		0 0 0 0 0		0 0 0 0 0					50					0												
<b>rfd</b> <sup>1,3</sup>	19	0 0 0 0 0		0 0 0 0 0		0 0 0 0 0					18					0												

**Notes:**

- <sup>1</sup> Supervisor-level instruction
- <sup>2</sup> Optional 64-bit bridge instruction
- <sup>3</sup> 64-bit instruction

**Table A-38. XFX-Form**

OPCD	D	spr					XO	0
OPCD	D	0	CRM			0	XO	0
OPCD	S	spr					XO	0
OPCD	D	tbr					XO	0

**Specific Instructions**

Name	0	5	6	7	8	9	10	11	12	13	14	15	16	17	18	19	20	21	22	23	24	25	26	27	28	29	30	31
<b>mfspr</b> <sup>1</sup>	31	D		spr					339					0														

<b>mtfb</b>	31	D	tbr				371	0		
<b>mtrcf</b>	31	S	0	CRM				0	144	0
<b>mtspr</b> <sup>1</sup>	31	D	spr				467	0		

**Note:**

<sup>1</sup> Supervisor- and user-level instruction

**Table A-39. XFL-Form**

OPCD	0	FM				0	B	XO				Rc
------	---	----	--	--	--	---	---	----	--	--	--	----

**Specific Instructions**

Name	0	5	6	7	8	9	10	11	12	13	14	15	16	17	18	19	20	21	22	23	24	25	26	27	28	29	30	31
<b>mtfsfx</b>	63	0	FM				0	B	711				Rc															

**Table A-40. XS-Form**

OPCD	S	A	sh	XO				sh	Rc
------	---	---	----	----	--	--	--	----	----

**Specific Instructions**

Name	0	5	6	7	8	9	10	11	12	13	14	15	16	17	18	19	20	21	22	23	24	25	26	27	28	29	30	31
<b>sradix</b> <sup>1</sup>	31	S	A	sh	413				sh	Rc																		

**Note:**

<sup>1</sup> 64-bit instruction

**Table A-41. XO-Form**

OPCD	D	A	B	OE	XO				Rc
OPCD	D	A	B	0	XO				Rc
OPCD	D	A	0 0 0 0 0	OE	XO				Rc

**Specific Instructions**

Name	0	5	6	7	8	9	10	11	12	13	14	15	16	17	18	19	20	21	22	23	24	25	26	27	28	29	30	31
<b>addx</b>	31	D	A	B	OE	266				Rc																		
<b>addcx</b>	31	D	A	B	OE	10				Rc																		
<b>addex</b>	31	D	A	B	OE	138				Rc																		
<b>addmex</b>	31	D	A	0 0 0 0 0	OE	234				Rc																		
<b>addzex</b>	31	D	A	0 0 0 0 0	OE	202				Rc																		
<b>divdx</b> <sup>1</sup>	31	D	A	B	OE	489				Rc																		
<b>divdux</b> <sup>1</sup>	31	D	A	B	OE	457				Rc																		
<b>divwx</b>	31	D	A	B	OE	491				Rc																		

<b>divwux</b>	31	D	A	B	OE	459	Rc
<b>mulhd<sub>x</sub><sup>1</sup></b>	31	D	A	B	0	73	Rc
<b>mulhdu<sub>x</sub><sup>1</sup></b>	31	D	A	B	0	9	Rc
<b>mulhw<sub>x</sub></b>	31	D	A	B	0	75	Rc
<b>mulhwu<sub>x</sub></b>	31	D	A	B	0	11	Rc
<b>mulld<sub>x</sub><sup>1</sup></b>	31	D	A	B	OE	233	Rc
<b>mullw<sub>x</sub></b>	31	D	A	B	OE	235	Rc
<b>neg<sub>x</sub></b>	31	D	A	00000	OE	104	Rc
<b>subf<sub>x</sub></b>	31	D	A	B	OE	40	Rc
<b>subfc<sub>x</sub></b>	31	D	A	B	OE	8	Rc
<b>subfex</b>	31	D	A	B	OE	136	Rc
<b>subfmex</b>	31	D	A	00000	OE	232	Rc
<b>subfzex</b>	31	D	A	00000	OE	200	Rc

Note:

<sup>1</sup> 64-bit instruction

**Table A-42. A-Form**

OPCD	D	A	B	00000	XO	Rc
OPCD	D	A	B	C	XO	Rc
OPCD	D	A	00000	C	XO	Rc
OPCD	D	00000	B	00000	XO	Rc

**Specific Instructions**

Name	0	5	6	7	8	9	10	11	12	13	14	15	16	17	18	19	20	21	22	23	24	25	26	27	28	29	30	31
<b>fadd<sub>x</sub></b>	63	D	A	B	00000	21	Rc																					
<b>fadds<sub>x</sub></b>	59	D	A	B	00000	21	Rc																					
<b>fdiv<sub>x</sub></b>	63	D	A	B	00000	18	Rc																					
<b>fdivs<sub>x</sub></b>	59	D	A	B	00000	18	Rc																					
<b>fmadd<sub>x</sub></b>	63	D	A	B	C	29	Rc																					
<b>fmadds<sub>x</sub></b>	59	D	A	B	C	29	Rc																					
<b>fmsub<sub>x</sub></b>	63	D	A	B	C	28	Rc																					
<b>fmsubs<sub>x</sub></b>	59	D	A	B	C	28	Rc																					
<b>fmul<sub>x</sub></b>	63	D	A	00000	C	25	Rc																					
<b>fmuls<sub>x</sub></b>	59	D	A	00000	C	25	Rc																					
<b>fnmadd<sub>x</sub></b>	63	D	A	B	C	31	Rc																					
<b>fnmadds<sub>x</sub></b>	59	D	A	B	C	31	Rc																					

<b>fnmsubx</b>	63	D	A	B	C	30	Rc
<b>fnmsubsx</b>	59	D	A	B	C	30	Rc
<b>fresx</b> <sup>1</sup>	59	D	0 0 0 0 0	B	0 0 0 0 0	24	Rc
<b>frsqrtox</b> <sup>1</sup>	63	D	0 0 0 0 0	B	0 0 0 0 0	26	Rc
<b>fselx</b> <sup>1</sup>	63	D	A	B	C	23	Rc
<b>fsqrtx</b> <sup>1,2</sup>	63	D	0 0 0 0 0	B	0 0 0 0 0	22	Rc
<b>fsqrtxs</b> <sup>1,2</sup>	59	D	0 0 0 0 0	B	0 0 0 0 0	22	Rc
<b>fsubx</b>	63	D	A	B	0 0 0 0 0	20	Rc
<b>fsubsx</b>	59	D	A	B	0 0 0 0 0	20	Rc

**Note:**

<sup>1</sup> Optional instruction

<sup>2</sup> 32-bit instruction not implemented by the MPC750

**Table A-43. M-Form**

OPCD	S	A	SH	MB	ME	Rc
OPCD	S	A	B	MB	ME	Rc

**Specific Instructions**

Name 0 5 6 7 8 9 10 11 12 13 14 15 16 17 18 19 20 21 22 23 24 25 26 27 28 29 30 31

<b>rlwimx</b>	20	S	A	SH	MB	ME	Rc
<b>rlwinmx</b>	21	S	A	SH	MB	ME	Rc
<b>rlwnmx</b>	23	S	A	B	MB	ME	Rc

**Table A-44. MD-Form**

OPCD	S	A	sh	mb	XO	sh	Rc
OPCD	S	A	sh	me	XO	sh	Rc

**Specific Instructions**

Name 0 5 6 7 8 9 10 11 12 13 14 15 16 17 18 19 20 21 22 23 24 25 26 27 28 29 30 31

<b>rldicx</b> <sup>1</sup>	30	S	A	sh	mb	2	sh	Rc
<b>rldiclx</b> <sup>1</sup>	30	S	A	sh	mb	0	sh	Rc
<b>rldicrx</b> <sup>1</sup>	30	S	A	sh	me	1	sh	Rc
<b>rldimix</b> <sup>1</sup>	30	S	A	sh	mb	3	sh	Rc

**Note:**

<sup>1</sup> 64-bit instruction

**Table A-45. MDS-Form**

OPCD	S	A	B	mb	XO	Rc
OPCD	S	A	B	me	XO	Rc

**Specific Instructions**

Name	0	5	6	7	8	9	10	11	12	13	14	15	16	17	18	19	20	21	22	23	24	25	26	27	28	29	30	31	
<b>rdclx</b> <sup>1</sup>	30	S	A	B	mb	8	Rc																						
<b>rdcrx</b> <sup>1</sup>	30	S	A	B	me	9	Rc																						

**Note:**  
<sup>1</sup> 64-bit instruction



## A.5 Instruction Set Legend

Table A-46 provides general information on the PowerPC instruction set (such as the architectural level, privilege level, and form).

**Table A-46. PowerPC Instruction Set Legend**

	UISA	VEA	OEA	Supervisor Level	64-Bit Only	64-Bit Bridge	Optional	Form
<b>addx</b>	√							XO
<b>addcx</b>	√							XO
<b>addex</b>	√							XO
<b>addi</b>	√							D
<b>addic</b>	√							D
<b>addic.</b>	√							D
<b>addis</b>	√							D
<b>addmex</b>	√							XO
<b>addzex</b>	√							XO
<b>andx</b>	√							X
<b>andcx</b>	√							X
<b>andi.</b>	√							D
<b>andis.</b>	√							D
<b>bx</b>	√							I
<b>bcx</b>	√							B
<b>bcctrx</b>	√							XL
<b>bclrx</b>	√							XL
<b>cmp</b>	√							X
<b>cmpi</b>	√							D
<b>cmpl</b>	√							X
<b>cmpli</b>	√							D
<b>cntlzdx</b>	√				√			X
<b>cntlzwx</b>	√							X
<b>crand</b>	√							XL
<b>crandc</b>	√							XL
<b>creqv</b>	√							XL
<b>crnand</b>	√							XL
<b>crnor</b>	√							XL

**Table A-46. PowerPC Instruction Set Legend (Continued)**

	UISA	VEA	OEA	Supervisor Level	64-Bit Only	64-Bit Bridge	Optional	Form
<b>cror</b>	√							XL
<b>crorc</b>	√							XL
<b>crxor</b>	√							XL
<b>dcba<sup>3</sup></b>		√					√	X
<b>dcbf</b>		√						X
<b>dcbi</b>			√	√				X
<b>dcbst</b>		√						X
<b>dcbt</b>		√						X
<b>dcbtst</b>		√						X
<b>dcbz</b>		√						X
<b>divdx</b>	√				√			XO
<b>divdux</b>	√				√			XO
<b>divwx</b>	√							XO
<b>divwux</b>	√							XO
<b>eciwx</b>		√					√	X
<b>ecowx</b>		√					√	X
<b>eieio</b>		√						X
<b>eqvx</b>	√							X
<b>extsbx</b>	√							X
<b>extshx</b>	√							X
<b>extswx</b>	√				√			X
<b>fabsx</b>	√							X
<b>faddx</b>	√							A
<b>faddsx</b>	√							A
<b>fcfdx</b>	√				√			X
<b>fcmpo</b>	√							X
<b>fcmpu</b>	√							X
<b>fctidx</b>	√				√			X
<b>fctidzx</b>	√				√			X
<b>fctiwx</b>	√							X
<b>fctiwzx</b>	√						√	X
<b>fdivx</b>	√							A

**Table A-46. PowerPC Instruction Set Legend (Continued)**

	UISA	VEA	OEA	Supervisor Level	64-Bit Only	64-Bit Bridge	Optional	Form
<b>fdivsx</b>	√							A
<b>fmaddx</b>	√							A
<b>fmaddsx</b>	√							A
<b>fmr<sub>x</sub></b>	√							X
<b>fmsub<sub>x</sub></b>	√							A
<b>fmsubs<sub>x</sub></b>	√							A
<b>fmul<sub>x</sub></b>	√							A
<b>fmuls<sub>x</sub></b>	√							A
<b>fnabs<sub>x</sub></b>	√							X
<b>fneg<sub>x</sub></b>	√							X
<b>fnmadd<sub>x</sub></b>	√							A
<b>fnmaddsx</b>	√							A
<b>fnmsub<sub>x</sub></b>	√							A
<b>fnmsubs<sub>x</sub></b>	√							A
<b>fres<sub>x</sub></b>	√						√	A
<b>frsp<sub>x</sub></b>	√							X
<b>frsqrte<sub>x</sub></b>	√						√	A
<b>fsel<sub>x</sub></b>	√						√	A
<b>fsqrt<sub>x</sub><sup>3</sup></b>	√						√	A
<b>fsqrts<sub>x</sub><sup>3</sup></b>	√						√	A
<b>fsub<sub>x</sub></b>	√							A
<b>fsubs<sub>x</sub></b>	√							A
<b>icbi</b>		√						X
<b>isync</b>		√						XL
<b>lbz</b>	√							D
<b>lbzu</b>	√							D
<b>lbzux</b>	√							X
<b>lbzx</b>	√							X
<b>ld</b>	√				√			DS
<b>ldar<sub>x</sub></b>	√				√			X
<b>ldu</b>	√				√			DS
<b>ldux</b>	√				√			X

**Table A-46. PowerPC Instruction Set Legend (Continued)**

	UISA	VEA	OEA	Supervisor Level	64-Bit Only	64-Bit Bridge	Optional	Form
ldx	√				√			X
lfd	√							D
lfdx	√							X
lfdux	√							X
lfs	√							D
lfsu	√							D
lfsux	√							X
lfsx	√							X
lha	√							D
lhau	√							D
lhaux	√							X
lhax	√							X
lhbrx	√							X
lhz	√							D
lhzu	√							D
lhzux	√							X
lhzx	√							X
lmw <sup>2</sup>	√							D
lswi <sup>2</sup>	√							X
lswx <sup>2</sup>	√							X
lwa	√				√			DS
lwarx	√							X
lwaux	√				√			X
lwax	√				√			X
lwbrx	√							X
lwz	√							D
lwzu	√							D
lwzux	√							X
lwzx	√							X
mcrf	√							XL
mcrfs	√							X

**Table A-46. PowerPC Instruction Set Legend (Continued)**

	UISA	VEA	OEA	Supervisor Level	64-Bit Only	64-Bit Bridge	Optional	Form
mcrxr	√							X
mfcrr	√							X
mffs	√							X
mfmsr			√	√				X
mfspr <sup>1</sup>	√		√	√				XFx
mfsr <sup>4</sup>			√	√		√	√	X
mfsrin <sup>4</sup>			√	√		√	√	X
mftb		√						XFx
mtcrf	√							XFx
mtfsb0x	√							X
mtfsb1x	√							X
mtfsfx	√							XFL
mtfsfix	√							X
mtmsr <sup>4</sup>			√	√		√	√	X
mtmsrd			√	√	√			X
mtspr <sup>1</sup>	√		√	√				XFx
mtsrr <sup>4</sup>			√	√		√	√	X
mtsrd <sup>4</sup>			√	√	√	√	√	X
mtsrdin <sup>4</sup>			√	√	√	√	√	X
mtsrin <sup>4</sup>			√	√		√	√	X
mulhd <sub>x</sub>	√				√			XO
mulhdu <sub>x</sub>	√				√			XO
mulhw <sub>x</sub>	√							XO
mulhwu <sub>x</sub>	√							XO
mulld <sub>x</sub>	√				√			XO
mulli	√							D
mullw <sub>x</sub>	√							XO
nand <sub>x</sub>	√							X
neg <sub>x</sub>	√							XO
nor <sub>x</sub>	√							X
or <sub>x</sub>	√							X
orc <sub>x</sub>	√							X

**Table A-46. PowerPC Instruction Set Legend (Continued)**

	UISA	VEA	OEA	Supervisor Level	64-Bit Only	64-Bit Bridge	Optional	Form
<b>ori</b>	√							D
<b>oris</b>	√							D
<b>rfi</b> <sup>4</sup>			√	√		√	√	XL
<b>rfid</b>			√	√	√			XL
<b>rdclx</b>	√				√			MDS
<b>rdcrx</b>	√				√			MDS
<b>rdicx</b>	√				√			MD
<b>rdicl<sub>x</sub></b>	√				√			MD
<b>rdicr<sub>x</sub></b>	√				√			MD
<b>rdimix</b>	√				√			MD
<b>rlwimix</b>	√							M
<b>rlwinm<sub>x</sub></b>	√							M
<b>rlwnm<sub>x</sub></b>	√							M
<b>sc</b>	√		√					SC
<b>slbia</b>			√	√	√		√	X
<b>slbie</b>			√	√	√		√	X
<b>sld<sub>x</sub></b>	√				√			X
<b>slw<sub>x</sub></b>	√							X
<b>srad<sub>x</sub></b>	√				√			X
<b>sradix</b>	√				√			XS
<b>sraw<sub>x</sub></b>	√							X
<b>srawix</b>	√							X
<b>srd<sub>x</sub></b>	√				√			X
<b>srw<sub>x</sub></b>	√							X
<b>stb</b>	√							D
<b>stbu</b>	√							D
<b>stbux</b>	√							X
<b>stbx</b>	√							X
<b>std</b>	√				√			DS
<b>stdc<sub>x</sub></b>	√				√			X
<b>stdu</b>	√				√			DS
<b>stdux</b>	√				√			X

**Table A-46. PowerPC Instruction Set Legend (Continued)**

	UISA	VEA	OEA	Supervisor Level	64-Bit Only	64-Bit Bridge	Optional	Form
stdx	√				√			X
stfd	√							D
stfdu	√							D
stfdx	√							X
stfdx	√							X
stfiwx	√						√	X
stfs	√							D
stfsu	√							D
stfsux	√							X
stfsx	√							X
sth	√							D
sthbrx	√							X
sthu	√							D
sthux	√							X
sthx	√							X
stmw <sup>2</sup>	√							D
stswi <sup>2</sup>	√							X
stswx <sup>2</sup>	√							X
stw	√							D
stwbrx	√							X
stwcx.	√							X
stwu	√							D
stwux	√							X
stwx	√							X
subfx	√							XO
subfcx	√							XO
subfex	√							XO
subfic	√							D
subfmex	√							XO
subfzex	√							XO
sync	√							X
td	√				√			X

**Table A-46. PowerPC Instruction Set Legend (Continued)**

	UISA	VEA	OEA	Supervisor Level	64-Bit Only	64-Bit Bridge	Optional	Form
<b>tdi</b>	√				√			D
<b>tlbiax<sup>3</sup></b>			√	√			√	X
<b>tlbiex</b>			√	√			√	X
<b>tlbsync</b>			√	√			√	X
<b>tw</b>	√							X
<b>twi</b>	√							D
<b>xorx</b>	√							X
<b>xori</b>	√							D
<b>xoris</b>	√							D

**Notes:**

- <sup>1</sup> Supervisor- and user-level instruction
- <sup>2</sup> Load/store string or multiple instruction
- <sup>3</sup> 32-bit instruction not implemented by the MPC750
- <sup>4</sup> Instruction is optional for 64-bit implementations only



## Appendix B Instructions Not Implemented

This appendix provides a list of the 32-bit and 64-bit PowerPC instructions that are not implemented in the MPC750 microprocessor. Note that any attempt to execute instructions that are not implemented on the MPC750 will generate an illegal instruction exception. Note that exceptions are referred to as interrupts in the architecture specification.

Table B-1 provides the 32-bit PowerPC instructions that are optional to the PowerPC architecture but not implemented by the MPC750.

**Table B-1. 32-Bit Instructions Not Implemented by the MPC750 Processor**

Mnemonic	Instruction
<b>dcba</b>	Data Cache Block Allocate
<b>fsqrt</b>	Floating Square Root (Double-Precision)
<b>fsqrts</b>	Floating Square Root Single
<b>tlbia</b>	TLB Invalidate All

Table B-2 provides a list of 64-bit instructions that are not implemented by the MPC750.

**Table B-2. 64-Bit Instructions Not Implemented by the MPC750 Processor**

Mnemonic	Instruction
<b>cntlzd</b>	Count Leading Zeros Double Word
<b>divd</b>	Divide Double Word
<b>divdu</b>	Divide Double Word Unsigned
<b>extsw</b>	Extend Sign Word
<b>fcfid</b>	Floating Convert From Integer Double Word
<b>fctid</b>	Floating Convert to Integer Double Word
<b>fctidz</b>	Floating Convert to Integer Double Word with Round toward Zero
<b>ld</b>	Load Double Word
<b>ldarx</b>	Load Double Word and Reserve Indexed
<b>ldu</b>	Load Double Word with Update

**Table B-2. 64-Bit Instructions Not Implemented by the MPC750 Processor**

<b>Mnemonic</b>	<b>Instruction</b>
<b>ldux</b>	Load Double Word with Update Indexed
<b>ldx</b>	Load Double Word Indexed
<b>lwa</b>	Load Word Algebraic
<b>lwaux</b>	Load Word Algebraic with Update Indexed
<b>lwx</b>	Load Word Algebraic Indexed
<b>mtmsrd</b>	Move to Machine State Register Double Word
<b>mtsrđ</b>	Move to Segment Register Double Word
<b>mtsrđin</b>	Move to Segment Register Double Word Indirect
<b>mulđ</b>	Multiply Low Double Word
<b>mulhd</b>	Multiply High Double Word
<b>mulhđ</b>	Multiply High Double Word Unsigned
<b>rdcl</b>	Rotate Left Double Word then Clear Left
<b>rdcr</b>	Rotate Left Double Word then Clear Right
<b>rdic</b>	Rotate Left Double Word Immediate then Clear
<b>rdicl</b>	Rotate Left Double Word Immediate then Clear Left
<b>rdicr</b>	Rotate Left Double Word Immediate then Clear Right
<b>rdimi</b>	Rotate Left Double Word Immediate then Mask Insert
<b>slbia</b>	SLB Invalidate All
<b>slbie</b>	SLB Invalidate Entry
<b>sld</b>	Shift Left Double Word
<b>srad</b>	Shift Right Algebraic Double Word
<b>sradi</b>	Shift Right Algebraic Double Word Immediate
<b>srd</b>	Shift Right Double Word
<b>std</b>	Store Double Word
<b>stdcx.</b>	Store Double Word Conditional Indexed
<b>stdu</b>	Store Double Word with Update
<b>stdux</b>	Store Double Word Indexed with Update
<b>stdx</b>	Store Double Word Indexed
<b>td</b>	Trap Double Word
<b>tdi</b>	Trap Double Word Immediate

# Glossary of Terms and Abbreviations

The glossary contains an alphabetical list of terms, phrases, and abbreviations used in this book. Some of the terms and definitions included in the glossary are reprinted from *IEEE Std 754-1985, IEEE Standard for Binary Floating-Point Arithmetic*, copyright ©1985 by the Institute of Electrical and Electronics Engineers, Inc. with the permission of the IEEE.

---

**A** **Architecture.** A detailed specification of requirements for a processor or computer system. It does not specify details of how the processor or computer system must be implemented; instead it provides a template for a family of compatible *implementations*.

**Asynchronous exception.** *Exceptions* that are caused by events external to the processor's execution. In this document, the term 'asynchronous exception' is used interchangeably with the word *interrupt*.

**Atomic access.** A bus access that attempts to be part of a read-write operation to the same address uninterrupted by any other access to that address (the term refers to the fact that the transactions are indivisible). The PowerPC architecture implements atomic accesses through the **lwarx/stwax** instruction pair.

---

**B** **BAT (block address translation) mechanism.** A software-controlled array that stores the available block address translations on-chip.

**Biased exponent.** An *exponent* whose range of values is shifted by a constant (bias). Typically a bias is provided to allow a range of positive values to express a range that includes both positive and negative values.

**Big-endian.** A byte-ordering method in memory where the address *n* of a word corresponds to the *most-significant byte*. In an addressed memory word, the bytes are ordered (left to right) 0, 1, 2, 3, with 0 being the most-significant byte. *See Little-endian*.

**Block.** An area of memory that ranges from 128 Kbyte to 256 Mbyte whose size, translation, and protection attributes are controlled by the *BAT mechanism*.

**Boundedly undefined.** A characteristic of certain operation results that are not rigidly prescribed by the PowerPC architecture. Boundedly-undefined results for a given operation may vary among implementations and between execution attempts in the same implementation.

Although the architecture does not prescribe the exact behavior for when results are allowed to be boundedly undefined, the results of executing instructions in contexts where results are allowed to be boundedly undefined are constrained to ones that could have been achieved by executing an arbitrary sequence of defined instructions, in valid form, starting in the state the machine was in before attempting to execute the given instruction.

**Branch folding.** The replacement with target instructions of a branch instruction and any instructions along the not-taken path when a branch is either taken or predicted as taken.

**Branch prediction**—The process of guessing whether a branch will be taken. Such predictions can be correct or incorrect; the term ‘predicted’ as it is used here does not imply that the prediction is correct (successful). The PowerPC architecture defines a means for static branch prediction as part of the instruction encoding.

**Branch resolution**—The determination of whether a branch is taken or not taken. A branch is said to be resolved when the processor can determine which instruction path to take. If the branch is resolved as predicted, the instructions following the predicted branch that may have been speculatively executed can complete (see completion). If the branch is not resolved as predicted, instructions on the mispredicted path, and any results of speculative execution, are purged from the pipeline and fetching continues from the nonpredicted path.

**Burst.** A multiple-beat data transfer whose total size is typically equal to a cache block.

---

## C

**Cache.** High-speed memory containing recently accessed data and/or instructions (subset of main memory).

**Cache block.** A small region of contiguous memory that is copied from memory into a *cache*. The size of a cache block may vary among processors; the maximum block size is one *page*. In PowerPC processors, *cache coherency* is maintained on a cache-block basis. Note that the term ‘cache block’ is often used interchangeably with ‘cache line’.

**Cache coherency.** An attribute wherein an accurate and common view of memory is provided to all devices that share the same memory system. Caches are coherent if a processor performing a read from its cache is supplied with data corresponding to the most recent value written to memory or to another processor’s cache.

**Cache flush.** An operation that removes from a cache any data from a specified address range. This operation ensures that any modified data within the specified address range is written back to main memory. This operation is generated typically by a Data Cache Block Flush (**dcbf**) instruction.

**Caching-inhibited.** A memory update policy in which the *cache* is bypassed and the load or store is performed to or from main memory.

**Cast-outs.** *Cache blocks* that must be written to memory when a cache miss causes a cache block to be replaced.

**Changed bit.** One of two *page history bits* found in each *page table entry* (PTE). The processor sets the changed bit if any store is performed into the *page*. *See also* Page access history bits and Referenced bit.

**Clear.** To cause a bit or bit field to register a value of zero. *See also* Set.

**Completion**—Completion occurs when an instruction has finished executing, written back any results, and is removed from the completion queue. When an instruction completes, it is guaranteed that this instruction and all previous instructions can cause no exceptions.

**Context synchronization.** An operation that ensures that all instructions in execution complete past the point where they can produce an *exception*, that all instructions in execution complete in the context in which they began execution, and that all subsequent instructions are *fetches* and executed in the new context. Context synchronization may result from executing specific instructions (such as **isync** or **rfi**) or when certain events occur (such as an exception).

**Copy-back.** An operation in which modified data in a *cache block* is copied back to memory.

---

**D** **Denormalized number.** A nonzero floating-point number whose exponent has a reserved value, usually the format's minimum, and whose explicit or implicit leading significand bit is zero.

**Direct-mapped cache.** A cache in which each main memory address can appear in only one location within the cache, operates more quickly when the memory request is a cache hit.

---

**E** **Effective address (EA).** The 32- or 64-bit address specified for a load, store, or an instruction fetch. This address is then submitted to the MMU for translation to either a *physical memory* address or an I/O address.

**Exception.** A condition encountered by the processor that requires special, supervisor-level processing.

**Exception handler.** A software routine that executes when an exception is taken. Normally, the exception handler corrects the condition that caused the exception, or performs some other meaningful task (that may include aborting the program that caused the exception). The address for each exception handler is identified by an exception vector offset defined by the architecture and a prefix selected via the MSR.

**Exclusive state.** MEI state (E) in which only one caching device contains data that is also in system memory.

**Execution synchronization.** A mechanism by which all instructions in execution are architecturally complete before beginning execution (appearing to begin execution) of the next instruction. Similar to context synchronization but doesn't force the contents of the instruction buffers to be deleted and refetched.

**Exponent.** In the binary representation of a floating-point number, the exponent is the component that normally signifies the integer power to which the value two is raised in determining the value of the represented number. *See also* Biased exponent.

---

**F** **Fall-through (branch fall-through)**—A not-taken branch. On the MPC750, fall-through branch instructions are removed from the instruction stream at dispatch. That is, these instructions are allowed to fall through the instruction queue via the dispatch mechanism, without either being passed to an execution unit and or given a position in the completion queue.

**Fetch.** Retrieving instructions from either the cache or main memory and placing them into the instruction queue.

**Floating-point register (FPR).** Any of the 32 registers in the floating-point register file. These registers provide the source operands and destination results for floating-point instructions. Load instructions move data from memory to FPRs and store instructions move data from FPRs to memory. The FPRs are 64 bits wide and store floating-point values in double-precision format

**Flush.** An operation that causes a modified cache block to be invalidated and the data to be written to memory.

**Fraction.** In the binary representation of a floating-point number, the field of the *significand* that lies to the right of its implied binary point.

---

## G

**General-purpose register (GPR).** Any of the 32 registers in the general-purpose register file. These registers provide the source operands and destination results for all integer data manipulation instructions. Integer load instructions move data from memory to GPRs and store instructions move data from GPRs to memory.

**Guarded.** The guarded attribute pertains to out-of-order execution. When a page is designated as guarded, instructions and data cannot be accessed out-of-order.

---

## H

**Harvard architecture.** An architectural model featuring separate caches for instruction and data.

**Hashing.** An algorithm used in the *page table* search process.

---

## I

**IEEE 754.** A standard written by the Institute of Electrical and Electronics Engineers that defines operations and representations of binary floating-point numbers.

**Illegal instructions.** A class of instructions that are not implemented for a particular PowerPC processor. These include instructions not defined by the PowerPC architecture. In addition, for 32-bit implementations, instructions that are defined only for 64-bit implementations are considered to be illegal instructions. For 64-bit implementations instructions that are defined only for 32-bit implementations are considered to be illegal instructions.

**Implementation.** A particular processor that conforms to the PowerPC architecture, but may differ from other architecture-compliant implementations for example in design, feature set, and implementation of *optional* features. The PowerPC architecture has many different implementations.

**Imprecise exception.** A type of *synchronous exception* that is allowed not to adhere to the precise exception model (*see* Precise exception). The PowerPC architecture allows only floating-point exceptions to be handled imprecisely.

**Instruction queue.** A holding place for instructions fetched from the current instruction stream.

**Integer unit.** A functional unit in the MPC750 responsible for executing integer instructions.

**In-order.** An aspect of an operation that adheres to a sequential model. An operation is said to be performed in-order if, at the time that it is performed, it is known to be required by the sequential execution model. *See* Out-of-order.

**Instruction latency.** The total number of clock cycles necessary to execute an instruction and make ready the results of that instruction.

**Interrupt.** An *asynchronous exception*. On PowerPC processors, interrupts are a special case of exceptions. *See also* asynchronous exception.

**Invalid state.** State of a cache entry that does not currently contain a valid copy of a cache block from memory.

---

## K

**Key bits.** A set of key bits referred to as Ks and Kp in each segment register and each BAT register. The key bits determine whether supervisor or user programs can access a *page* within that *segment* or *block*.

**Kill.** An operation that causes a *cache block* to be invalidated.

---

## L

**L2 cache.** *See* Secondary cache.

**Least-significant bit (lsb).** The bit of least value in an address, register, data element, or instruction encoding.

**Least-significant byte (LSB).** The byte of least value in an address, register, data element, or instruction encoding.



**Little-endian.** A byte-ordering method in memory where the address  $n$  of a word corresponds to the *least-significant byte*. In an addressed memory word, the bytes are ordered (left to right) 3, 2, 1, 0, with 3 being the *most-significant byte*. See Big-endian.

---

## M

**MESI (modified/exclusive/shared/invalid).** *Cache coherency* protocol used to manage caches on different devices that share a memory system. Note that the PowerPC architecture does not specify the implementation of a MESI protocol to ensure cache coherency.

**Memory access ordering.** The specific order in which the processor performs load and store memory accesses and the order in which those accesses complete.

**Memory-mapped accesses.** Accesses whose addresses use the page or block address translation mechanisms provided by the MMU and that occur externally with the bus protocol defined for memory.

**Memory coherency.** An aspect of caching in which it is ensured that an accurate view of memory is provided to all devices that share system memory.

**Memory consistency.** Refers to agreement of levels of memory with respect to a single processor and system memory (for example, on-chip cache, secondary cache, and system memory).

**Memory management unit (MMU).** The functional unit that is capable of translating an *effective* (logical) *address* to a physical address, providing protection mechanisms, and defining caching methods.

**Modified state.** MEI state (M) in which one, and only one, caching device has the valid data for that address. The data at this address in external memory is not valid. See MESI.

**Most-significant bit (msb).** The highest-order bit in an address, registers, data element, or instruction encoding.

**Most-significant byte (MSB).** The highest-order byte in an address, registers, data element, or instruction encoding.

---

## N

**NaN.** An abbreviation for not a number; a symbolic entity encoded in floating-point format. There are two types of NaNs—signaling NaNs and quiet NaNs.

**No-op.** No-operation. A single-cycle operation that does not affect registers or generate bus activity.

**Normalization.** A process by which a floating-point value is manipulated such that it can be represented in the format for the appropriate precision (single- or double-precision). For a floating-point value to be representable in the single- or double-precision format, the leading implied bit must be a 1.

---

**O** **OEA (operating environment architecture).** The level of the architecture that describes PowerPC memory management model, supervisor-level registers, synchronization requirements, and the exception model. It also defines the time-base feature from a supervisor-level perspective. Implementations that conform to the PowerPC OEA also conform to the PowerPC UISA and VEA.

**Optional.** A feature, such as an instruction, a register, or an exception, that is defined by the PowerPC architecture but not required to be implemented.

**Out-of-order.** An aspect of an operation that allows it to be performed ahead of one that may have preceded it in the sequential model, for example, speculative operations. An operation is said to be performed out-of-order if, at the time that it is performed, it is not known to be required by the sequential execution model. *See* In-order.

**Out-of-order execution.** A technique that allows instructions to be issued and completed in an order that differs from their sequence in the instruction stream.

**Overflow.** An condition that occurs during arithmetic operations when the result cannot be stored accurately in the destination register(s). For example, if two 32-bit numbers are multiplied, the result may not be representable in 32 bits.

---

**P** **Packet.** A term used in the MPC750 with respect to direct-store operations.

**Page.** A region in memory. The OEA defines a page as a 4-Kbyte area of memory, aligned on a 4-Kbyte boundary.

**Page access history bits.** The *changed* and *referenced* bits in the PTE keep track of the access history within the page. The referenced bit is set by the MMU whenever the page is accessed for a read or write operation. The changed bit is set when the page is stored into. *See* Changed bit and Referenced bit.

**Page fault.** A page fault is a condition that occurs when the processor attempts to access a memory location that does not reside within a *page* not currently resident in *physical memory*. On PowerPC processors, a page fault exception condition occurs when a matching, valid *page table entry* (PTE[V] = 1) cannot be located.

**Page table.** A table in memory is comprised of *page table entries*, or PTEs. It is further organized into eight PTEs per PTEG (page table entry group). The number of PTEGs in the page table depends on the size of the page table (as specified in the SDR1 register).

**Page table entry (PTE).** Data structures containing information used to translate *effective address* to physical address on a 4-Kbyte page basis. A PTE consists of 8 bytes of information in a 32-bit processor and 16 bytes of information in a 64-bit processor.

**Physical memory.** The actual memory that can be accessed through the system's memory bus.

**Pipelining.** A technique that breaks operations, such as instruction processing or bus transactions, into smaller distinct stages or tenures (respectively) so that a subsequent operation can begin before the previous one has completed.

**Precise exceptions.** A category of exception for which the pipeline can be stopped so instructions that preceded the faulting instruction can complete, and subsequent instructions can be flushed and redispached after exception handling has completed. *See* Imprecise exceptions.

**Primary opcode.** The most-significant 6 bits (bits 0–5) of the instruction encoding that identifies the type of instruction. *See* Secondary opcode.

**Protection boundary.** A boundary between *protection domains*.

**Protection domain.** A protection domain is a segment, a virtual page, a BAT area, or a range of unmapped effective addresses. It is defined only when the appropriate relocate bit in the MSR (IR or DR) is 1.

---

## Q

**Quiesce.** To come to rest. The processor is said to quiesce when an exception is taken or a **sync** instruction is executed. The instruction stream is stopped at the decode stage and executing instructions are allowed to complete to create a controlled context for instructions that may be affected by out-of-order, parallel execution. *See* **Context synchronization**.

**Quiet NaN.** A type of *NaN* that can propagate through most arithmetic operations without signaling exceptions. A quiet NaN is used to represent the results of certain invalid operations, such as invalid arithmetic operations on infinities or on NaNs, when invalid. *See* Signaling NaN.

---

## R

**rA.** The **rA** instruction field is used to specify a GPR to be used as a source or destination.

**rB.** The **rB** instruction field is used to specify a GPR to be used as a source.

**rD.** The **rD** instruction field is used to specify a GPR to be used as a destination.

**rS.** The **rS** instruction field is used to specify a GPR to be used as a source.

**Real address mode.** An MMU mode when no address translation is performed and the *effective address* specified is the same as the physical address. The processor's MMU is operating in real address mode if its ability to perform address translation has been disabled through the MSR registers IR and/or DR bits.

**Record bit.** Bit 31 (or the Rc bit) in the instruction encoding. When it is set, updates the condition register (CR) to reflect the result of the operation.

**Referenced bit.** One of two *page history bits* found in each *page table entry* (PTE). The processor sets the *referenced bit* whenever the page is accessed for a read or write. *See also* Page access history bits.

**Register indirect addressing.** A form of addressing that specifies one GPR that contains the address for the load or store.

**Register indirect with immediate index addressing.** A form of addressing that specifies an immediate value to be added to the contents of a specified GPR to form the target address for the load or store.

**Register indirect with index addressing.** A form of addressing that specifies that the contents of two GPRs be added together to yield the target address for the load or store.

**Reservation.** The processor establishes a reservation on a *cache block* of memory space when it executes an **lwarx** instruction to read a memory semaphore into a GPR.

**RISC (reduced instruction set computing).** An *architecture* characterized by fixed-length instructions with nonoverlapping functionality and by a separate set of load and store instructions that perform memory accesses.

---

## S

**Secondary cache.** A cache memory that is typically larger and has a longer access time than the primary cache. A secondary cache may be shared by multiple devices. Also referred to as L2, or level-2, cache.

**Set (*v*).** To write a nonzero value to a bit or bit field; the opposite of *clear*. The term ‘set’ may also be used to generally describe the updating of a bit or bit field.

**Set (*n*).** A subdivision of a *cache*. Cacheable data can be stored in a given location in any one of the sets, typically corresponding to its lower-order address bits. Because several memory locations can map to the same location, cached data is typically placed in the set whose *cache block* corresponding to that address was used least recently. *See* Set-associative.

**Set-associative.** Aspect of cache organization in which the cache space is divided into sections, called *sets*. The cache controller associates a particular main memory address with the contents of a particular set, or region, within the cache.

**Signaling NaN.** A type of *NaN* that generates an invalid operation program exception when it is specified as arithmetic operands. *See* Quiet NaN.

**Significand.** The component of a binary floating-point number that consists of an explicit or implicit leading bit to the left of its implied binary point and a fraction field to the right.

**Simplified mnemonics.** Assembler mnemonics that represent a more complex form of a common operation.

**Slave.** The device addressed by a master device. The slave is identified in the address tenure and is responsible for supplying or latching the requested data for the master during the data tenure.

**Snooping.** Monitoring addresses driven by a bus master to detect the need for coherency actions.

**Snoop push.** Write-backs due to a snoop hit. The block will transition to an invalid or exclusive state.

**Split-transaction.** A transaction with independent request and response tenures.

**Split-transaction bus.** A bus that allows address and data transactions from different processors to occur independently.

**Static branch prediction.** Mechanism by which software (for example, compilers) can hint to the machine hardware about the direction a branch is likely to take.

**Superscalar machine.** A machine that can issue multiple instructions concurrently from a conventional linear instruction stream.

**Supervisor mode.** The privileged operation state of a processor. In supervisor mode, software, typically the operating system, can access all control registers and can access the supervisor memory space, among other privileged operations.

**Synchronization.** A process to ensure that operations occur strictly *in order*.  
*See* Context synchronization and Execution synchronization.

**Synchronous exception.** An *exception* that is generated by the execution of a particular instruction or instruction sequence. There are two types of synchronous exceptions, *precise* and *imprecise*.

**System memory.** The physical memory available to a processor.

---

## T

**Tenure.** A tenure consists of three phases: arbitration, transfer, termination. There can be separate address bus tenures and data bus tenures.

**TLB (translation lookaside buffer)** A cache that holds recently-used *page table entries*.

**Throughput.** The measure of the number of instructions that are processed per clock cycle.

**Transaction.** A complete exchange between two bus devices. A transaction is minimally comprised of an address tenure; one or more data tenures may be involved in the exchange.

**Transfer termination.** Signal that refers to both signals that acknowledge the transfer of individual beats (of both single-beat transfer and individual beats of a burst transfer) and to signals that mark the end of the tenure.

---

**U** **UIA (user instruction set architecture).** The level of the architecture to which user-level software should conform. The UIA defines the base user-level instruction set, user-level registers, data types, floating-point memory conventions and exception model as seen by user programs, and the memory and programming models.

**Underflow.** A condition that occurs during arithmetic operations when the result cannot be represented accurately in the destination register. For example, underflow can happen if two floating-point fractions are multiplied and the result requires a smaller *exponent* and/or mantissa than the single-precision format can provide. In other words, the result is too small to be represented accurately.

**User mode.** The operating state of a processor used typically by application software. In user mode, software can access only certain control registers and can access only user memory space. No privileged operations can be performed. Also referred to as problem state.

---

**V** **VEA (virtual environment architecture).** The level of the *architecture* that describes the memory model for an environment in which multiple devices can access memory, defines aspects of the cache model, defines cache control instructions, and defines the time-base facility from a user-level perspective. *Implementations* that conform to the PowerPC VEA also adhere to the UIA, but may not necessarily adhere to the OEA.

**Virtual address.** An intermediate address used in the translation of an *effective address* to a physical address.

**Virtual memory.** The address space created using the memory management facilities of the processor. Program access to virtual memory is possible only when it coincides with *physical memory*.

---

**W** **Word.** A 32-bit data element.

**Write-back.** A cache memory update policy in which processor write cycles are directly written only to the cache. External memory is updated only indirectly, for example, when a modified cache block is *cast out* to make room for newer data.

**Write-through.** A cache memory update policy in which all processor write cycles are written to both the cache and memory.





# INDEX

## A

$\overline{\text{AACK}}$  (address acknowledge) signal, 7-14  
 $\overline{\text{ABB}}$  (address bus busy) signal, 7-5, 8-8  
Address bus  
  address tenure, 8-7  
  address transfer  
     $A_n$ , 7-7  
     $\overline{\text{APE}}$ , 8-13  
     $\overline{\text{APn}}$ , 7-7  
  address transfer attribute  
     $\overline{\text{CI}}$ , 7-12  
     $\overline{\text{GBL}}$ , 7-13  
     $\overline{\text{TBST}}$ , 7-12, 8-14  
     $\overline{\text{TSIZn}}$ , 7-11, 8-13  
     $\overline{\text{TTn}}$ , 7-8, 8-13  
     $\overline{\text{WT}}$ , 7-13  
  address transfer start ( $\overline{\text{TS}}$ ), 7-6, 8-12  
  address transfer termination  
     $\overline{\text{AACK}}$ , 7-14  
     $\overline{\text{ARTRY}}$ , 7-14  
    terminating address transfer, 8-17  
  arbitration signals, 7-4, 8-8  
  bus parking, 8-11  
Address translation, *see* Memory management unit  
Addressing modes, 2-35  
Aligned data transfer, 8-15, 8-17  
Alignment  
  data transfers, 8-15  
  exception, 4-18  
  misaligned accesses, 2-29  
  rules, 2-29  
 $A_n$  (address bus) signals, 7-7  
 $\overline{\text{APE}}$  (address parity error) signal, 8-13  
 $\overline{\text{APn}}$  (address parity) signals, 7-7  
Arbitration, system bus, 8-10, 8-19  
Arithmetic instructions  
  floating-point, A-20  
  integer, A-17  
 $\overline{\text{ARTRY}}$  (address retry) signal, 7-14

## B

$\overline{\text{BG}}$  (bus grant) signal, 7-4, 8-8  
Block address translation  
  block address translation flow, 5-12  
  definition, 1-12

  registers  
    description, 2-5  
    initialization, 5-21  
    selection of block address translation, 5-9  
Boundedly undefined, definition, 2-33  
 $\overline{\text{BR}}$  (bus request) signal, 7-4, 8-8  
Branch fall-through, 6-18  
Branch folding, 6-18  
Branch instructions  
  address calculation, 2-53  
  condition register logical, 2-54, A-26  
  description, A-25  
  list of instructions, 2-54, A-25  
  system linkage, 2-55, 2-65, A-26  
  trap, 2-55, A-26  
Branch prediction, 6-1, 6-22  
Branch processing unit  
  branch instruction timing, 6-23  
  execution timing, 6-18  
  latency, branch instructions, 6-31  
  overview, 1-9  
Branch resolution  
  definition, 6-1  
  resource requirements, 6-30  
BTIC (branch target instruction cache), 6-9  
Burst data transfers  
  64-bit data bus, 8-15  
  transfers with data delays, timing, 8-32  
Bus arbitration, *see* Data bus  
Bus configurations, 8-34  
Bus interface unit (BIU), 3-2, 3-30  
Bus transactions and L1 cache, 3-22  
Byte ordering, 2-35

## C

Cache  
  bus interface unit, 3-2, 3-30  
  cache arbitration, 6-11  
  cache block, definition, 3-3  
  cache characteristics, 3-1  
  cache coherency  
    description, 3-5  
    overview, 3-25  
    reaction to bus operations, 3-26  
  cache control, 3-13

# INDEX

- cache control instructions
    - bus operations, 3-24
    - cache control, 3-13
    - dcbi, 2-66
    - dcbt, 2-63
  - cache hit, 6-11
  - cache integration, 3-2
  - cache management instructions, A-27
  - cache miss, 6-14
  - cache operations
    - cache block push operations, 9-4
    - data cache transactions, 3-22
    - instruction cache block fill, 3-21
    - load/store operations, processor initiated, 3-10
    - operations, 3-18
    - overview, 3-1, 8-2
    - snoop response to bus transactions, 3-26
  - cache unit overview, 3-3
  - cache-inhibited accesses (I bit), 3-6
  - data cache configuration, 3-3
  - dcbf/dcbst execution, 9-4
  - icbi, 9-4
  - instruction cache configuration, 3-4
  - instruction cache throttling, 10-10
  - L1 cache and bus transactions, 3-22
  - L2 interface
    - cache configuration, 9-2
    - cache global invalidation, 9-7
    - cache initialization, 9-6
    - cache testing, 9-8
    - clock configuration, 9-9
    - dcbi, 9-4
    - eieio, 9-4
    - L2 cache considerations, 6-15
    - L2 cache interface signals, 7-25
    - operation, 9-2
    - overview, 9-1
    - SRAM timing examples, 9-9
    - stwx. execution, 9-4
    - sync, 9-4
  - load/store operations, processor initiated, 3-10
  - PLRU replacement, 3-19
  - stwx. execution, 9-4
  - Changed (C) bit maintenance recording, 5-12, 5-23
  - Checkstop
    - signal, 7-22, 8-35
    - state, 4-16
  - $\overline{CI}$  (cache inhibit) signal, 7-12
  - $\overline{CKSTP\_IN/CKSTP\_OUT}$  (checkstop input/output) signals, 7-22
  - Classes of instructions, 2-32
  - Clean block operation, 3-26
  - CLK\_OUT signal, 7-29
  - Clock signals
    - PLL\_CFGn, 7-30
    - SYSCLK, 7-29
  - Compare instructions
    - floating-point, A-21
    - integer, A-18
  - Completion
    - completion unit resource requirements, 6-30
    - considerations, 6-16
    - definition, 6-1
  - Context synchronization, 2-36
  - Conventions, xxxiii, xxxvii, 6-1
  - COP/scan interface, 8-37
  - Copy-back mode, 6-27
  - CR (condition register)
    - CR logical instructions, 2-54, A-26
    - CR, description, 2-3
  - CTR register, 2-4
- ## D
- DABR (data address breakpoint register), 2-7
  - DAR (data address register), 2-6
  - Data bus
    - arbitration signals, 7-15, 8-8
    - bus arbitration, 8-19
    - data tenure, 8-7
    - data transfer, 7-17, 8-21
    - data transfer termination, 7-19, 8-22
  - Data cache
    - block push operation, 3-22
    - configuration, 3-3
    - DCFI, DCE, DLOCK bits, 3-13
    - organization, 3-4
  - Data organization in memory, 2-28
  - Data transfers
    - alignment, 8-15
    - burst ordering, 8-15
    - eciwx and ecowx instructions, alignment, 8-17
    - operand conventions, 2-28
    - signals, 8-21
  - $\overline{DBB}$  (data bus busy) signal, 7-16, 8-8, 8-20
  - $\overline{DBDIS}$  (data bus disable) signal, 7-19
  - $\overline{DBG}$  (data bus grant) signal, 7-15, 8-8
  - $\overline{DBWO}$  (data bus write only) signal, 7-16, 8-8, 8-21, 8-37
  - dcbi, 2-66
  - dcbt, 2-63
  - DEC (decrementer register), 2-7
  - Decrementer exception, 4-19
  - Defined instruction class, 2-33
  - DHn/DLn (data bus) signals, 7-17
  - Dispatch
    - considerations, 6-16
    - dispatch unit resource requirements, 6-30

# INDEX

DP<sub>n</sub> (data bus parity) signals, 7-18  
DRTRY (data retry) signal, 7-20, 8-22, 8-25  
DSI exception, 4-17  
DSISR register, 2-6  
DTLB organization, 5-25  
Dynamic branch prediction, 6-9

## E

EAR (external access register), 2-7  
Effective address calculation  
  address translation, 5-4  
  branches, 2-35  
  loads and stores, 2-35, 2-46, 2-51  
eieio, 2-62  
EMI protocol, enforcing memory coherency, 8-26  
Enveloped high-priority cache block  
  push operation, 3-22  
Error termination, 8-26  
Event  
  counting, 11-11  
  selection, 11-12  
Exceptions  
  alignment exception, 4-18  
  decrementer exception, 4-19  
  definitions, 4-12  
  DSI exception, 4-17  
  enabling and disabling exceptions, 4-10  
  exception classes, 4-2  
  exception prefix (IP) bit, 4-13  
  exception priorities, 4-4  
  exception processing, 4-7, 4-10  
  external interrupt, 4-17  
  FP assist exception, 4-20  
  FP unavailable exception, 4-19  
  instruction-related exceptions, 2-37  
  ISI exception, 4-17  
  machine check exception, 4-14  
  performance monitor interrupt, 4-20  
  program exception, 4-18  
  register settings  
    MSR, 4-8, 4-12  
    SRR0/SRR1, 4-7  
  reset exception, 4-13  
  returning from an exception handler, 4-11  
  summary table, 4-3  
  system call exception, 4-19  
  system management interrupt, 4-22  
  terminology, 4-2  
  thermal management interrupt exception, 4-24  
Execution synchronization, 2-36  
Execution unit timing examples, 6-18  
Execution units, 1-10  
External control instructions, 2-64, 8-17, A-28

## F

Features, list, 1-4  
Finish cycle, definition, 6-2  
Floating-point model  
  FE0/FE1 bits, 4-10  
  FP arithmetic instructions, 2-42, A-20  
  FP assist exceptions, 4-20  
  FP compare instructions, 2-43, A-21  
  FP load instructions, A-24  
  FP move instructions, A-25  
  FP multiply-add instructions, 2-42, A-20  
  FP operand, 2-30  
  FP rounding/conversion instructions, 2-43, A-21  
  FP store instructions, 2-52, A-25  
  FP unavailable exception, 4-19  
  FPSCR instructions, 2-44, A-21  
  IEEE-754 compatibility, 2-28  
  NI bit in FPSCR, 2-30  
Floating-point unit  
  execution timing, 6-24  
  latency, FP instructions, 6-34  
  overview, 1-10, 1-11  
Flush block operation, 3-26  
FPR<sub>n</sub> (floating-point registers), 2-3  
FPSCR (floating-point status and control register)  
  FPSCR instructions, 2-44, A-21  
  FPSCR register description, 2-3  
  NI bit, 2-29

## G

GBL (global) signal, 7-13  
GPR<sub>n</sub> (general-purpose registers), 2-3  
Guarded memory bit (G bit), 3-6

## H

HID<sub>n</sub> (hardware implementation-dependent) registers  
  HID0  
    description, 2-9  
    doze bit, 10-3  
    DPM enable bit, 10-2  
    nap bit, 10-4  
  HID1  
    description, 2-13  
    PLL configuration, 2-13, 7-30  
HRESET (hard reset) signal, 7-23, 8-35

## I

IABR (instruction address breakpoint register), 2-8  
ICTC (instruction cache throttling control)  
  register, 2-21, 10-11  
IEEE 1149.1-compliant interface, 8-37  
Illegal instruction class, 2-33

# INDEX

- Instruction cache
    - configuration, 3-4
    - instruction cache block fill operations, 3-21
    - organization, 3-5
  - Instruction cache throttling, 10-10
  - Instruction timing
    - examples
      - cache hit, 6-12
      - cache miss, 6-15
    - execution unit, 6-18
    - instruction flow, 6-8
    - memory performance considerations, 6-27
    - overview, 6-3
    - terminology, 6-1
  - Instructions
    - branch address calculation, 2-53
    - branch instructions, 6-9, 6-18, 6-20, A-25
    - cache control instructions, 9-4
    - cache management instructions, A-27
    - classes, 2-32
    - condition register logical, 2-54, A-26
    - defined instructions, 2-33
    - external control instructions, 2-64, A-28
    - floating-point
      - arithmetic, 2-42, A-20
      - compare, 2-43, A-21
      - FP load instructions, A-24
      - FP move instructions, A-25
      - FP rounding and conversion, 2-43, A-21
      - FP status and control register, 2-44
      - FP store instructions, A-25
      - FPSCR instructions, A-21
      - multiply-add, 2-42, A-20
    - illegal instructions, 2-33
    - instruction cache throttling, 10-10
    - instruction flow diagram, 6-10
    - instruction serialization, 6-17
    - instruction serialization types, 6-17
    - instruction set summary, 2-31
    - instructions not implemented, B-1
    - integer
      - arithmetic, 2-38, A-17
      - compare, 2-39, A-18
      - load, A-22
      - load/store multiple, A-23
      - load/store string, A-24
      - load/store with byte reverse, A-23
      - logical, 2-40, A-18
      - rotate and shift, 2-40, A-19
      - store, A-23
    - integer instructions, 6-33
    - isync, 4-12
    - latency summary, 6-31
    - load and store
      - address generation
        - floating-point, 2-51
        - integer, 2-46
      - byte reverse instructions, 2-49, A-23
      - floating-point load, A-24
      - floating-point move, 2-44, A-25
      - floating-point store, 2-51
      - handling misalignment, 2-45
      - integer load, 2-46, A-22
      - integer multiple, 2-49
      - integer store, 2-47, A-23
      - memory synchronization, 2-59, 2-61, A-24
      - multiple instructions, A-23
      - string instructions, 2-50, A-24
    - lookaside buffer management instructions, A-28
    - memory control instructions, 2-62, 2-66
    - memory synchronization instructions, 2-59, 2-61, A-24
    - PowerPC instructions, list, A-1, A-9, A-17
    - processor control instructions, 2-56, 2-60, 2-65, A-27
    - reserved instructions, 2-34
    - rfi, 4-11
    - segment register manipulation instructions, A-28
    - SLB management instructions, A-28
    - stwcx., 4-12
    - support for lwarx/stwcx., 8-36
    - sync, 4-12
    - system linkage instructions, 2-55, A-26
    - TLB management instructions, A-28
    - tlbie, 2-67
    - tlbsync, 2-67
    - trap instructions, 2-55, A-26
  - INT (interrupt) signal, 7-21, 8-35
  - Integer arithmetic instructions, 2-38, A-17
  - Integer compare instructions, 2-39, A-18
  - Integer load instructions, 2-46, A-22
  - Integer logical instructions, 2-40, A-18
  - Integer rotate/shift instructions, 2-40, A-19
  - Integer store gathering, 6-26
  - Integer store instructions, 2-47, A-23
  - Integer unit execution timing, 6-24
  - Interrupt, external, 4-17
  - ISI exception, 4-17
  - isync, 2-62, 4-12
  - ITLB organization, 5-25
- ## K
- Kill block operation, 3-26

# INDEX

## L

- L1/L2 interface operation, *see* Cache
- L2ADDR $n$  (L2 address) signals, 7-25
- L2CE (L2 chip enable) signals, 7-26
- L2CLK\_OUTA (L2 clock out A) signal, 7-27
- L2CLK\_OUTB (L2 clock out B) signal, 7-27
- L2CR (L2 cache control register), 2-24, 9-4
- L2DATA $n$  (L2 data) signals, 7-25
- L2DP $n$  (L2 data parity) signals, 7-26
- L2SYNC\_IN (L2 sync in) signal, 7-28
- L2SYNC\_OUT (L2 sync out) signal, 7-27
- L2WE (L2 write enable) signal, 7-27
- L2ZZ (L2 low-power mode enable) signal, 7-28
- Latency, 8-21
  - definition, 6-2
  - load/store instructions, 6-36
- Load/store
  - address generation, 2-46
  - byte reverse instructions, 2-49, A-23
  - execution timing, 6-25
  - floating-point load instructions, 2-51, A-24
  - floating-point move instructions, 2-44, A-25
  - floating-point store instructions, 2-52, A-25
  - handling misalignment, 2-45
  - integer load instructions, 2-46, A-22
  - integer store instructions, 2-47, A-23
  - latency, load/store instructions, 6-36
  - load/store multiple instructions, 2-49, A-23
  - memory synchronization instructions, A-24
  - string instructions, 2-50, A-24
- Logical address translation, 5-1
- Logical instructions, integer, A-18
- Lookaside buffer management instructions, A-28
- LR (link register), 2-4
- lwarx/stwxc. support, 8-36

## M

- Machine check exception, 4-14
- MCP (machine check interrupt) signal, 7-21
- MEI protocol
  - hardware considerations, 3-9
  - read operations, 3-23
  - state transitions, 3-32
- Memory accesses, 8-4
- Memory coherency bit (M bit)
  - cache interactions, 3-6
  - timing considerations, 6-27
- Memory control instructions
  - description, 2-62, 2-66
  - segment register manipulation, A-28
  - SLB management, A-28

- Memory management unit
  - address translation flow, 5-12
  - address translation mechanisms, 5-9, 5-12
  - block address translation, 5-9, 5-12, 5-21
  - block diagrams
    - 32-bit implementations, 5-6
    - DMMU, 5-8
    - IMMU, 5-7
  - exceptions summary, 5-16
  - features summary, 5-3
  - implementation-specific features, 5-2
  - instructions and registers, 5-18
  - memory protection, 5-11
  - overview, 1-12, 5-2
  - page address translation, 5-9, 5-12, 5-28
  - page history status, 5-12, 5-21–5-25
  - real addressing mode, 5-12, 5-20
  - segment model, 5-21
- Memory synchronization instructions, 2-59, 2-61, A-24
- Misalignment
  - misaligned accesses, 2-29
  - misaligned data transfer, 8-17
- MMCR $n$  (monitor mode control registers), 2-14, 4-20, 11-3
- MSR (machine state register)
  - bit settings, 4-8
  - FE0/FE1 bits, 4-10
  - IP bit, 4-13
  - PM bit, 2-4
  - RI bit, 4-11
  - settings due to exception, 4-12
- Multiple-precision shifts, 2-41
- Multiply-add instructions, A-20

## N

- No-DRTRY mode, 8-34

## O

- OEA
  - exception mechanism, 4-1
  - memory management specifications, 5-1
  - registers, 2-4
- Operand conventions, 2-28
- Operand placement and performance, 6-25
- Operating environment architecture (OEA), xxviii, 1-21
- Operations
  - bus operations caused by cache control instructions, 3-24
  - cache operations, 3-1
  - data cache block push, 3-22
  - enveloped high-priority cache block push, 3-22

# INDEX

- instruction cache block fill, 3-21
- read operation, 3-23
- response to snooped bus transactions, 3-26
- single-beat write operations, 8-29

Optional instructions, A-41

Overview, 1-1

## P

Page address translation

- definition, 1-12
- page address translation flow, 5-28
- page size, 5-21
- selection of page address translation, 5-9, 5-16
- TLB organization, 5-26

Page history status

- cases of dcbt and dcbtst misses, 5-22
- R and C bit recording, 5-12, 5-21–5-25

Page table updates, 5-34

Performance monitor

- event counting, 11-11
- event selecting, 11-12
- performance monitor interrupt, 4-20, 11-2
- performance monitor SPRs, 11-3
- purposes, 11-1
- registers, 11-3
- warnings, 11-12

Phase-locked loop, 10-3

Physical address generation, 5-1

Pipeline

- instruction timing, definition, 6-2
- pipeline stages, 6-7
- pipelined execution unit, 6-4
- superscalar/pipeline diagram, 6-5

PMC1 and PMC2 registers, 1-26

PMC $n$  (performance monitor counter)

- registers, 2-16, 4-20, 11-6

Power and ground signals, 7-30

Power management

- doze mode, 10-3
- doze, nap, sleep, DPM bits, 2-13
- dynamic power management, 10-1
- full-power mode, 10-2
- nap mode, 10-3
- programmable power modes, 10-2
- sleep mode, 10-4
- software considerations, 10-5

PowerPC architecture

- instruction list, A-1, A-9, A-17
- operating environment architecture (OEA), xxviii, 1-21
- user instruction set architecture (UISA), xxviii, 1-21
- virtual environment architecture (VEA), xxviii, 1-21

Priorities, exception, 4-4

Process switching, 4-12

Processor control instructions, 2-56, 2-60, 2-65, A-27

Program exception, 4-18

Program order, definition, 6-2

Programmable power states

- doze mode, 10-3
- full-power mode with DPM enabled/disabled, 10-2
- nap mode, 10-3
- sleep mode, 10-4

Protection of memory areas

- no-execute protection, 5-14
- options available, 5-11
- protection violations, 5-16

PVR (processor version register), 2-5

## Q

$\overline{QACK}$  (quiescent acknowledge) signal, 7-24

$\overline{QREQ}$  (quiescent request) signal, 7-24, 8-35

Qualified bus grant, 8-8

Qualified data bus grant, 8-20

## R

Read operation, 3-26

Read-atomic operation, 3-26

Read-with-intent-to-modify operation, 3-26

Real address (RA), *see* Physical address generation

Real addressing mode (translation disabled)

- data accesses, 5-12, 5-20
- instruction accesses, 5-12, 5-20
- support for real addressing mode, 5-2

Referenced (R) bit maintenance recording, 5-12, 5-22, 5-31

Registers

- implementation-specific
- ICTC, 2-21, 10-11
- L2CR, 2-24, 9-4
- MMCR0, 2-14, 4-20, 11-3
- MMCR1, 2-16, 4-20, 11-5
- SIA, 2-20, 4-21
- THRM $n$ , 2-21, 10-7
- UMMCR0, 2-15
- UMMCR1, 2-16
- UPMC $n$ , 2-20
- USIA, 2-20

MPC750 programming model, 2-2

performance monitor registers, 2-14

reset settings, 2-27

SPR encodings, 2-58

supervisor-level

- BAT registers, 2-5
- DABR, 2-7
- DAR, 2-6

# INDEX

- DEC, 2-7
- DSISR, 2-6
- EAR, 2-7
- HIDO, 2-9, 10-2
- HID1, 2-13
- IABR, 2-8
- ICTC, 2-21, 10-11
- L2CR, 2-24, 9-4
- MMCR0, 2-14, 4-20, 11-3
- MMCR1, 2-16, 4-20, 11-5
- MSR, 2-4
- PMC1 and PMC2, 1-26
- PMCN, 2-16, 4-20
- PVR, 2-5
- SDR1, 2-5
- SIA, 2-20, 4-21, 11-10
- SPRGn, 2-6
- SPRs for performance monitor, 11-1
- SRn, 2-5
- SRR0/SRR1, 2-6
- THRMn, 2-21, 10-7
- time base (TB), 2-6
- user-level
  - CR, 2-3
  - CTR, 2-4
  - FPRn, 2-3
  - FPSCR, 2-3
  - GPRn, 2-3
  - LR, 2-4
  - time base (TB), 2-4, 2-6
  - UMMCR0, 2-15
  - UMMCR1, 2-16
  - UPMCn, 2-20
  - USIA, 2-20, 11-10
  - XER, 2-3
- Rename buffer, definition, 6-2
- Rename register operation, 6-17
- Reservation station, definition, 6-2
- Reserved instruction class, 2-34
- Reset
  - $\overline{\text{HRESET}}$  signal, 7-23, 8-35
  - reset exception, 4-13
  - $\overline{\text{SRESET}}$  signal, 7-23, 8-35
- Retirement, definition, 6-2
- rfi, 4-11
- Rotate/shift instructions, 2-40, A-19
- $\overline{\text{RSRV}}$  (reserve) signal, 7-24, 8-36
- S**
  - SDR1 register, 2-5
  - Segment registers
    - SR description, 2-5
    - SR manipulation instructions, 2-67, A-28
  - Segmented memory model, *see* Memory management unit
  - Serializing instructions, 6-17
  - Shift/rotate instructions, 2-40, A-19
  - SIA (sampled instruction address) register, 2-20, 4-21, 11-10
  - Signals
    - $\overline{\text{AACK}}$ , 7-14
    - $\overline{\text{ABB}}$ , 7-5, 8-8
    - address arbitration, 7-4, 8-8
    - address transfer, 8-12
    - address transfer attribute, 8-13
    - An, 7-7
    - APn, 7-7
    - $\overline{\text{ARTRY}}$ , 7-14, 8-22
    - $\overline{\text{BG}}$ , 7-4, 8-8
    - $\overline{\text{BR}}$ , 7-4, 8-8
    - checkstop, 8-35
    - $\overline{\text{CI}}$ , 7-12
    - $\overline{\text{CKSTP\_IN}}$ , 7-22
    - $\overline{\text{CKSTP\_OUT}}$ , 7-22
    - CLK\_OUT, 7-29
    - configuration, 7-3
    - COP/scan interface, 8-37
    - data arbitration, 8-8, 8-19
    - data transfer termination, 8-22
    - DBB, 7-16, 8-8, 8-20
    - $\overline{\text{DBDIS}}$ , 7-19
    - DBG, 7-15, 8-8
    - $\overline{\text{DBW0}}$ , 7-16, 8-8, 8-21, 8-37
    - DHn/DLn, 7-17
    - DPn, 7-18
    - $\overline{\text{DRTRY}}$ , 7-20, 8-22, 8-25
    - $\overline{\text{GBL}}$ , 7-13
    - $\overline{\text{HRESET}}$ , 7-23
    - $\overline{\text{INT}}$ , 7-21, 8-35
    - L2 cache interface signals, 7-25
    - L2ADDRn, 7-25
    - $\overline{\text{L2CE}}$ , 7-26
    - L2CLK\_OUTA, 7-27
    - L2CLK\_OUTB, 7-27
    - L2DATAn, 7-25
    - L2DP, 7-26
    - L2SYNC\_IN, 7-28
    - L2SYNC\_OUT, 7-27
    - $\overline{\text{L2WE}}$ , 7-27
    - L2ZZ, 7-28
    - MCP, 7-21
    - PLL\_CFGn, 7-30
    - power and ground signals, 7-30
    - $\overline{\text{QACK}}$ , 7-24
    - $\overline{\text{QREQ}}$ , 7-24, 8-35
    - reset, 8-35
    - $\overline{\text{RSRV}}$ , 7-24, 8-36
    - SMI, 4-23, 7-21

# INDEX

- $\overline{\text{SRESET}}$ , 7-23, 8-35
- system quiesce control, 8-35
- $\overline{\text{TA}}$ , 7-19
- $\overline{\text{TBEN}}$ , 7-24
- $\overline{\text{TBST}}$ , 7-12, 8-14, 8-21
- $\overline{\text{TEA}}$ , 7-20, 8-22, 8-26
- $\overline{\text{TLBISYNC}}$ , 7-25
- transfer encoding, 7-9
- $\overline{\text{TS}}$ , 7-6
- $\text{TSIZ}_n$ , 7-11, 8-13
- $\text{TT}_n$ , 7-8, 8-13
- $\text{WT}$ , 7-13
- Single-beat transfer
  - reads with data delays, timing, 8-30
  - reads, timing, 8-28
  - termination, 8-22
  - writes, timing, 8-29
- SLB management instructions, A-28
- $\overline{\text{SMI}}$  (system management interrupt) signal, 4-23, 7-21
- Snooping, 3-25
- Split-bus transaction, 8-9
- $\text{SPRG}_n$  registers, 2-6
- $\overline{\text{SRESET}}$  (soft reset) signal, 7-23, 8-35
- $\text{SRR0/SRR1}$  (status save/restore registers)
  - description, 2-6
  - exception processing, 4-7
- Stage, definition, 6-2
- Stall, definition, 6-3
- Static branch prediction, 6-9, 6-22
- stwx., 4-12
- Superscalar, definition, 6-3
- sync, 4-12
- SYNC operation, 3-26
- Synchronization
  - context/execution synchronization, 2-36
  - execution of rfi, 4-11
  - memory synchronization instructions, 2-59, 2-61, A-24
- $\text{SYSCLK}$  (system clock) signal, 7-29
- System call exception, 4-19
- System linkage instructions, 2-55, 2-65, A-26
- System management interrupt, 4-22, 10-1
- System quiesce control signals ( $\overline{\text{QACK}}/\overline{\text{QREQ}}$ ), 8-35
- System register unit
  - execution timing, 6-27
  - latency, CR logical instructions, 6-32
  - latency, system register instructions, 6-31
- T**
- $\overline{\text{TA}}$  (transfer acknowledge) signal, 7-19
- Table search flow (primary and secondary), 5-31
- $\overline{\text{TBEN}}$  (time base enable) signal, 7-24
- $\text{TBL/TBU}$  (time base lower/upper) registers, 2-4, 2-6
- $\overline{\text{TBST}}$  (transfer burst) signal, 7-12, 8-14, 8-21
- $\overline{\text{TEA}}$  (transfer error acknowledge) signal, 7-20, 8-26
- Termination, 8-17, 8-22
- Thermal assist unit (TAU), 10-6
- Thermal management interrupt exception, 4-24
- $\text{THRM}_n$  (thermal management) registers, 2-21, 10-7
- Throughput, definition, 6-3
- Timing considerations, 6-7
- Timing diagrams, interface
  - address transfer signals, 8-12
  - burst transfers with data delays, 8-32
  - L2 cache SRAM timing, 9-9
  - single-beat reads, 8-28
  - single-beat reads with data delays, 8-30
  - single-beat writes, 8-29
  - single-beat writes with data delays, 8-31
  - use of  $\overline{\text{TEA}}$ , 8-33
  - using  $\overline{\text{DBWO}}$ , 8-37
- Timing, instruction
  - BPU execution timing, 6-18
  - branch timing example, 6-23
  - cache hit, 6-12
  - cache miss, 6-15
  - execution unit, 6-18
  - FPU execution timing, 6-24
  - instruction dispatch, 6-16
  - instruction flow, 6-8
  - instruction scheduling guidelines, 6-29
  - IU execution timing, 6-24
  - latency summary, 6-31
  - load/store unit execution timing, 6-25
  - overview, 6-3
  - SRU execution timing, 6-27
  - stage, definition, 6-2
- TLB
  - description, 5-25
  - invalidate (tlbie instruction), 5-27, 5-34
  - LRU replacement, 5-27
  - organization for ITLB and DTLB, 5-25
  - TLB miss and table search operation, 5-26, 5-30
- TLB invalidate
  - description, 5-27
  - TLB management instructions, 2-67, A-28
- TLB miss, effect, 6-28
- tlbie, 2-67
- $\overline{\text{TLBISYNC}}$  (TLBI sync) signal, 7-25
- tlbsync, 2-67
- Transactions, data cache, 3-22
- Transfer, 8-12, 8-21
- Trap instructions, 2-55
- $\overline{\text{TS}}$  (transfer start) signal, 7-6, 8-12
- $\text{TSIZ}_n$  (transfer size) signals, 7-11, 8-13
- $\text{TT}_n$  (transfer type) signals, 7-8, 8-13



# INDEX

## U

- UMMCR0 (user monitor mode control register 0), 2-15, 11-5
- UMMCR1 (user monitor mode control register 1), 2-16, 11-6
- UPMC $n$  (user performance monitor counter) registers, 2-20, 11-10
- Use of  $\overline{\text{TEA}}$ , timing, 8-33
- User instruction set architecture (UISA)
  - description, xxviii, 1-21
  - registers, 2-3
- USIA (user sampled instruction address) register, 2-20, 11-10
- Using  $\overline{\text{DBWO}}$ , timing, 8-37

## V

- Virtual environment architecture (VEA), xxviii, 1-21

## W

- WIMG bits, 8-26
- Write-back, definition, 6-3
- Write-through mode (W bit) cache interactions, 3-6
- Write-with-atomic operation, 3-26
- Write-with-flush operation, 3-26
- Write-with-kill operation, 3-26
- $\overline{\text{WT}}$  (write-through) signal, 7-13

## X

- XER register, 2-3



Overview	1
MPC750 Processor Programming Model	2
L1 Instruction and Data Cache Operation	3
Exceptions	4
Memory Management	5
Instruction Timing	6
Signal Descriptions	7
System Interface Operation	8
L2 Cache Interface Operation	9
Power and Thermal Management	10
Performance Monitor	11
PowerPC Instruction Set Listings	A
Instructions Not Implemented	B
Glossary of Terms and Abbreviations	GLO
Index	IND

<b>1</b>	Overview
<b>2</b>	MPC750 Processor Programming Model
<b>3</b>	L1 Instruction and Data Cache Operation
<b>4</b>	Exceptions
<b>5</b>	Memory Management
<b>6</b>	Instruction Timing
<b>7</b>	Signal Descriptions
<b>8</b>	System Interface Operation
<b>9</b>	L2 Cache Interface Operation
<b>10</b>	Power and Thermal Management
<b>11</b>	Performance Monitor
<b>A</b>	PowerPC Instruction Set Listings
<b>B</b>	Instructions Not Implemented
<b>GLO</b>	Glossary of Terms and Abbreviations
<b>IND</b>	Index

# Attention!

This book is a companion to the *PowerPC Microprocessor Family: The Programming Environments*, referred to as *The Programming Environments Manual*. Note that the companion *Programming Environments Manual* exists in two versions. See the Preface for a description of the following two versions:

- *PowerPC Microprocessor Family: The Programming Environments*, Rev 1  
Order #: MPCFPE/AD
- *PowerPC Microprocessor Family: The Programming Environments for 32-Bit Microprocessors*, Rev 1  
Order #: MPCFPE32B/AD

Call the Motorola LDC at 1-800-441-2447 (website: <http://ldc.nmd.com>) or contact your local sales office to obtain copies.